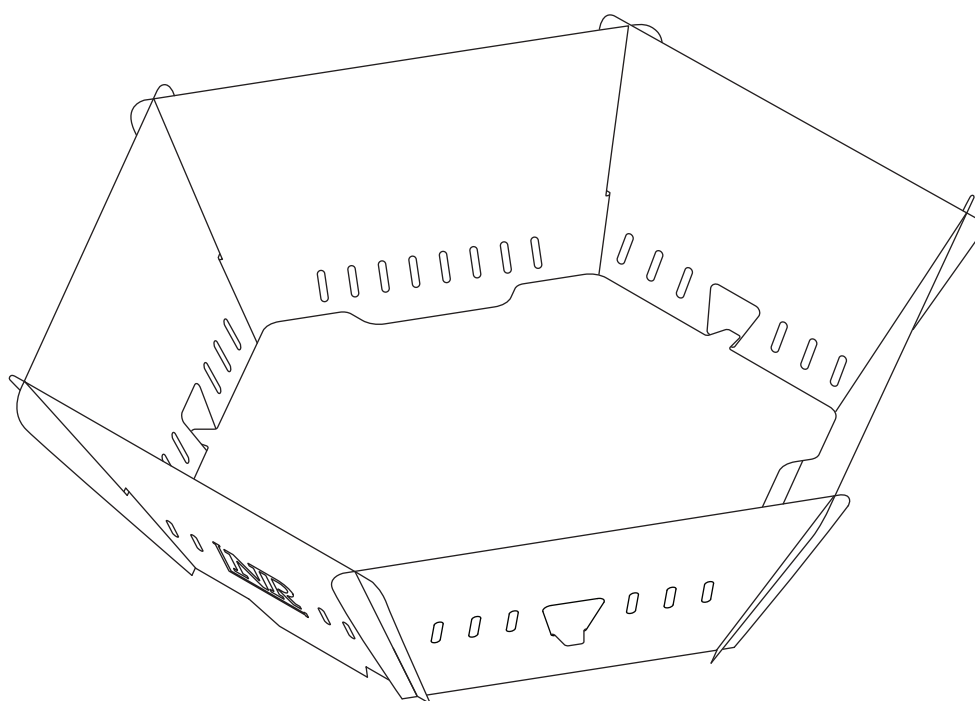


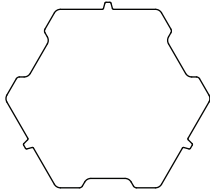


## Flat Pack Fire Pit NR-SFP30

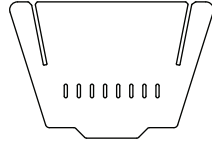
Assembly Instructions



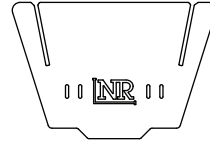
## Components



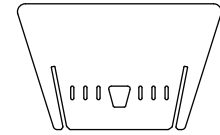
Base  
Qty 1



Lower Plate  
Qty 2



Lower Plate  
with Logo  
Qty 1

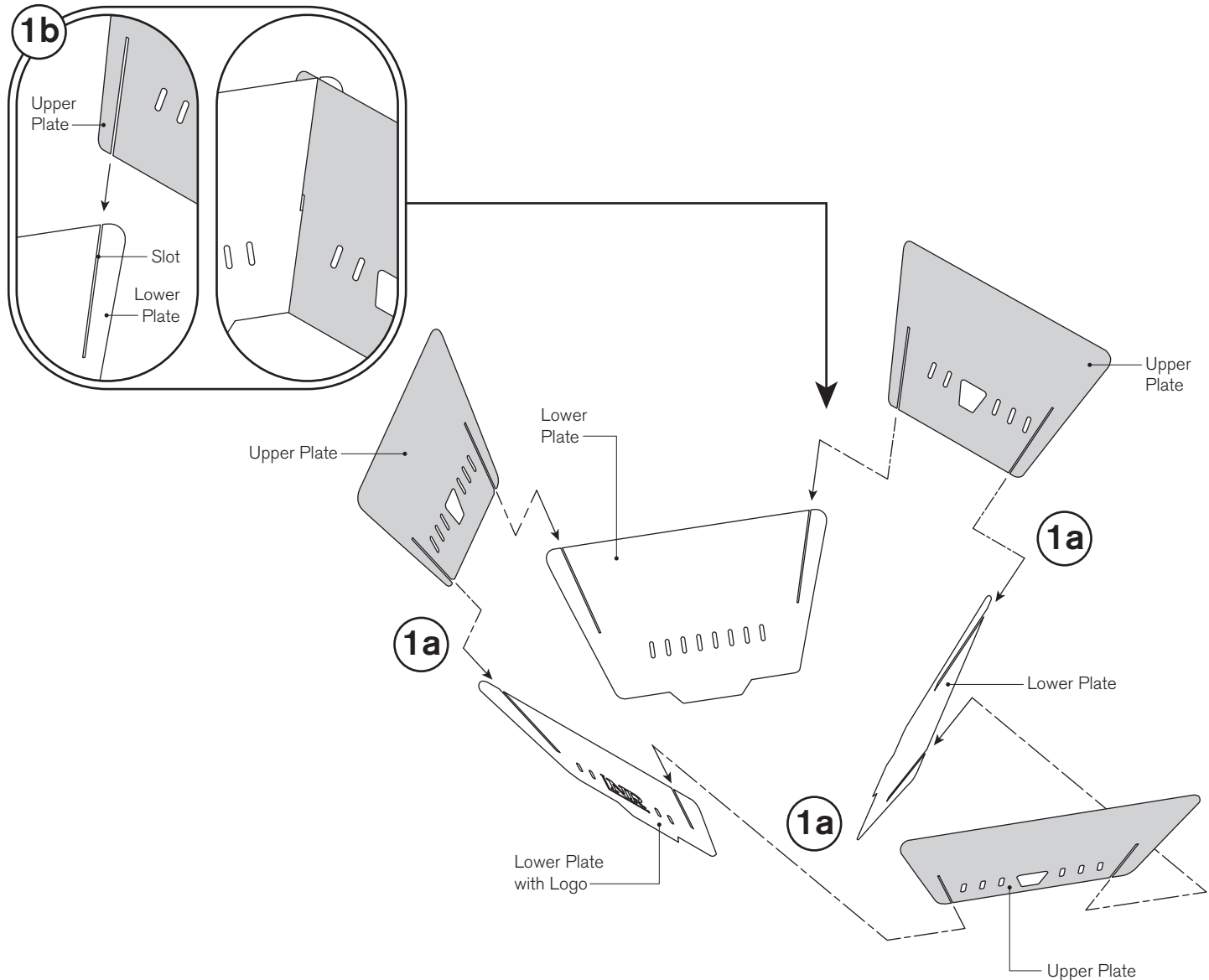


Upper Plate  
Qty 3

## Care and Preservation

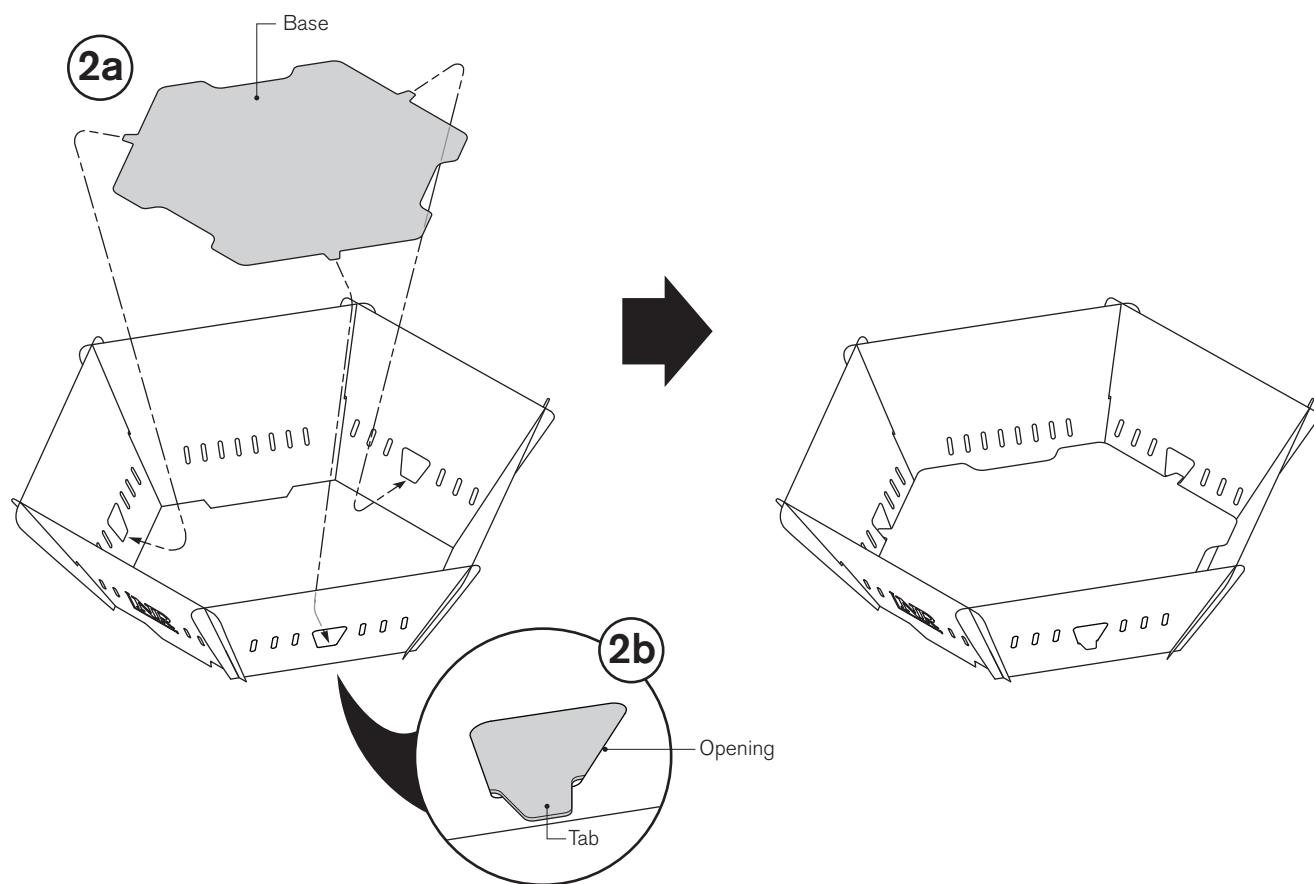
- The fire pit is natural hot rolled steel and will patina over time as it is exposed to the elements.
- Using a product such as WD-40 Corrosion Inhibitor will prevent major rust and corrosion
- Ease of assembly and disassembly should be considered to store when not in use.

- 1** Align the three (3) upper plates with the three (3) lower plates(1a). Place slot in each upper plate into slot in each lower plate (1b).



2

Install base (2a) making sure tabs are inserted into openings (2b).



**DO NOT** set fire pit directly over deck or dock surface.

# Starting a Fire

The more traditional way of starting a fire is easy but can be time-consuming. This is the way that some would have learned from their parents or even during scouts. If you haven't learned this skill, let us show you the way.

3a) Start first by gathering dry firewood (the drier the better).

- Tinder (pine needles, birch or cedar bark shavings, cattail fluff, or even cotton balls and dryer lint)
- Kindling (small sticks, twigs, and wood splinters - approximately 1 inch in diameter)
- Firewood (seasoned logs or slab wood)

You don't have to be a scout to get a fire going, but we can surely help you accomplish this task!

3b) Begin by making a generous pile of tinder.

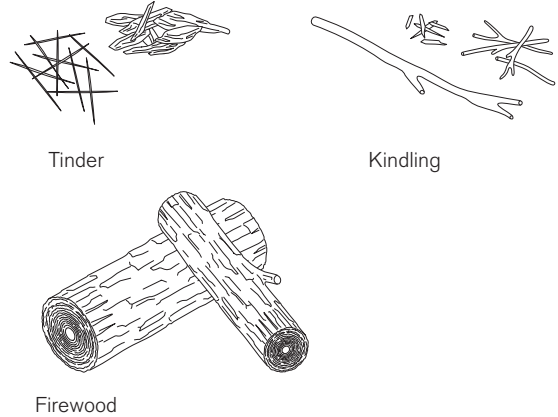
3c) Stack the kindling over this top (smaller pieces first), pyramid style, leaving enough room to light the tinder within.

3d) Using a long-stemmed match, light the dry brush. (You can experiment with more primitive forms of fire lighting, such as flint or fire sticks, but we feel a match is the most practical in a backyard setting.)

3e) Add the larger pieces of kindling until you have a nice blaze going, and then add logs or slabs.

You'll need to add more wood as the evening goes on to maintain your fire. You may want to consider using long arm fire gloves or log grabbers to safely add your fire logs. This traditional method of lighting a fire can be very rewarding and enjoyable for many people, giving them a sense of a true great-outdoors experience!

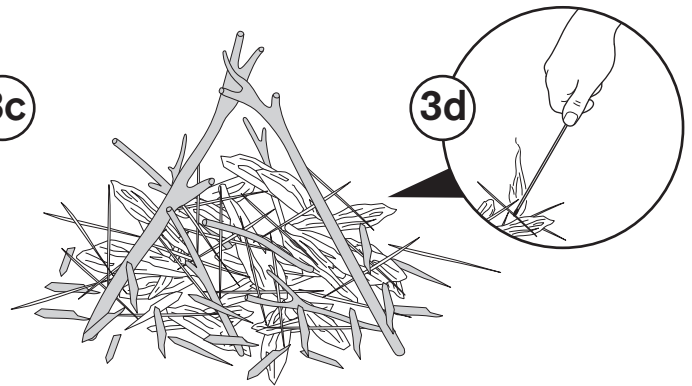
3a



3b



3c



3e

