

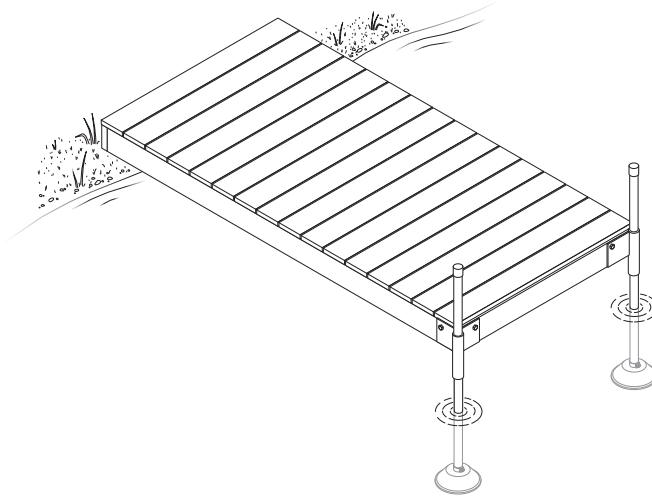


Tommy Docks
 8608 Progress Way, Weston, WI 54476
 Phone : 715-842-3804
 Toll Free : 866-675-1880
 Fax : 715-842-3420

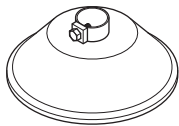
Installation of Tommy Docks

Classic-All Cedar Complete Dock Package(s)

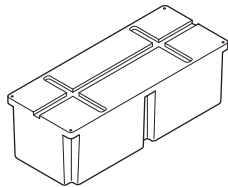
- Best Value
- Classic style
- Sustainably sourced



Installation Components



Foot Pad



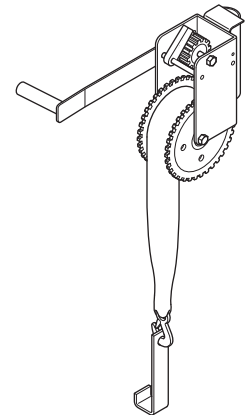
Suggested Use - AP 12
 Floatation Aid



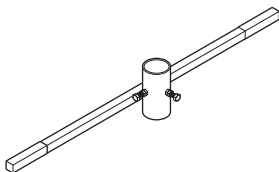
Safety Cap



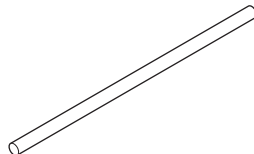
Auger Foot
 (if applicable)



Suggested Use -
 Winch Leveling System -
 TD-10072



Suggested Use -
 Auger Wrench TD-10085



Dock Post

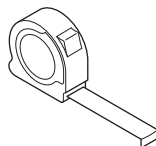


L-Pin

Tools



Power Drill



Tape Measure

Online Tools

Use the QR Code to View Online
 Instructions and Video Guides

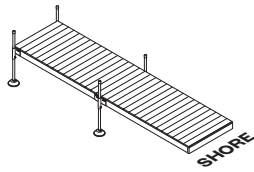


Cedar Dock Kit Configurations

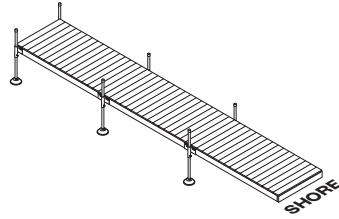
Dock assembly is the same for whatever configuration you are using. Simply repeat the assembly process depending on the number of docks you need. Assembly for all configurations begins on page 4.



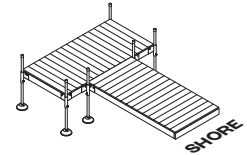
8' STRAIGHT DOCK
(1 Section)



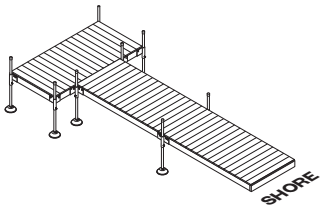
16' STRAIGHT DOCK
(2 Sections)



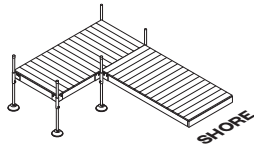
24' STRAIGHT DOCK
(3 Sections)



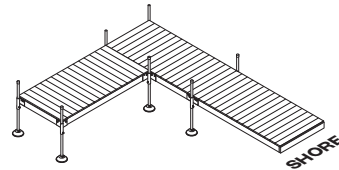
12' T-SHAPED DOCK
(2 Sections)



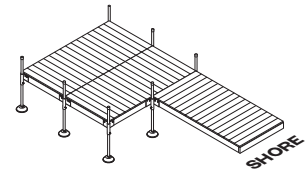
20' T-SHAPED DOCK
(3 Sections)



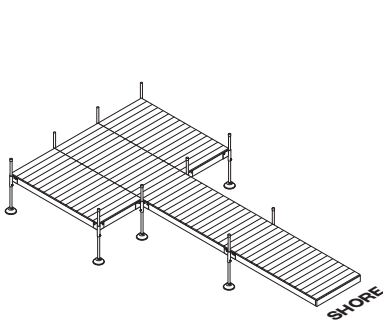
12' L-SHAPED DOCK
(2 Sections)



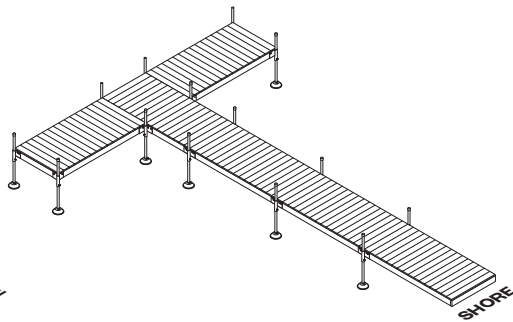
16' L-SHAPED DOCK
(3 Sections)



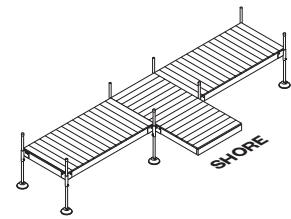
16' PLATFORM DOCK
(3 Sections)



24' PLATFORM DOCK
(5 Sections)

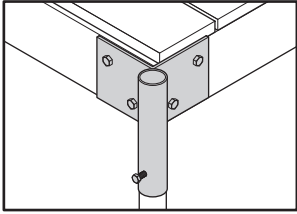


24' T-SHAPED DOCK
(5 Sections)



8' T-SHAPED DOCK
(3 Sections)

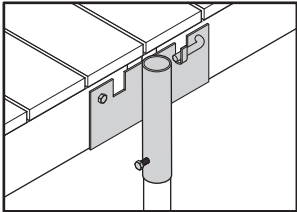
Bracket Installation



A-Bracket (outside corner)

A-Bracket (outside corner)

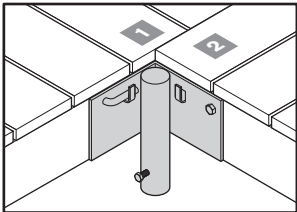
1. Position A-Bracket (refer to dock layout) making sure that both dock frames are seated completely in the saddle of the A-Bracket.
2. Drill two (2) 1/2" diameter holes.
3. Install two (2) 1/2" x 2-1/4" bolts, washer and nuts. The nuts are positioned on the inside of the dock's frame.



B-Bracket (straight side)

B-Bracket (straight side)

1. Position B-Bracket (refer to dock layout) making sure that dock's frame is seated completely in the saddle of the B-Bracket.
2. Drill two (2) 1/2" diameter holes.
Note: Do not attempt to drill pin assembly hole in next dock section until your dock is completely installed on water and leveled.
3. Install one (1) 1/2"-13 x 2-1/4" bolt, washer and nut. The nut is positioned on the inside of the dock's frame.

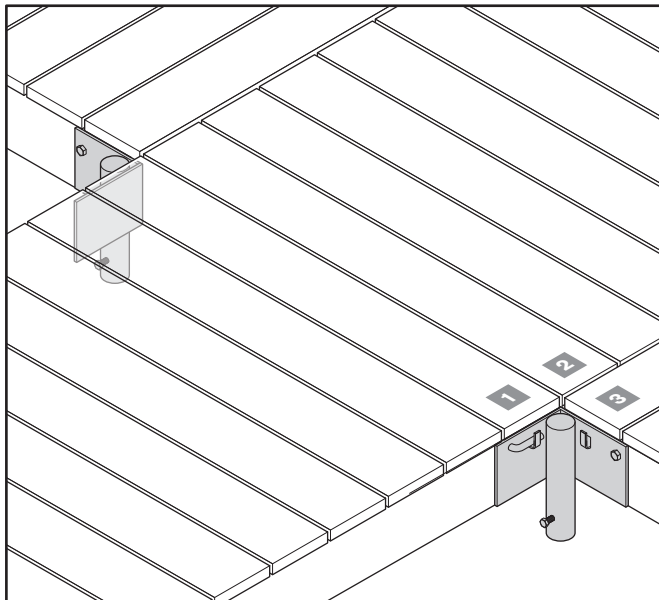


C-Bracket (2-way inside corner)

C-Bracket (2-way inside corner)

For connecting two dock sections

1. Position C-Bracket (refer to dock layout) making sure that dock's frame is seated completely in the saddle of the C-Bracket. Header frame must not protrude past the angle plate or the next dock section will hit.
2. Drill one (1) 1/2" diameter hole.
Note: Do not attempt to drill pin assembly hole in next dock section until your dock is completely installed on water and leveled.
3. Install one (1) 1/2"-13 x 2-1/4" bolt, washer and nut. The nut is positioned on the inside of the dock's frame.



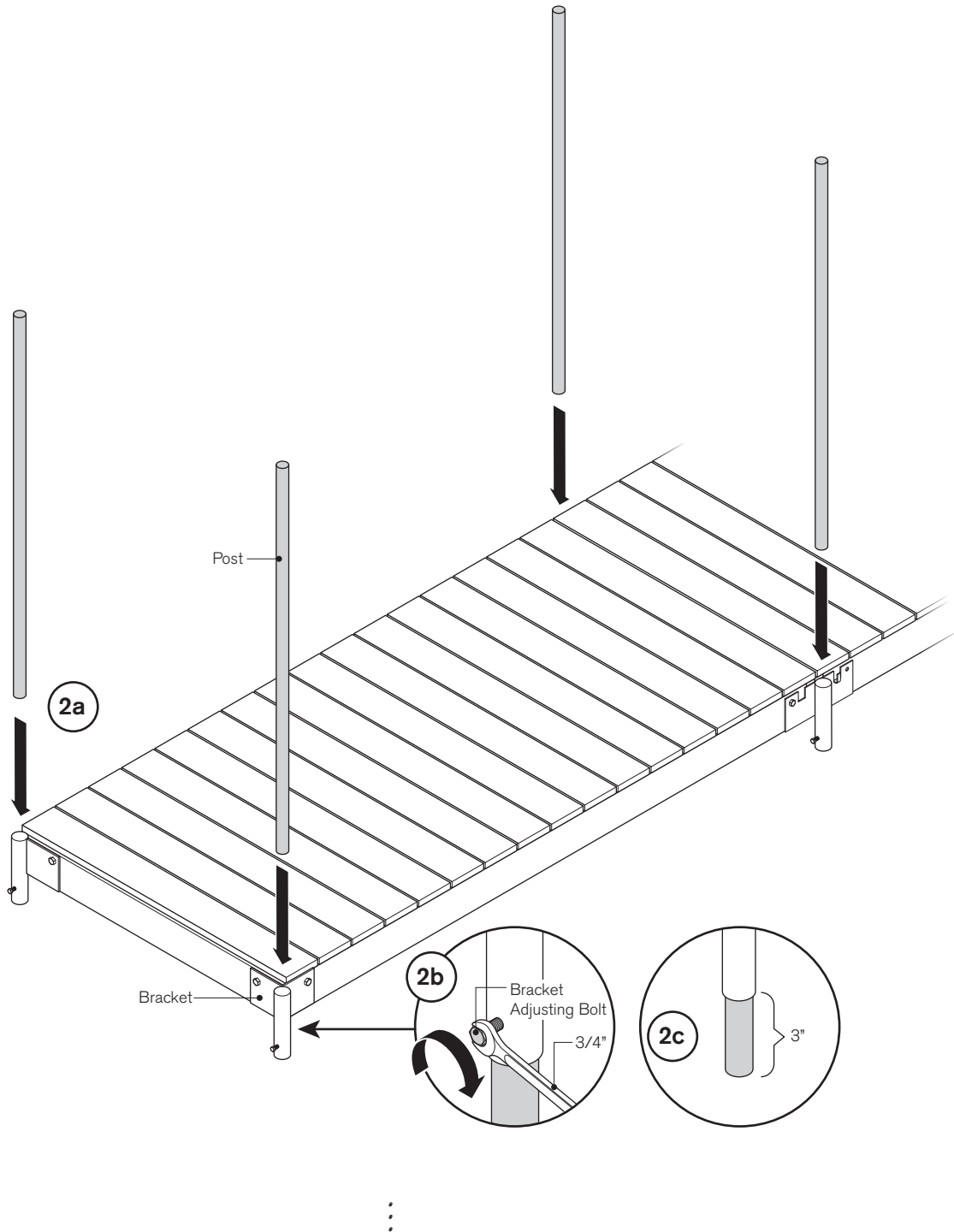
D-Bracket (3-way inside corner)

For connecting three dock sections

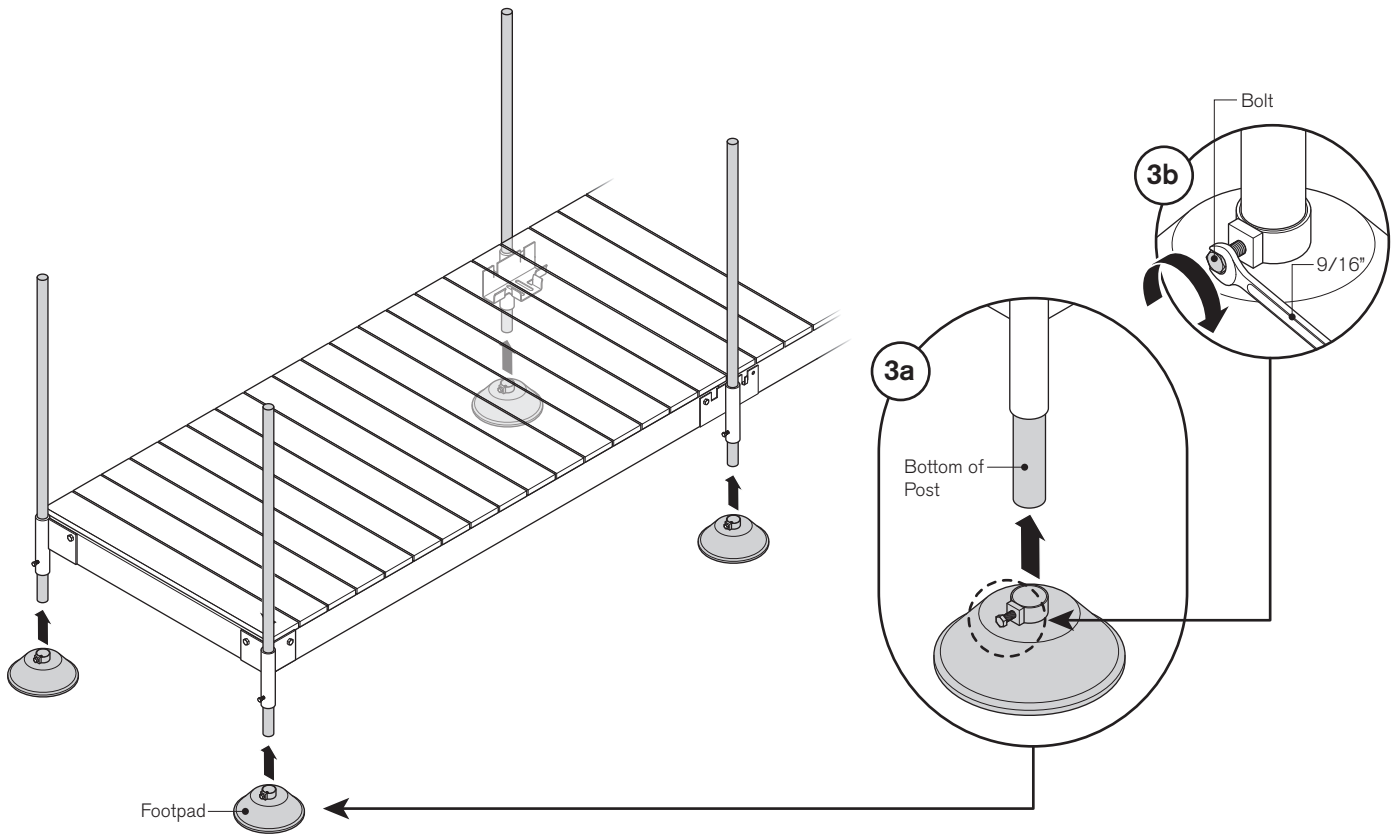
1. Position D-Bracket (refer to dock layout) making sure that dock's frame is seated completely in the saddle of the D-Bracket. Header frame must not protrude past the angle plate or the next dock section will hit.
2. Drill one (1) 1/2" diameter hole.
Note: Do not attempt to drill pin assembly hole in next dock section until your dock is completely installed on water and leveled.
3. Install one (1) 1/2"-13 x 2-1/4" bolt, washer and nut. The nut is positioned on the inside of the dock's frame.

1 We recommend you level your shoreline with Blocks. Level shoreline Blocks will stabilize your dock and ensure a good start. While on shore, install Brackets on section (refer to dock layout and bracket installation sheets for correct bracket location and installation). We recommend the use of sawhorses or other suitable level work area for hardware installation. When installing Brackets for a tee section, measure correct distance of mating docks (standard width is 47-3/4").

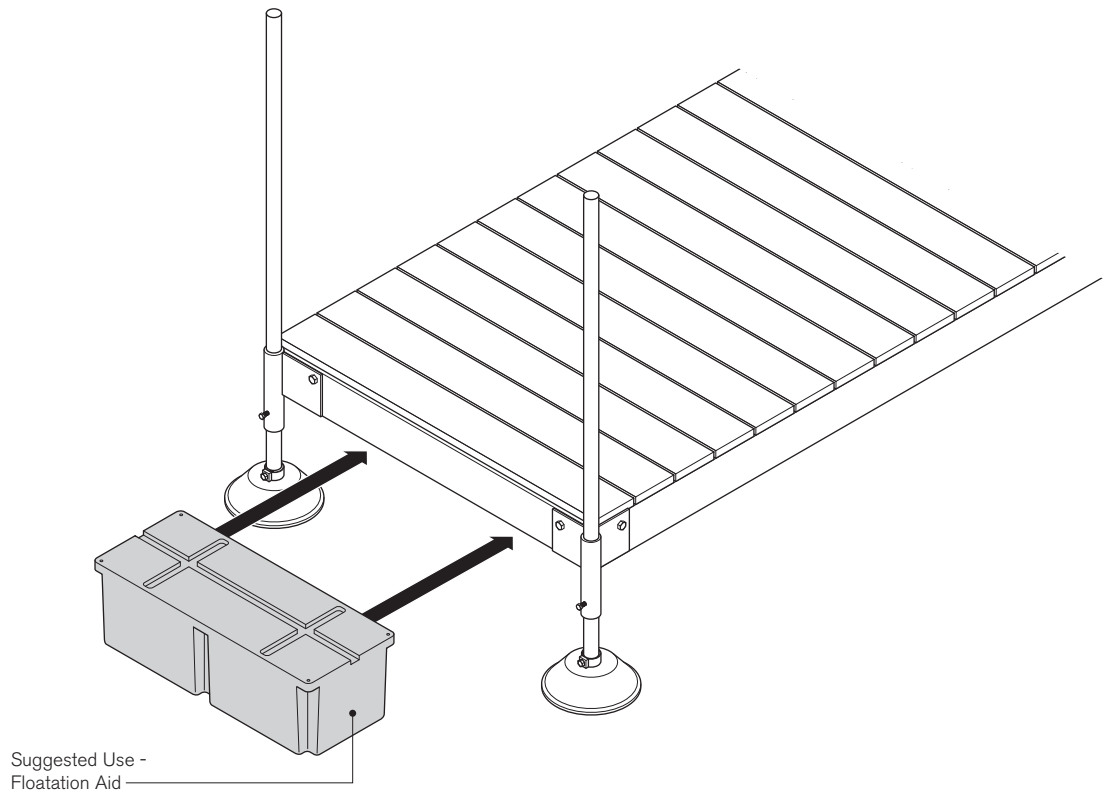
2 Install predetermined length of Post through Brackets (2a) and temporarily tighten Bracket Adjusting Bolts (2b) leaving 3" of post below the bottom of each Bracket (2c).



3 Install Footpad to the bottom of the Post (3a) and tighten Bolt at the top of the Footpad to secure its position (3b).



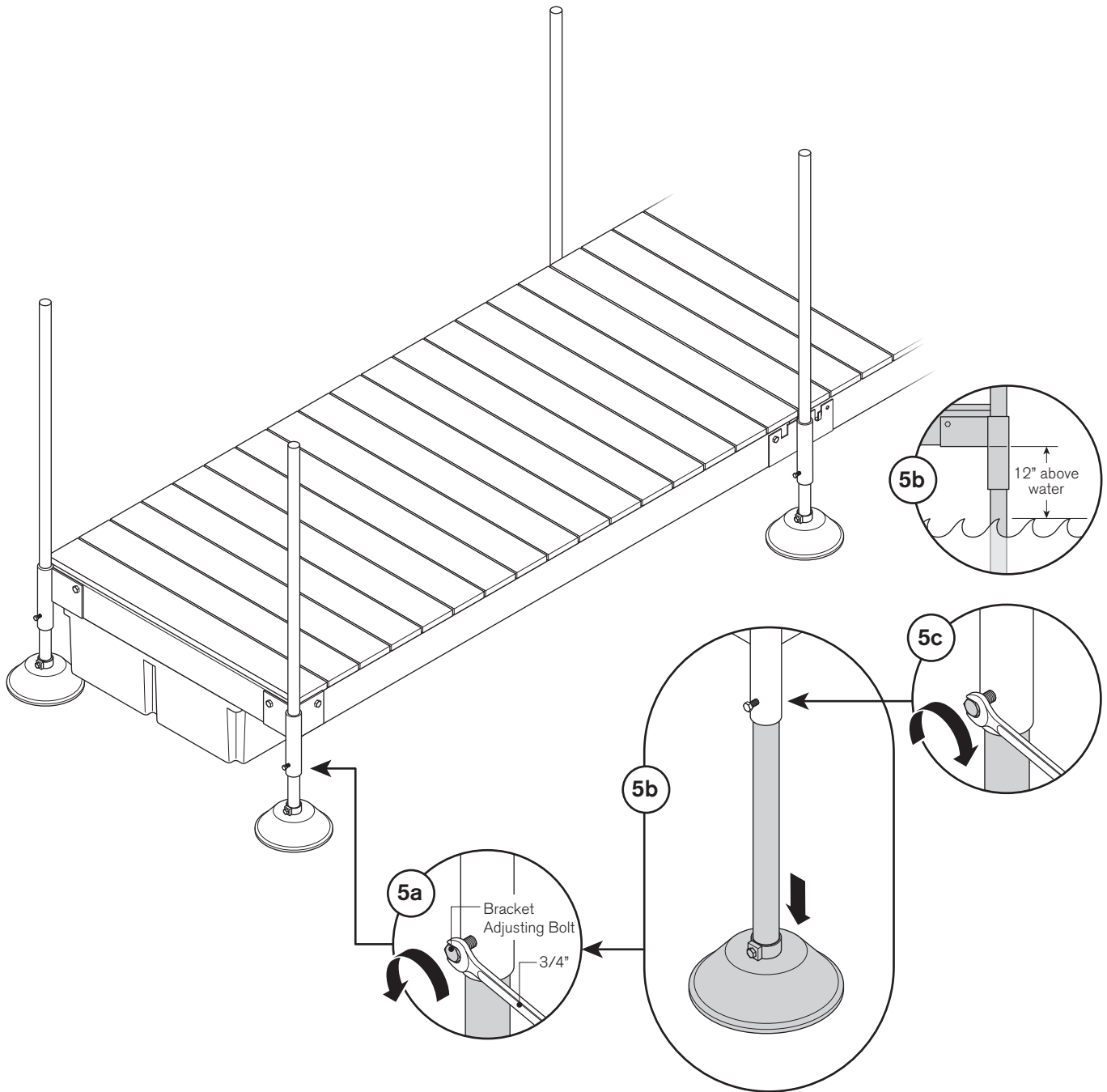
4 After Brackets, Posts, and Footpads are installed on a section, slide Floating Aid under far end of section and float into position. Once in place, walk out to Bracket locations.



5

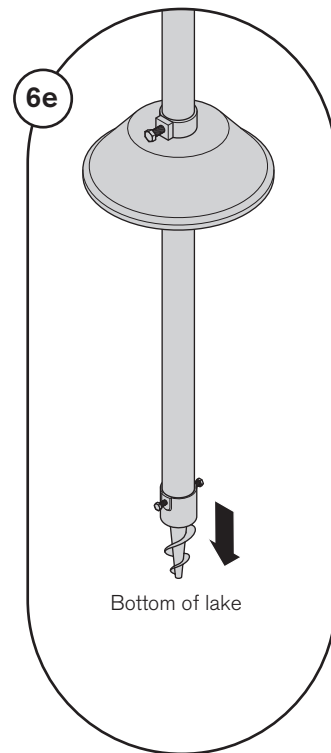
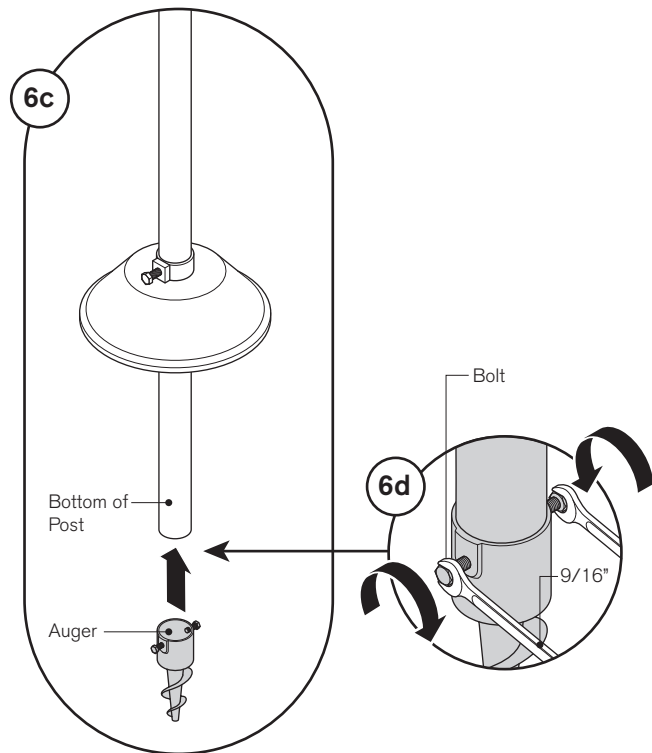
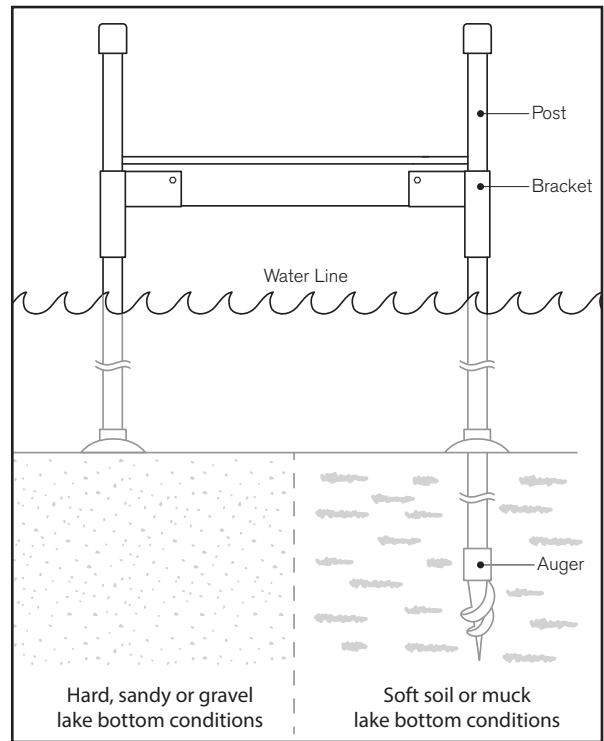
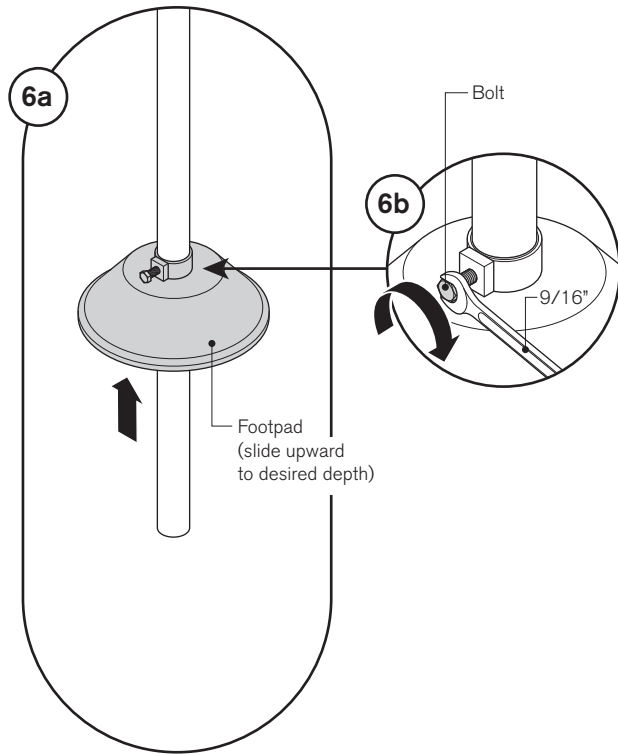
Loosen Bracket Adjusting Bolt (5a) and let Post slide down to the bottom of the lake (5b). Once dock is at desired height (12" is recommended) (5c), tighten Bracket Adjusting Bolt (repeat this step for each Bracket) (5d). Repeat steps 2-5 for each dock section to be installed.

Note: Refer to dock layout for proper dock configuration.



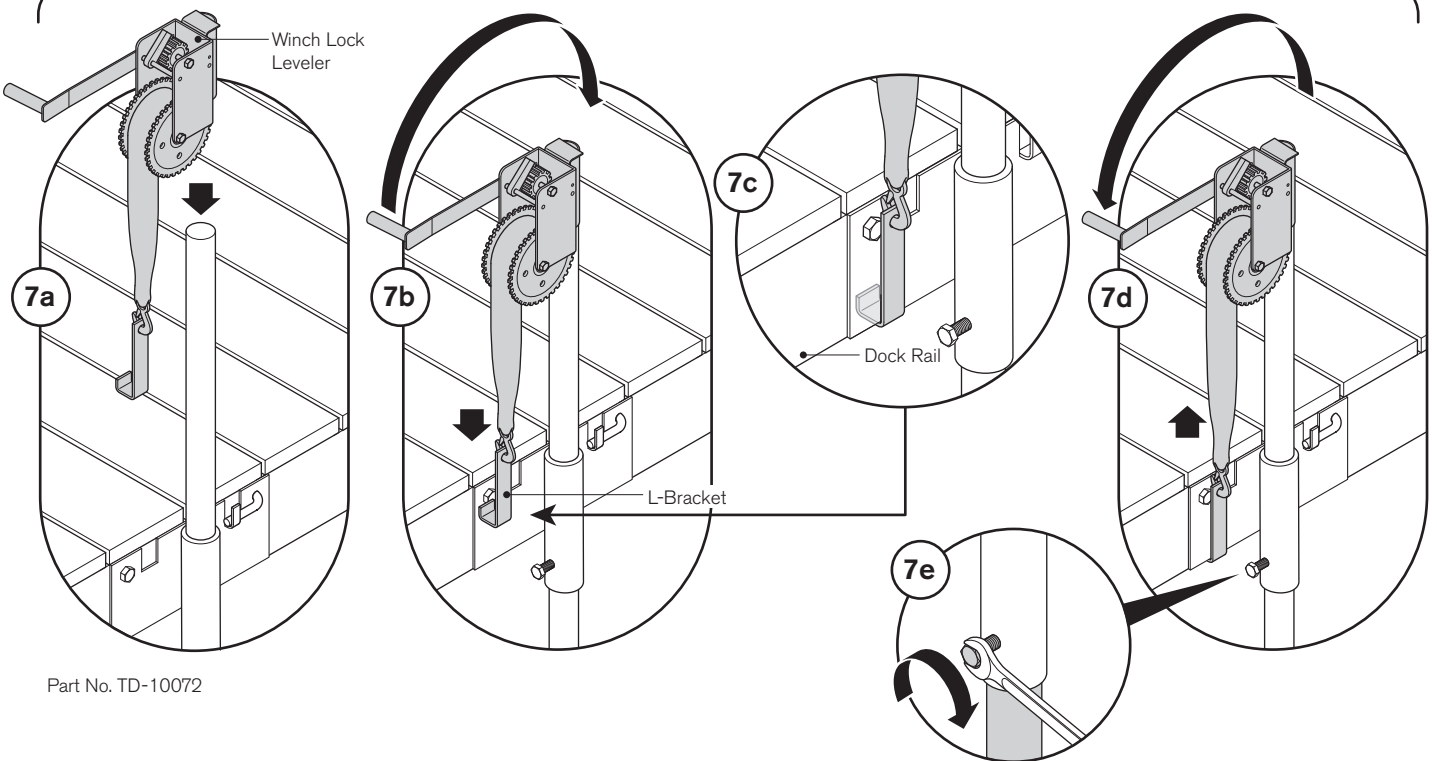
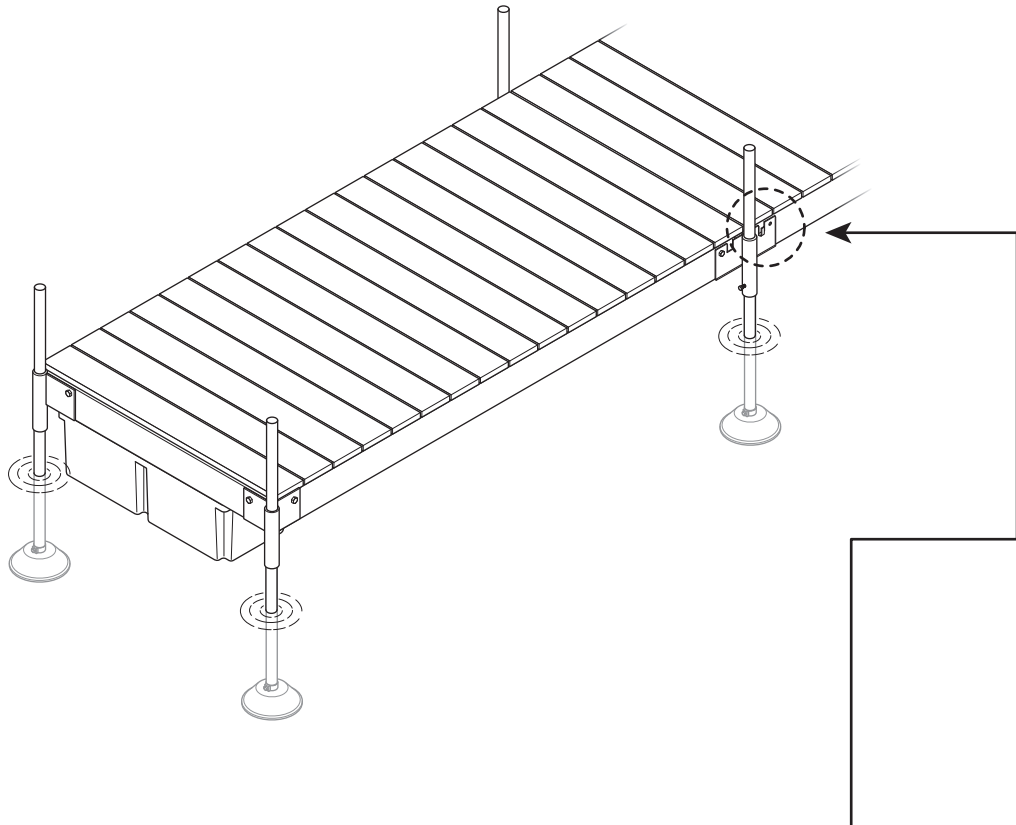
6

If using Auger Feet, slide the Footpad up to desired depth (Footpad depth depends on bottom surfaces such as hard, soft, or rocky conditions, etc.) (6a) and tighten Bolt at the top of the Footpad to secure its position (6b). Position the Auger at the bottom of the Post (6c). Once in position, tighten the two Bolts on the Auger Foot until they are secure (6d). Slide Post down until the Auger touches the bottom of the lake (6e). Attach a post wrench to the Post and turn clockwise until the Footpad touches the bottom of the lake.



7

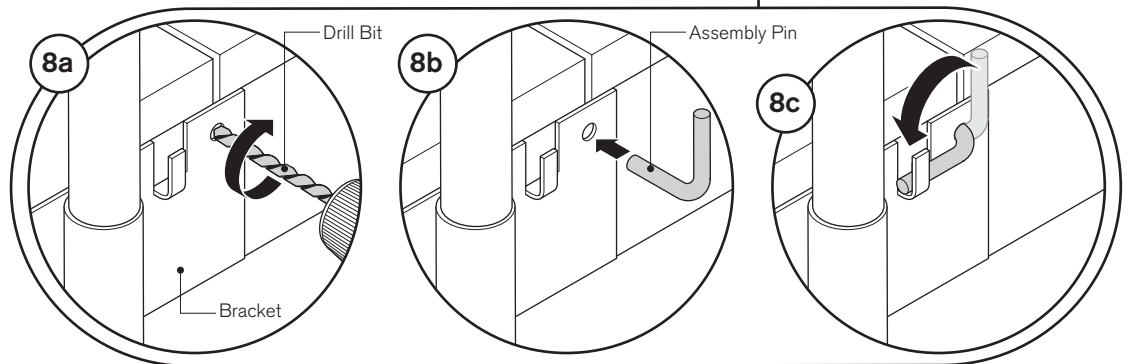
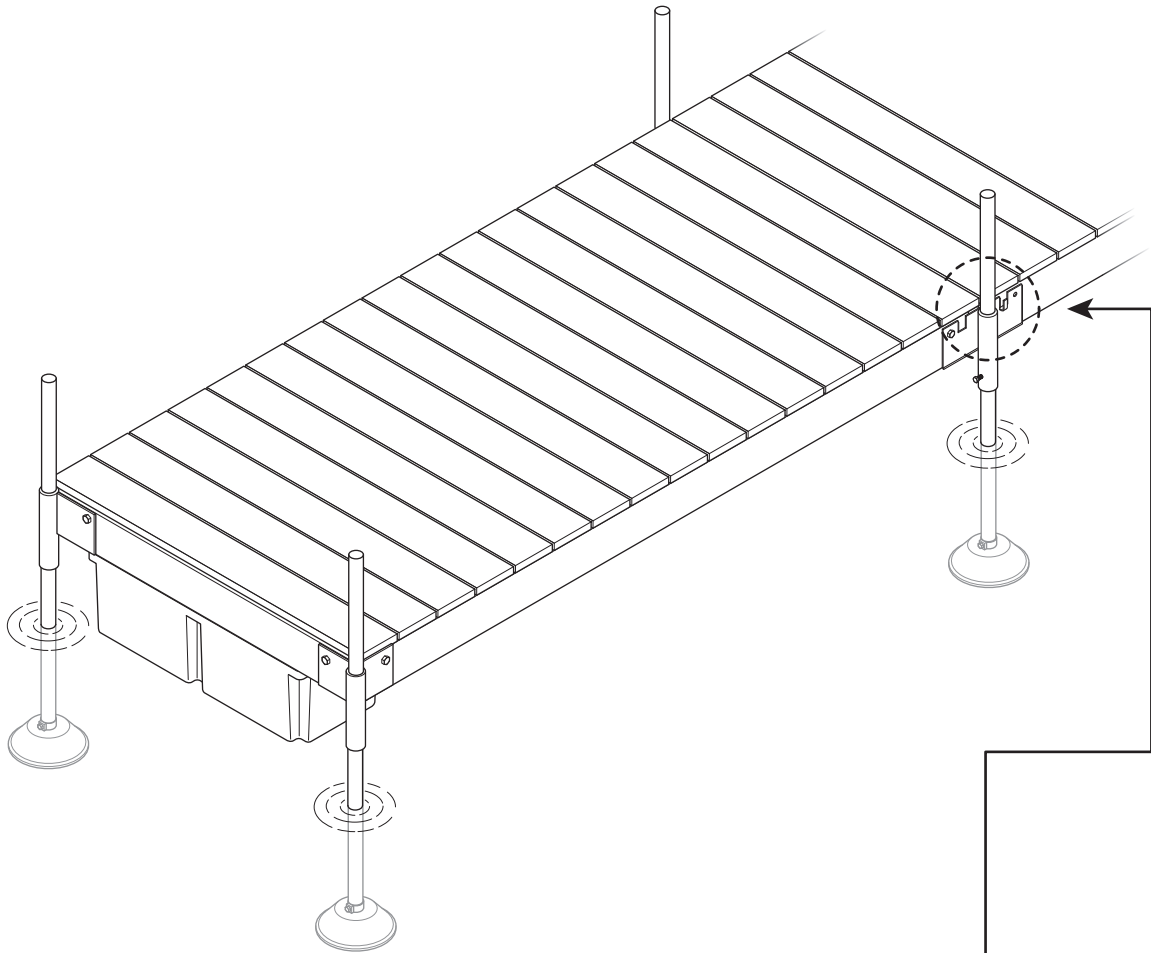
Level dock by lowering Winch Lock Leveler onto pole (7a). Turn Winch Lock Leveler handle to lower strap with L-Bracket (7b). Place L-Bracket underneath Deck Rail (7c). Turn Winch Lock Leveler handle to raise deck until level (7d). Tighten bracket adjusting bolt on bracket (7e).



Part No. TD-10072

8

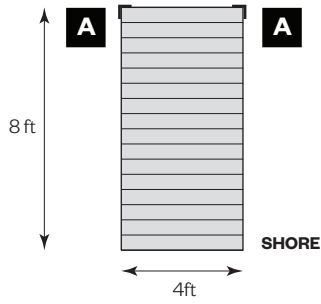
Drill all holes for Assembly Pins (8a). Insert Assembly Pin into hole of bracket (8b) and rotate downward so the Assembly Pin locks into place (8c). Install remaining Assembly Pins where applicable.



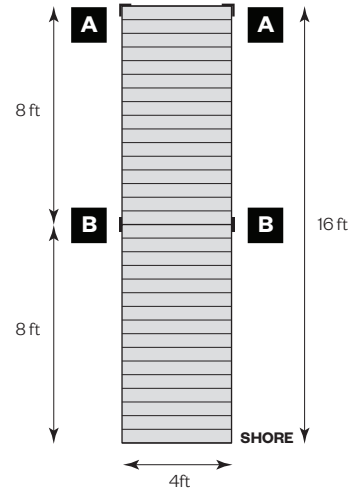
*Drilling required on first installation only.

Configurations

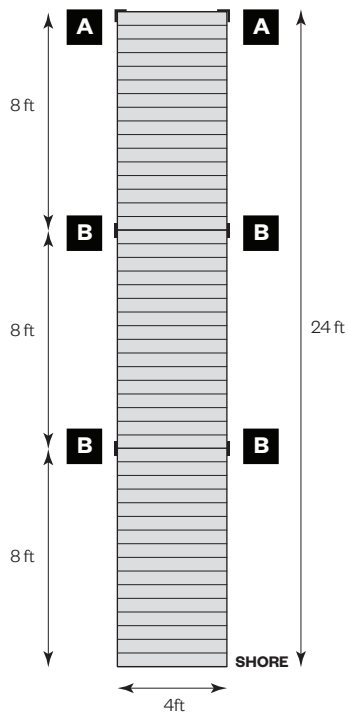
8' STRAIGHT DOCK



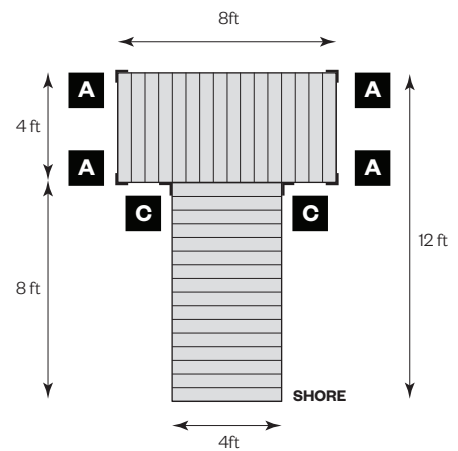
16' STRAIGHT DOCK



24' STRAIGHT DOCK

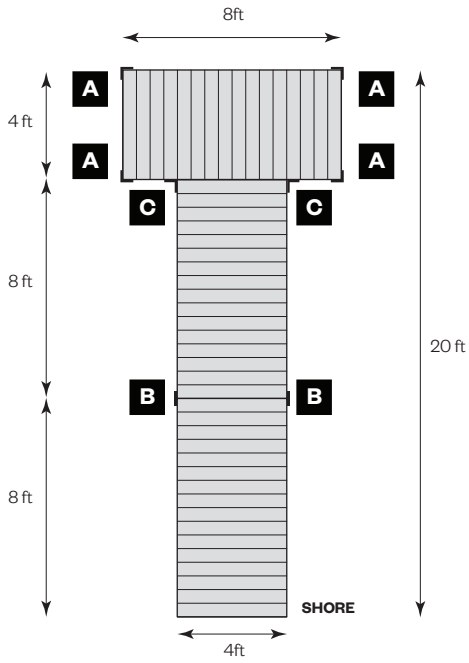


12' T-SHAPED DOCK

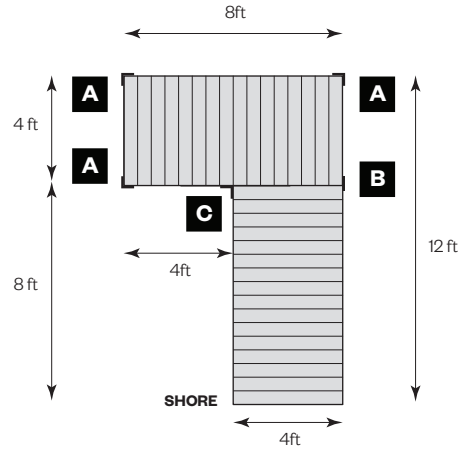


Configurations (continued)

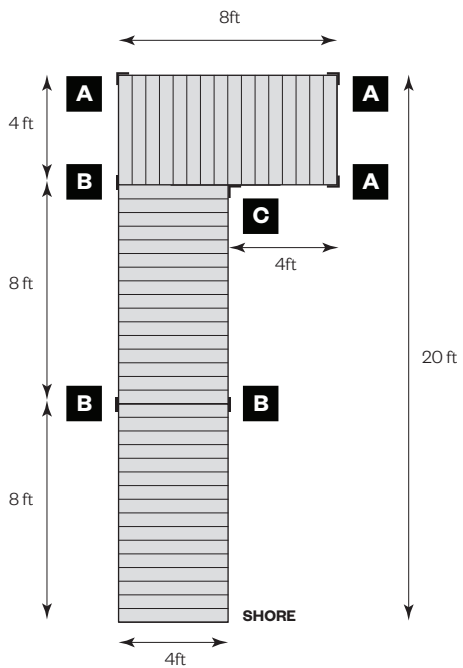
20' T-SHAPED DOCK



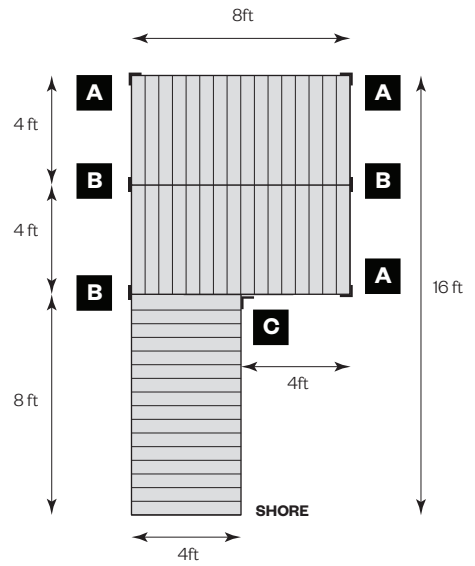
12' L-SHAPED DOCK



16' L-SHAPED DOCK

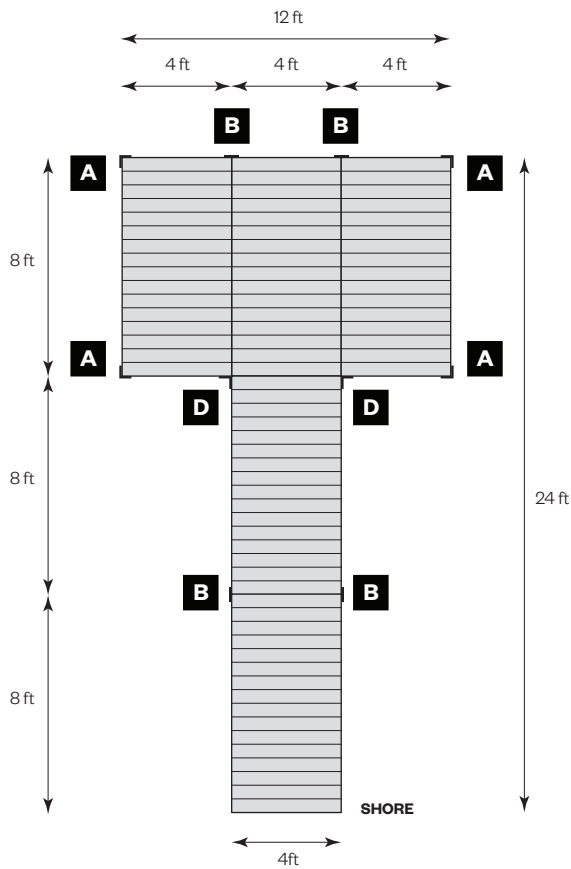


16' PLATFORM DOCK

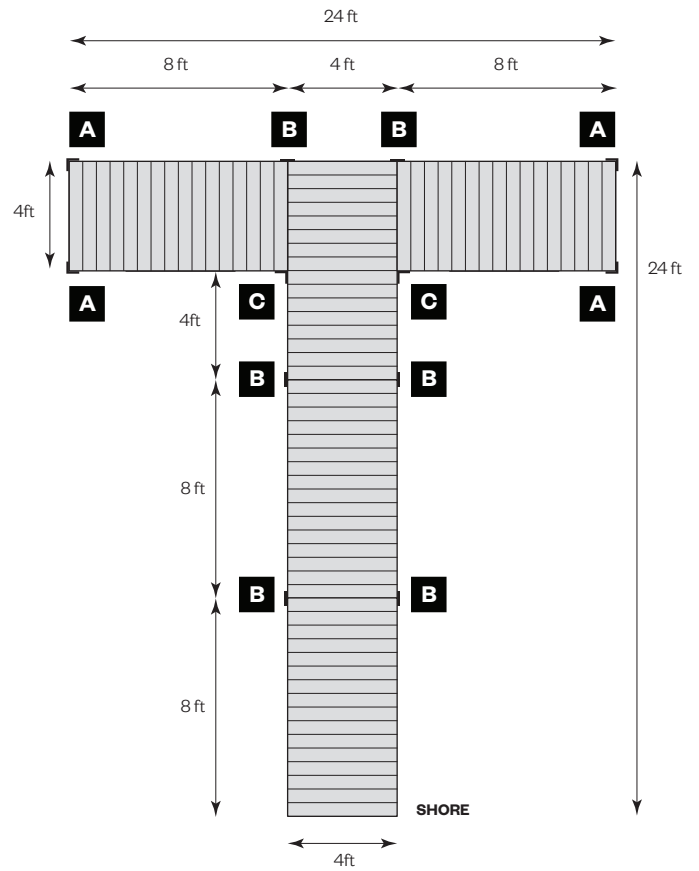


Configurations (continued)

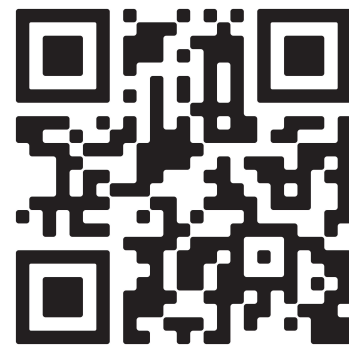
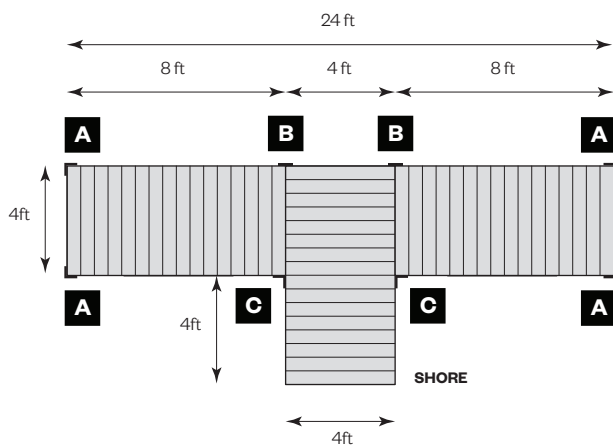
24' PLATFORM DOCK



24' T-SHAPED DOCK



8' T-SHAPED DOCK



Use the QR Code to View Online
Instructions and Video Guides