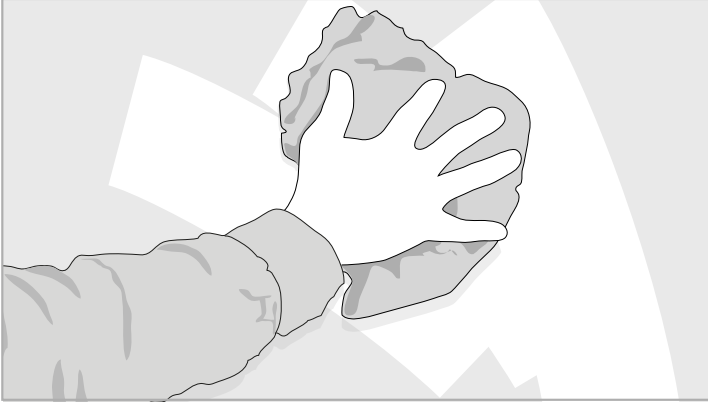


WALL MURAL INSTALLATION INSTRUCTIONS

hyper

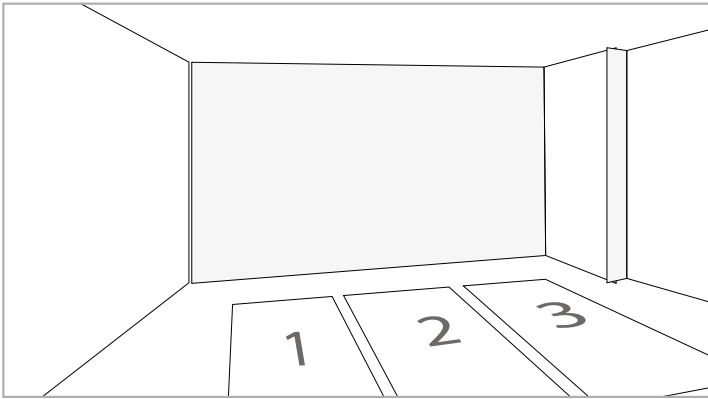
Please note: If you have recently painted your wall you will have to wait 4-6 weeks for the paint to fully cure.



Step 1: Surface prep

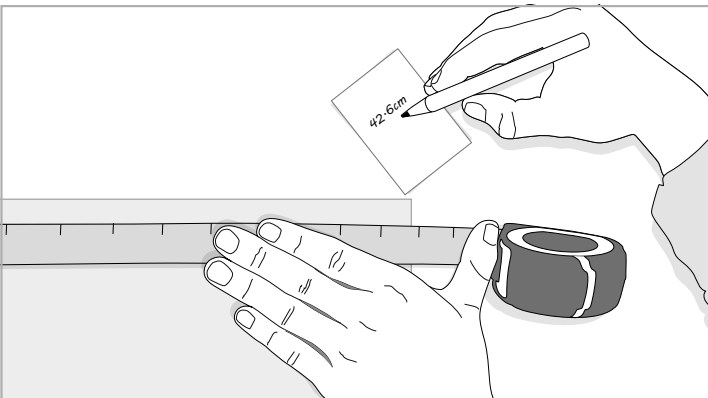
To start, give your wall a good clean and wipe down with a clean cloth to ensure no dirt, dust or grease remains. You may also need to sand back any imperfections on the wall, as uneven surfaces will show. Ensure wall is dry before continuing.

You will need: Squeegee, tape measure, spirit level, masking tape, pencil, ruler, step ladder, and scalpel/Stanley knife or scissors.



Step 2: Panel prep

Unpack all parts of your vinyl and put them on a clean, solid surface to flatten. Position the panels in order from left to right, design side facing up.



Step 3: Measure (part 1)

Measure the width of panel 1, which is the one that will appear furthest to the left on your wall. Record the measurement on a piece of paper. In our example it is 42.6cm.



TAPE MEASURE



PENCIL



STEP LADDER



2 PEOPLE



TAPE MEASURE



PENCIL



MASKING TAPE



SCISSORS



SQUEEGEE

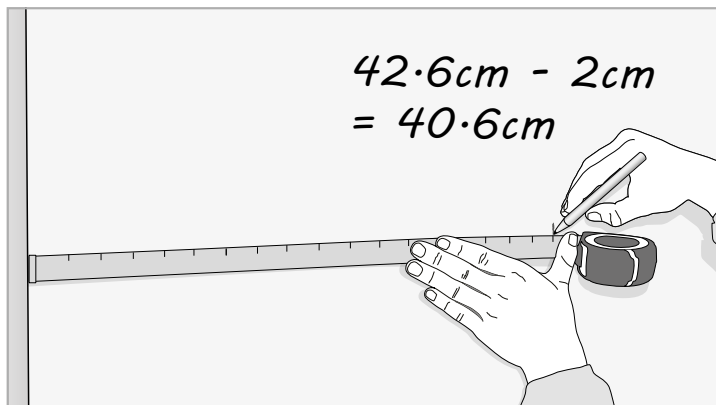


SPIRIT LEVEL

WALL MURAL INSTALLATION INSTRUCTIONS

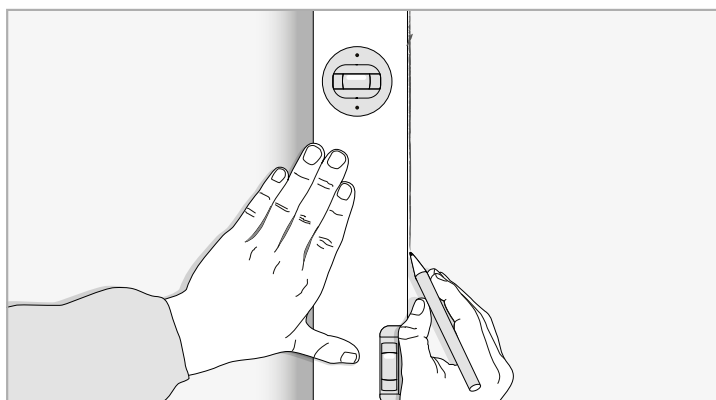
hyper

Please note: If you have recently painted your wall you will have to wait 4-6 weeks for the paint to fully cure.



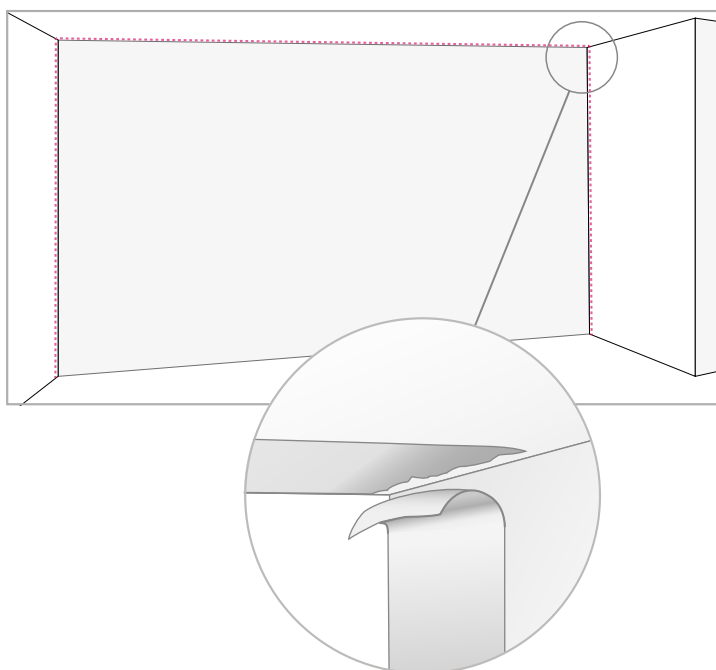
Step 4: Measure (part 2)

Take the measurement from Step 3 and measure the same distance from the left corner of the wall but minus 2cm. In our example this would be 40.6cm. Mark lightly with a pencil. When you come to line up the panel to this mark it gives a little extra material in the edge of the wall to cover any uneven areas on the application surface.



Step 5: Align

Once you have created 2 or 3 more marks from the ceiling to floor, join them using a spirit level to ensure they are straight. It is very important that they are straight as this line will effect the installation of the whole mural.



Step 6: Preparing adjacent walls

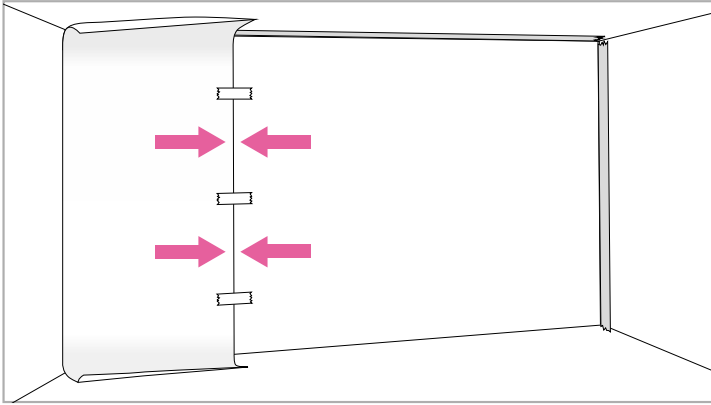
Using masking tape, line the adjacent walls and along the ceiling, as a precaution to protect the paintwork from any adhesive when applying the panels.



WALL MURAL INSTALLATION INSTRUCTIONS

hyper

Please note: If you have recently painted your wall you will have to wait 4-6 weeks for the paint to fully cure.

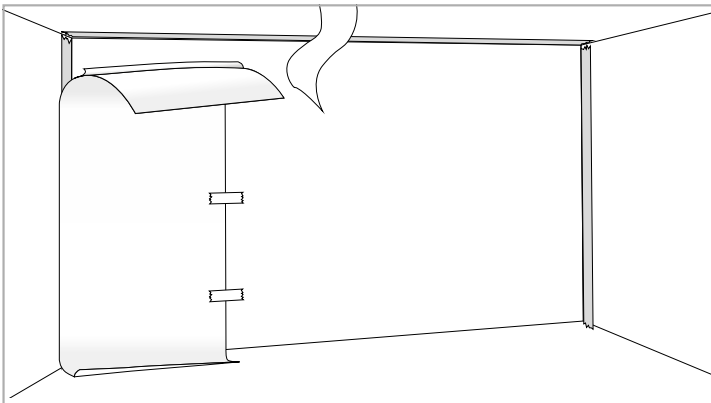


Step 7: Aligning panel 1

You will need another pair of hands for this step. Using small strips of masking tape to hold the panel in place, line the right hand edge of panel 1 up to the line you have drawn while your partner supports the other side. The excess material will accommodate irregular walls, so do not trim this yet.



STEP LADDER 2 PEOPLE MASKING TAPE

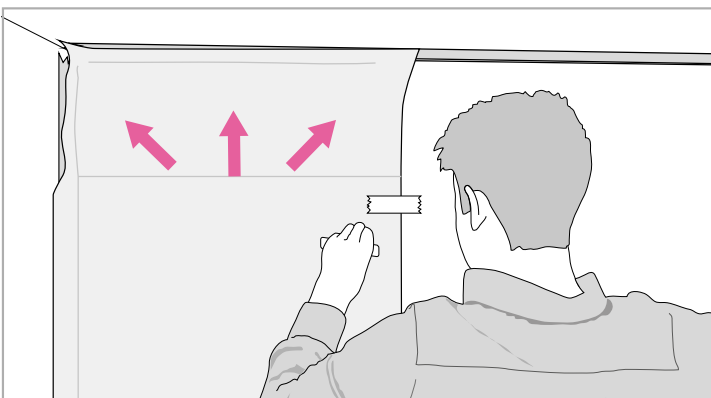


Step 8: Peeling panel 1

Make sure there is enough masking tape all the way round your panel so it stays firmly in place. Peel back about 30cm of the backing paper and whilst keeping the decal under tension cut off the backing paper with scissors.



STEP LADDER 2 PEOPLE SCISSORS TAPE MEASURE



Step 9: Sticking the panel (part 1)

Lower the panel to the wall and using the squeegee start pressing the graphic onto the wall working from the bottom to the top, keeping tension on the far corners. Working bottom to top and at all times pushing from the centre out, smooth the sticky section into place.

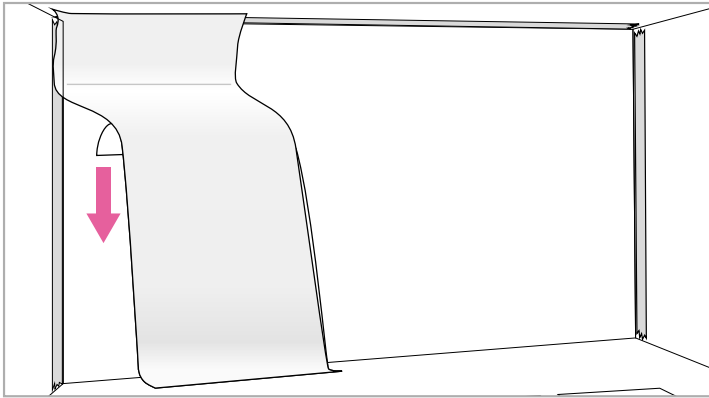


STEP LADDER 2 PEOPLE SQUEEGEE

WALL MURAL INSTALLATION INSTRUCTIONS

hyper

Please note: If you have recently painted your wall you will have to wait 4-6 weeks for the paint to fully cure.



Step 10: Sticking the panel (part 2)

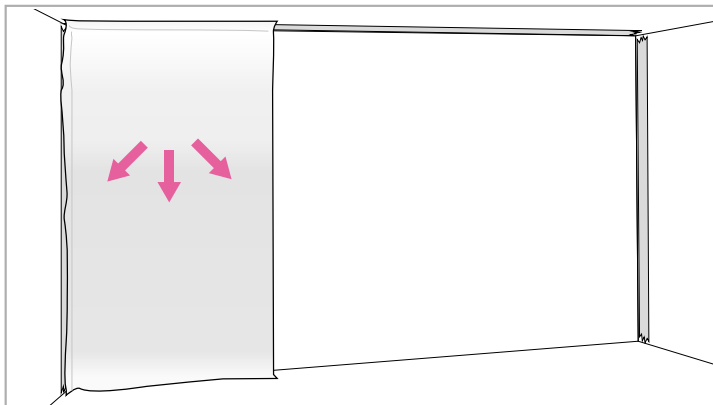
Now remove the masking tape you have been using to hold the panel in place. Lift up the remaining panel and peel off the backing paper from top to bottom. It is helpful to have someone else to hold the bottom of the panel away from the wall until the whole panel is smoothed over.



2 PEOPLE



STEP LADDER



Step 11: The smooth

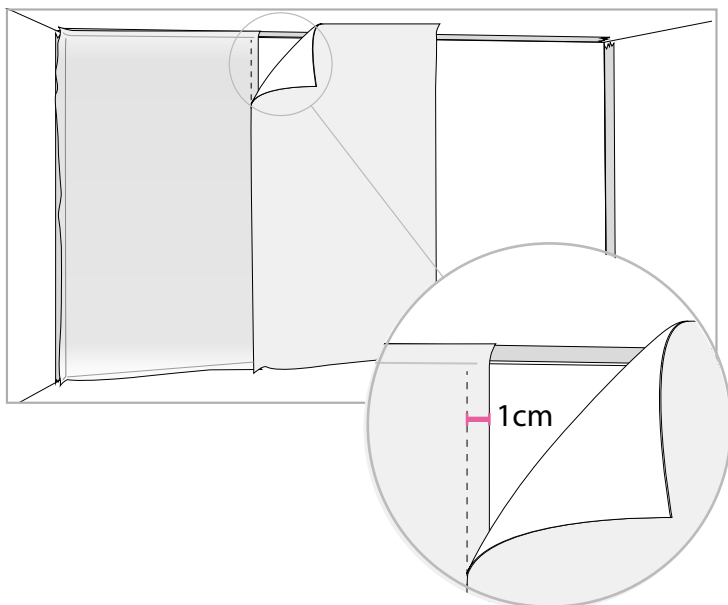
Lower the panel to the wall keeping the bottom slightly away from the wall. Using a squeegee start pressing the graphic onto the wall working from the top to the bottom smoothing outwards towards the edges.



SQUEEGEE



STEP LADDER



Step 12: Panel 2

Panel 2 will overlap panel 1 by 1cm. It may be that you can visually align the panels by matching the design. This works best with one person matching the top and one the bottom. If this is not possible you can measure 1cm in from the edge of panel 1 and use masking tape as a guide for panel 2.



2 PEOPLE



STEP LADDER



TAPE MEASURE



MASKING TAPE



STEP LADDER



2 PEOPLE



TAPE MEASURE



PENCIL



MASKING TAPE



SCISSORS



SQUEEGEE

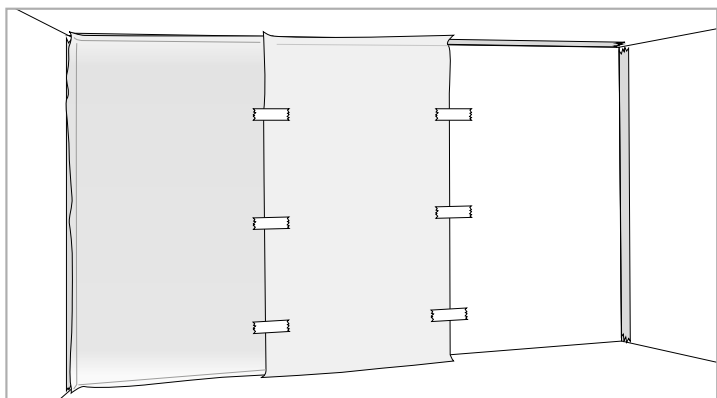


SPIRIT LEVEL

WALL MURAL INSTALLATION INSTRUCTIONS

hyper

Please note: If you have recently painted your wall you will have to wait 4-6 weeks for the paint to fully cure.



Step 13: Aligning panel 2

Fix Panel 2 in the correct position using small strips of masking tape. At this point you can repeat steps 8 to 11.



2 PEOPLE



STEP LADDER



MASKING TAPE



Step 14: Trim

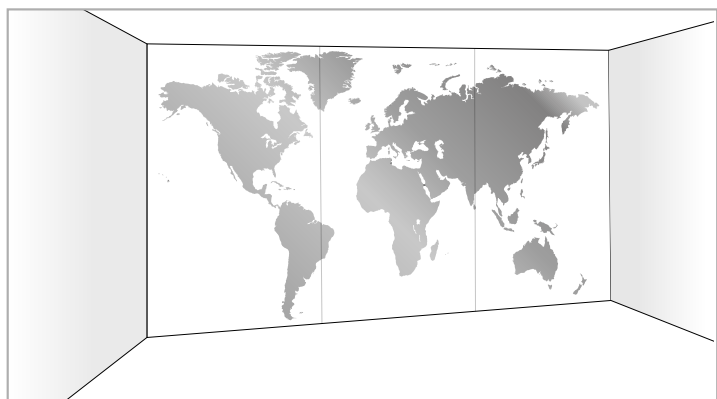
Once you have all panels applied trim all excess vinyl using a squeegee and scalpel. This is best achieved by pushing the squeegee firmly into the adjoining surfaces and then running a scalpel along the edge creating a clean cut line.



STEP LADDER



SQUEEGEE



Step 15: The big reveal

Small amounts of bubbling may occur after the graphic is on the wall. If this happens all you need to do is pop them with a small pin and smooth the area with a finger.

Woo hoo, you now have a completed work of art!

At Vinyl Impression we love to see pictures of all our customers' handy work and ask if you could share your snaps with us.



CAMERA

Tah Dah!



STEP LADDER



2 PEOPLE



TAPE MEASURE



PENCIL



MASKING TAPE



SCISSORS



SQUEEGEE



SPIRIT LEVEL