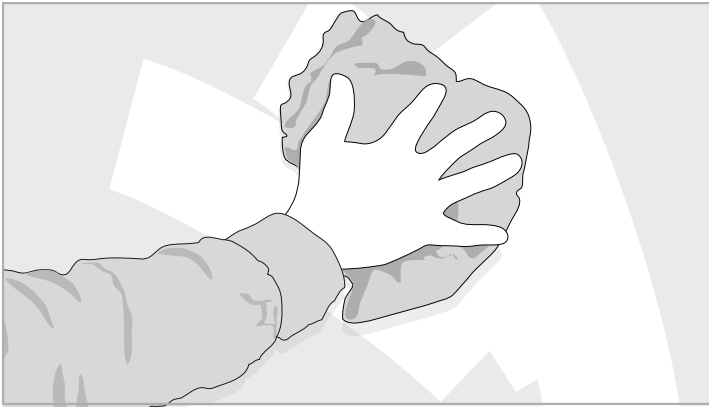


WHITEBOARD INSTALLATION INSTRUCTIONS

(Multiple Pieces)

hyper

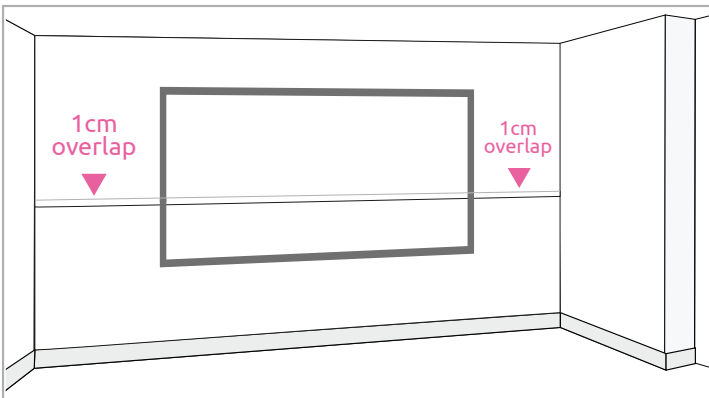
Please note: If you have recently painted your wall you will have to wait 4-6 weeks for the paint to fully cure.



Step 1: Surface prep

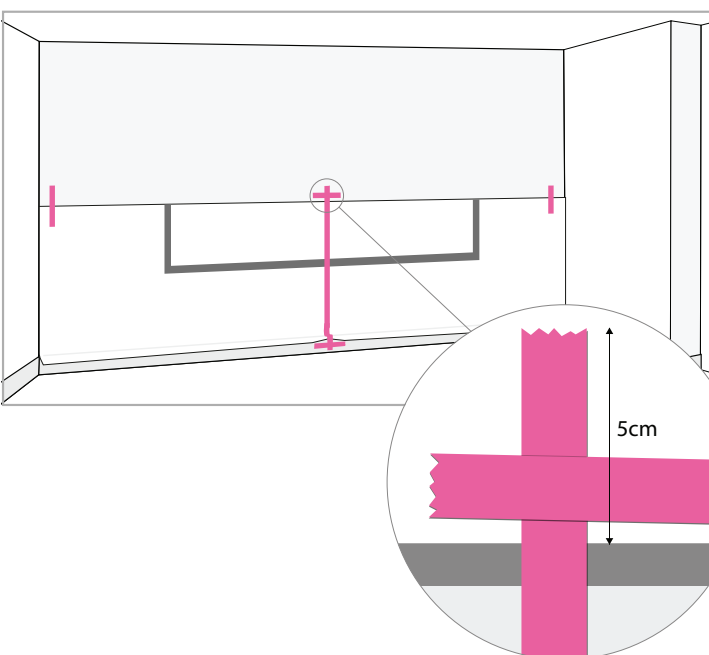
To start, give your wall a good clean and wipe down with a clean cloth to ensure no dirt, dust or grease remains. You may also need to sand back any imperfections on the wall, as uneven surfaces will show. Ensure wall is dry, before continuing.

You will need: Tape measure, spirit level, masking tape, pencil, ruler, step ladder, and scalpel/Stanley knife or scissors.



Step 2: The end product

Please note whiteboard panels are installed horizontally to limit joins. You will need to start with the bottom panel first taping it onto the wall at the top corners with masking tape leaving about 2cm overlapping the skirting board. The excess material will accommodate irregular walls, so do not trim this yet.



Step 3: The vertical hinge

Take a long strip of masking tape and apply it vertically through the centre of the whiteboard making sure that you have at least 5cm of tape attached to the wall above and below the sticker, which may be applied to a skirting board. Apply an additional strip over the top to give some added strength.



STEP LADDER



2 PEOPLE



TAPE MEASURE



PENCIL



MASKING TAPE



SCISSORS



SQUEEGEE



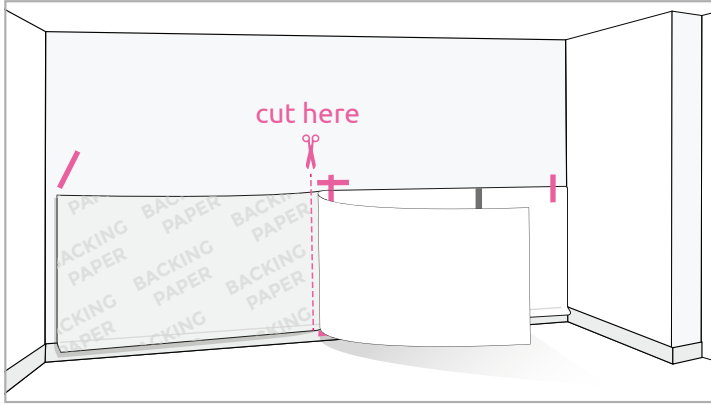
SPIRIT LEVEL

WHITEBOARD INSTALLATION INSTRUCTIONS

(Multiple Pieces)

hyper

Please note: If you have recently painted your wall you will have to wait 4-6 weeks for the paint to fully cure.



Step 4: The Peel

Now remove the tape holding the sticker on the left hand side and loosely fold the whiteboard back over itself. Whilst you hold the corners get your partner to peel of the backing paper to the hinge in the middle. Then cut the backing paper away using scissors.



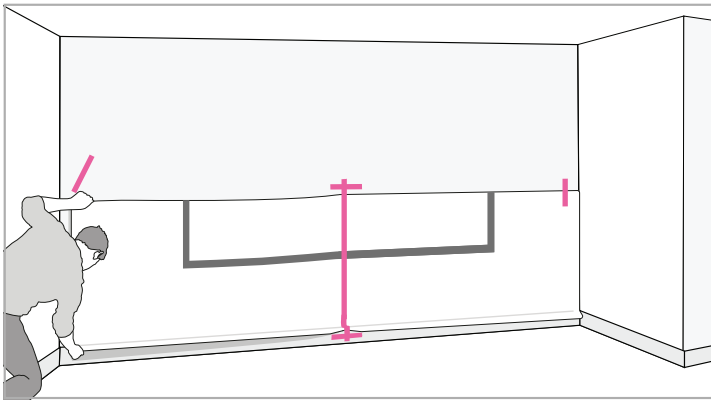
2 PEOPLE



MASKING TAPE



SCISSORS

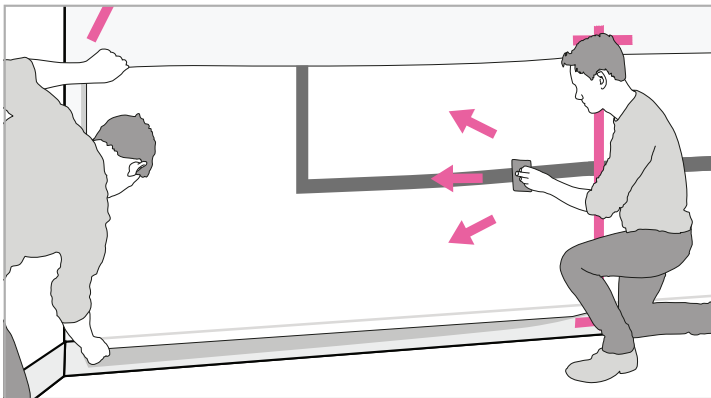


Step 5: Sticking panel 1

Now holding the whiteboard under tension swing it back across the hinge and hold the graphic just off the wall. Be careful during this stage that the sticker doesn't come into contact with itself or the wall.



2 PEOPLE



Step 6: Sticking panel 1

Continue to hold the graphic under tension while your partner starts to adhere the sticker using a squeegee applying pressure from the hinge out always pushing from the centre towards an edge; doing this will stop bubbles and creases forming.



2 PEOPLE



SQUEEGEE



STEP LADDER



2 PEOPLE



TAPE MEASURE



PENCIL



MASKING TAPE



SCISSORS



SQUEEGEE



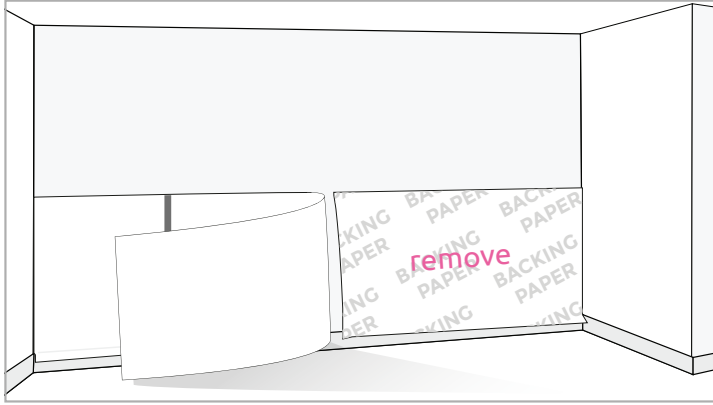
SPIRIT LEVEL

WHITEBOARD INSTALLATION INSTRUCTIONS

(Multiple Pieces)

hyper

Please note: If you have recently painted your wall you will have to wait 4-6 weeks for the paint to fully cure.



Step 7: Sticking panel 1

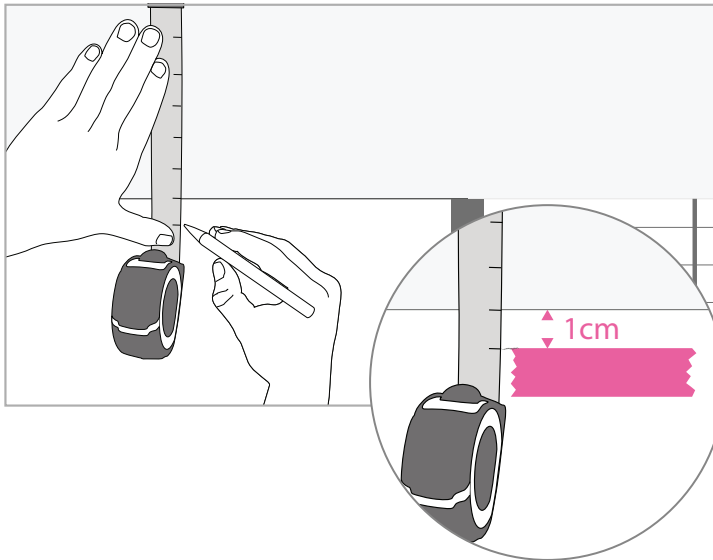
Now repeat the process on the other side, this time pulling the graphic beyond the hinge removing the backing paper and applying the sticker to the wall starting at the hinge and pushing from the centre out. Remember to hold the sticker under tension at all times.



2 PEOPLE



SQUEEGEE



Step 8: Aligning panel 2

Now that the bottom panel has been finished, the top can be applied. The top panel needs to overlap the bottom by 1cm. Using a measuring tape measure 1cm down from the top of panel 1 and using neatly cut pieces of tape approximately 3cm wide place them in three places to use as a guide in the next step.



2 PEOPLE



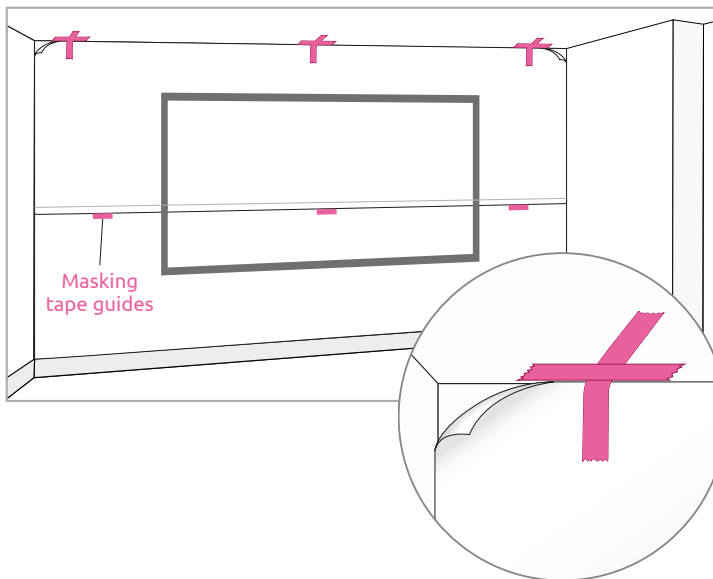
MASKING TAPE



TAPE MEASURE



STEP LADDER



Step 9: Preparing panel 2

Like the bottom panel, place the top one on the wall with your partner's help to align with the masking tape guides and stick the corners with masking tape.

If your panel has now reached the ceiling the tape may have to be applied to the ceiling or wall and will need an additional piece to run perpendicularly to hold the whiteboard in place.



2 PEOPLE



STEP LADDER



MASKING TAPE



STEP LADDER



2 PEOPLE



TAPE MEASURE



PENCIL



MASKING TAPE



SCISSORS



SQUEEGEE



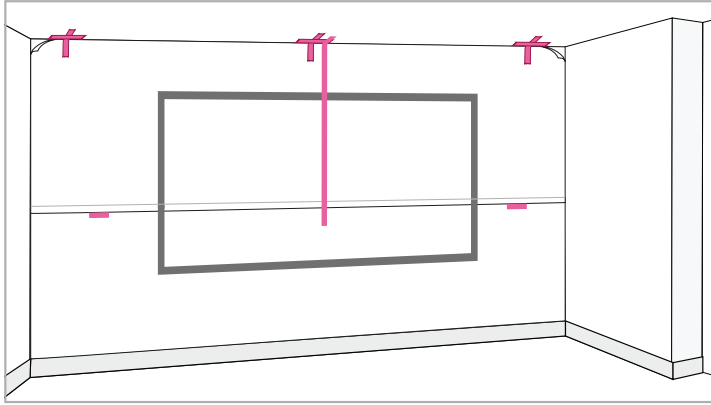
SPIRIT LEVEL

WHITEBOARD INSTALLATION INSTRUCTIONS

(Multiple Pieces)

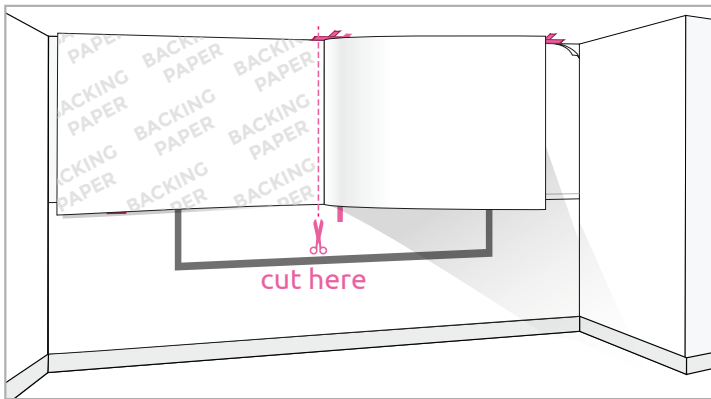
hyper

Please note: If you have recently painted your wall you will have to wait 4-6 weeks for the paint to fully cure.



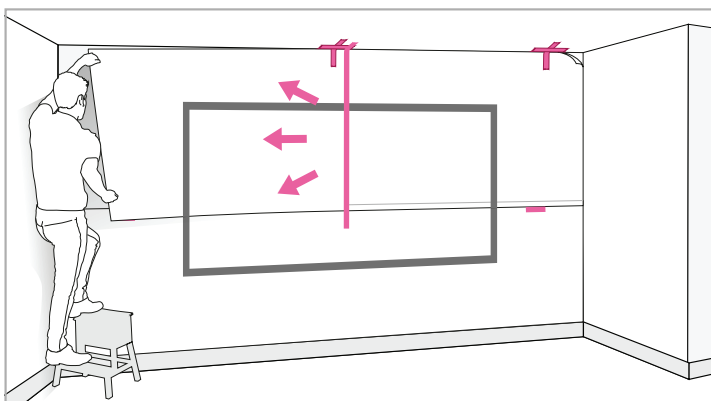
Step 10: Preparing panel 2

Again, take a long strip of masking tape and apply it vertically through the centre of the whiteboard making sure that you have at least 5cm of tape attached to the wall above and below the sticker, which may need to be applied to the ceiling. Apply an additional strip over the top to give some added strength.



Step 11: Preparing panel 2

Now remove the tape holding the sticker on the left hand side and loosely fold the whiteboard back over itself. Whilst you hold the corner get you partner to peel of the backing paper to the hinge in the middle. Then cut the backing paper away using scissors.



Step 12: Sticking panel 2

Continue to hold the graphic under tension while your partner starts to adhere the sticker using a squeegee. Apply pressure from the hinge towards an edge will stop bubbles and creases forming.



STEP LADDER



2 PEOPLE



TAPE MEASURE



PENCIL



MASKING TAPE



SCISSORS



SQUEEGEE



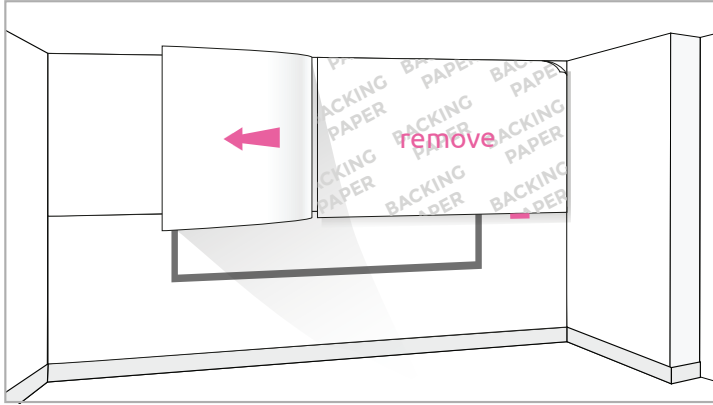
SPIRIT LEVEL

WHITEBOARD INSTALLATION INSTRUCTIONS

(Multiple Pieces)

hyper

Please note: If you have recently painted your wall you will have to wait 4-6 weeks for the paint to fully cure.



Step 13: The final push

Now repeat the process on the other side, pulling the graphic back over the hinge removing the backing paper and applying the sticker to the wall starting at the hinge and pushing from the centre out. Remember to hold the sticker under tension at all times.



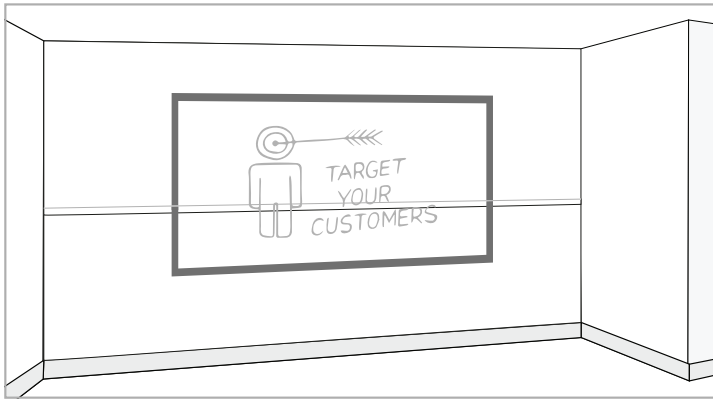
2 PEOPLE



STEP LADDER



MASKING TAPE



Step 14: The big reveal

Small amounts of bubbling may occur after the graphic is on the wall. If this happens all you need to do is pop them with a small pin and smooth the area with a finger.

Woo hoo, you now have a completed work of art!

At Vinyl Impression we love to see pictures of all our customers' handy work and ask if you could share your snaps with us.



CAMERA

Cleaning tips:

All writings and doodles on our whiteboard vinyl should wipe away with a dry cloth. However, with some pens and in some environments you may need to use window cleaner in order to return the surface to its original appearance. Clean regularly to keep looking as good as possible.

Recommended pens:

We recommend that you use Bic dry wipe pens and accessories on our whiteboard vinyls.



STEP LADDER



2 PEOPLE



TAPE MEASURE



PENCIL



MASKING TAPE



SCISSORS



SQUEEGEE



SPIRIT LEVEL