

• ABOUT US •

Here at Dr Physio USA, we make the most imaginative, unwinding, and restorative, well-being and individual care Products.

In the hubbub of today's lifestyle, it becomes impossible to nurture yourself at times. In the chaos of maintaining every aspect of life efficiently, we forget that our bodies are not machines. They need absolute care and tenderness. Pain in neck, shoulder, back or foot should never be taken for granted. They can lead to serious ailments in the long run. To help you ease the situations of painfulness, Dr Physio USA brings to you excellent ways of relaxation and pain relief through our premium gadgets. We offer a non-intrusive answer to help renew and reestablish your muscles and relieve throbbing pain with our various products

The variety of items and massagers we offer are intended to target particular areas of the body viz neck, shoulder, back, foot and so on. The adaptable capabilities of our gadgets are meant for utmost body relaxation after a long day at work.

Sit Back, Relax and enjoy the amazing Dr Physio experience by Dr Trust!!

Dr Physio from Dr Trust
www.drphys.io | www.drtrust.in

Dr Physio
Leg & Foot Massager 1022

• Quick Start Guide •

Step 1

Keep the massager near to the power source.

Step 2

Plug-in and switch on the main switch (the massager has a main switch on the backside)

Step 3

Afterward put your legs and feet inside the massager and press the easy access touch buttons for the device to start function.

Step 4

Customize your massage easily by pressing Vibration, Manual and Auto Roller buttons.

Step 5

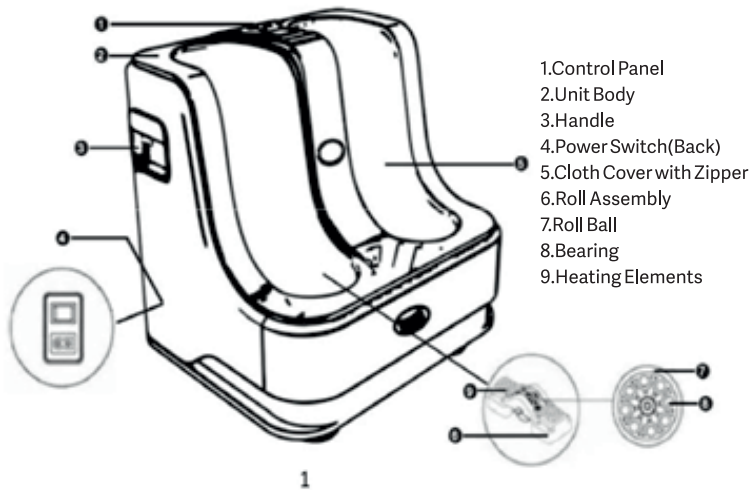
See its display to check massage modes and time settings.



• INTRODUCTION •

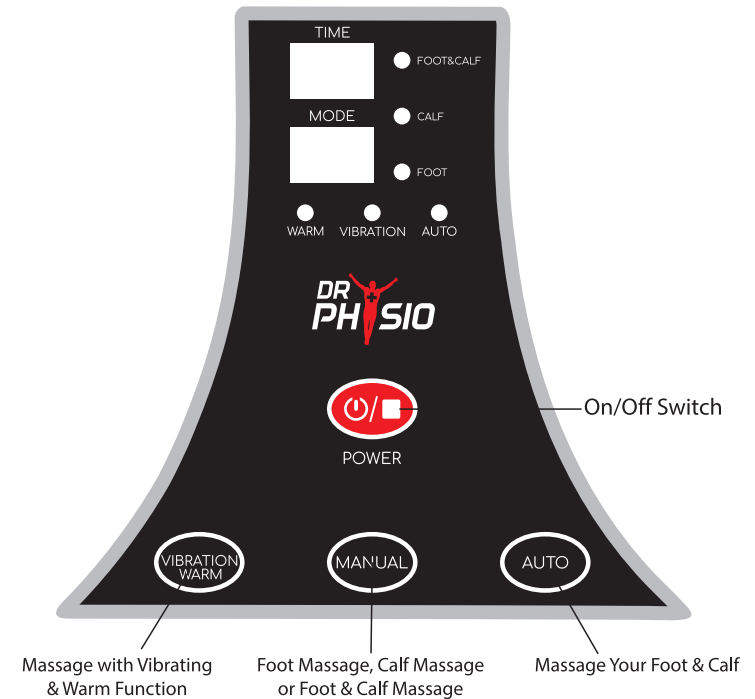
Dr Physio Leg & Foot Massager – 1022 is intended to pamper your feet and legs in the most beneficial way. It is an efficient method to deliver Shiatsu massage on feet, calves, and legs to relieve pain and stress instantly. It has flexible kneading discs that develop a unique massaging experience to offer you a professional spa-like experience at home. It uses vibration and heat together to provide electronic stimulation on the necessary pressure points of feet and legs to unwind stress. The massager has a powerful copper motor to ensure superior performance and durability for a longer time.

• NAME OF PARTS AND FUNCTION •



1

• CONTROL PANEL •



• EFFECTIVE RESULTS •

- The kneading and vibratory actions go deep into the different layers of muscles of your feet, ankles, and calves, leaving you rejuvenated and relaxed.
- Kneading and vibration massage target vital reflex points on the feet and soles, achieving positive reflexology effects.



- Stimulates blood circulation and warms up the muscles.
- Relieves tension and reduces stress.
- Relieves sore and tired feet effectively.
- Helps tone, shape and beautify your legs.

Note:

- *Do not exert excessive pressure while using this massager.*
- *We do not recommend using this massager for more than 15 minutes at a time.*

• **IMPORTANT SAFETY INSTRUCTIONS** •

Please read all the instructions shared below carefully before using the product.

Usage Environment

- Do not use the massager in an excessively humid environment such as in the bathroom.
- Do not use the massager on a wet body. This may result in a short circuit or an electric shock.
- Do not use it under blanket or pillow because excessive heating can occur and cause fire, electric shock, or injury to the users.
- Do not hold, pull, or carry this product by its power cord.
- Do not use outdoors.

- Do not use where aerosol (spray) products are being used or where oxygen is administered.
- It should never be left unattended when plugged in.

User Suitability

Persons having the following health conditions must consult the doctor before start using the massager:

- Cancer
- Osteoporosis
- Malignant tumors
- High fever
- Pregnant Women

Note:

Close supervision is necessary when the product is used by any person who is handicapped, or with any form of physical, sensory, or mental incapability and with limited experience and knowledge of the product.

• **SAFETY PRECAUTIONS DURING USE** •

- Unplug from the electrical outlet when it is not in use and before putting on or taking off parts.



- This is not intended for children use, so ensure that they do not play with it.
- Use this product only for its intended use as described in this manual. Do not use it for any purpose other than massage. Doing so may result in an accident or injury.
- Do not use attachments not recommended by the manufacturer.
- Never keep the power cord near the heated surfaces.
- Never operate this product if it is dropped.
- Never drop or insert any object into any opening of the product.
- Use it only while seated.
- Do not stand on or in the product.
- Do not use the massager when the fabric cover is torn, or components are missing.
- Do not unplug or switch off the massager during operation.
- Do not sleep while using the massager.

Note:

- *Power off the massager immediately if discomfort is experienced.*
- *Some users may experience itchiness on their feet during and after the massage. This is normal and is a result of improved blood circulation.*

• INSTANCES WHEN THE MASSAGER SHOULD NOT BE USED •

In the following circumstances, power off the massager and disconnect the power supply plug from the electrical outlet immediately: -

- If water is spilled on the massager.
- If severe or abnormal pain is felt during the massage. Stop operation and consult your doctor instantly.
- If you detect any malfunction or any other abnormal condition during operation.
- If there is a power failure, an injury may occur when power is restored unexpectedly.
- If there is lightning.

• PRODUCT CARE AND STORAGE •

- Be sure to remove the plug from the electrical outlet before cleaning the massager.
- Do not use benzene, thinner, or any other abrasive solvent on your massager.
- Use dry cloth when cleaning the massager. Never use a damp cloth to clean the massager or the power switch.
- When necessary, detach the fabric covers for cleaning to ensure good hygiene.
- When not in use for a long time, it is advisable that the power cord of the massager must be coiled properly.
- Do not store the massager near intense heat or an open flame. Do not leave the massager under direct sunshine for a long period of time. Store it in a dust and moisture free location.



• **DISASSEMBLY AND REPAIR** •

- Users must NOT disassemble or repair the massager themselves.
- The massager must only be serviced or repaired by a professional.

• **TECHNICAL SPECIFICATIONS** •

Model No.	1022
Voltage	220V
Power	80W
Rated Working Time	15 Minutes

• **CUSTOMER SUPPORT** •

CONTACT ADDRESS

USA

Nureca INC.USA
276 5th Avenue, Suite 704-397,
New York (NY) - 10001, USA

INDIA

Corporate Office (Mumbai)
Nureca Limited
128 Gala Number Udyog Bhavan,
1st Floor Sonawala Lane, Goregaon East
Mumbai City Maharashtra 400063

Contact us

India: +91-7527013265 /+91-9356658436

Website: www.drtrust.in

Corp Website: www.nureca.com

Email: customercare@nureca.com

Connect with us on social networks

Facebook: @drtrust

Instagram: @drtrustisin

Youtube: NurecaUsa

COPYRIGHT©2021 NURECA LTD ALL RIGHTS RESERVED



Scan to View
Product Demo Video
www.drtrustusa.com/1022