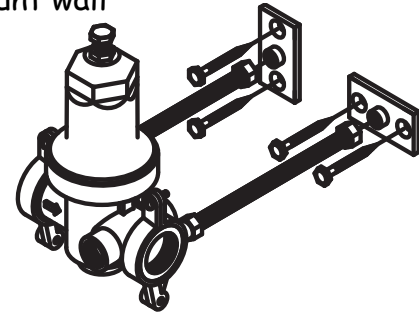
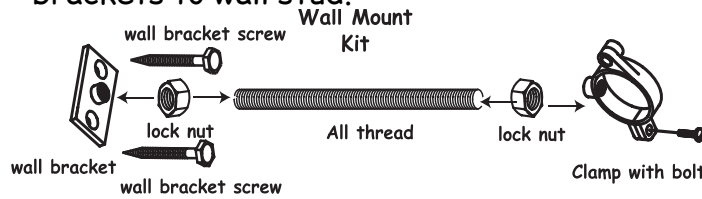


Installation Instructions:

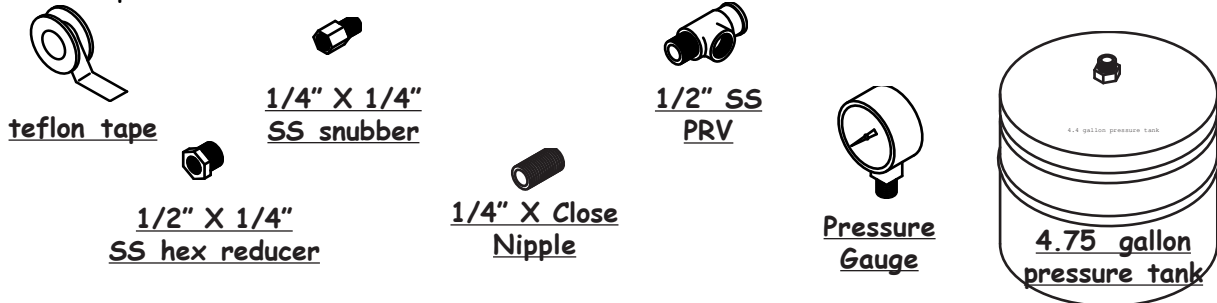
Step 1: The *pside-kick*[®] can be installed vertically (upright or upside down), horizontally, wall stud mount, or pipe mount. Mount to Wall (If not mounting to the wall, skip to step 2.)

- A) Thread two lock nuts on each all thread bolt about 2" in. Thread the wall bracket on one end of 3/8" X 6" all thread bolt and thread clamp to other end of it.
- B) Attach the clamps to the CSV1A with the bolts but do not tighten. Hold manifold to wall over a stud and mark the holes.
- C) Remove clamps from CSV1A and use wall screws to mount wall brackets to wall stud.



Step 2: Model PK1A

Wrap threads on all male fittings (1/4" x close nipples, 1/2" X 1/4" reducer bushing, 1/4" X 1/4" snubber, 1/2" PRV, pressure gauge, and pressure tank) with 5-7 layers of teflon tape.



Step 3:

Assemble the valve/manifold as shown. Be sure to thread the manifold on to the pressure tank last. The PRV will need to be plumbed to a drain or outside. If mounting to the wall, do not install pressure tank or pressure gauge until manifold has been mounted to wall. This kit can be installed in any position..tank up, down, or sideways.

