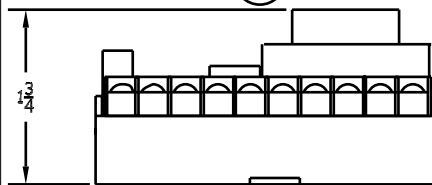
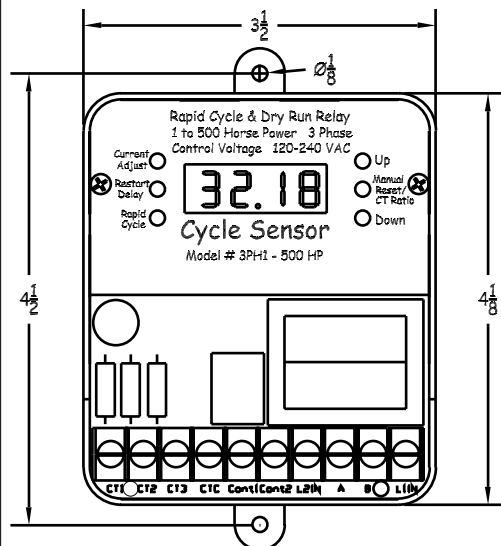




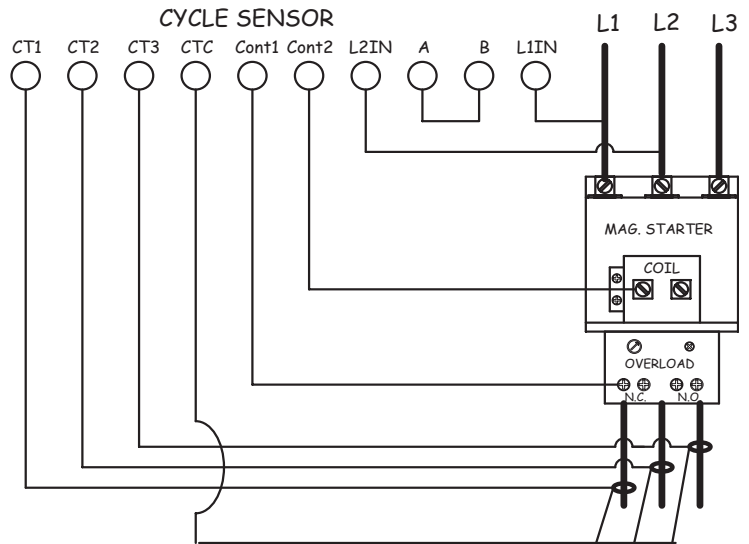
Cycle Sensor

Wiring Diagrams 3PH



Model CS3PH1-500HP

Wiring Diagram
240 VAC, 3 Phase Application (No Control Transformer)



Wiring Diagram
480 VAC, 3 Phase Application (Control Transformer)

