

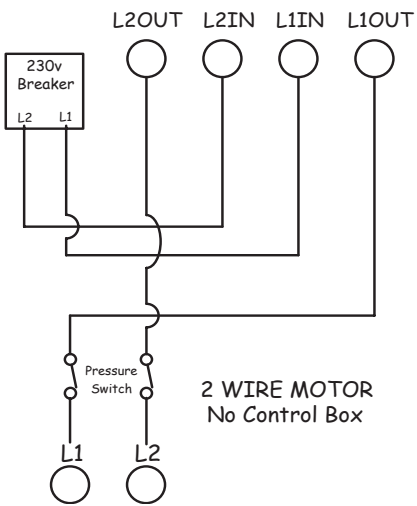
Cycle Sensor



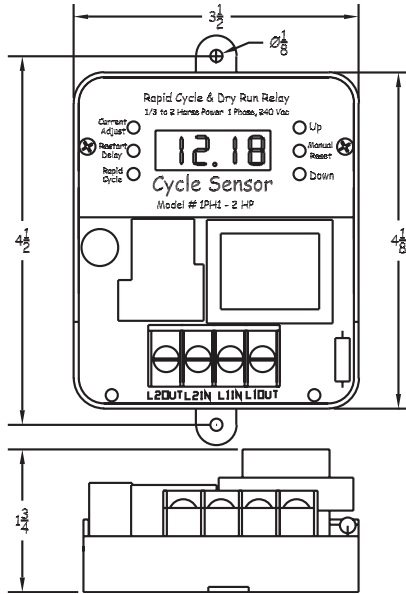
Wiring Diagrams 1PH - 1/3 to 2 HP - 240 VAC

Wiring Diagram

240 VAC, 1 Phase Submersible Application

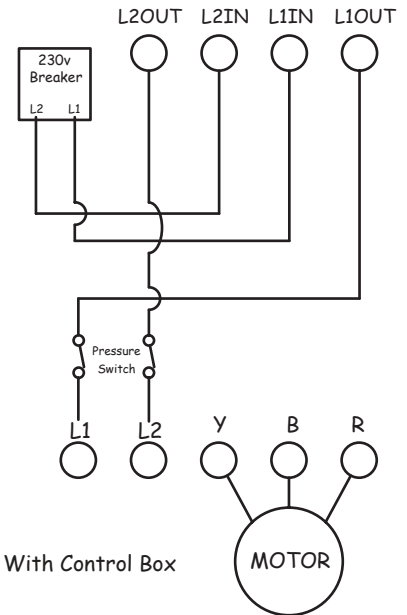


2 WIRE MOTOR
No Control Box



Wiring Diagram

240 VAC, 1 Phase Submersible Application



With Control Box

MOTOR