



Surface Material

The High-Pressure Laminate (HPL) surface used for our table tops is a Melamine-Urea-Formaldehyde Impregnated Paper which is also known as Melamine Paper. Considered to be one of the most durable and decorative surface materials available, HPL is abrasion, corrosion, and fire-resistant. Using a combination of high pressure, heat, and a quality resin, the surface is bonded to the core material creating a long-lasting, beautiful tabletop.



Core Material

The homogeneous particleboard used inside of our desks is manufactured from wood branches and surplus wood material. This ensures our manufacturing facilities utilize as much of the raw product as possible, minimizing waste. An Amino Resin is used as a binding agent before the material is pressed and extruded into the appropriate shape. The core material provides high sound absorption, requires minimal adhesive, and has an E0 formaldehyde release classification, a release amount less than 0.5mg/L.

Edge Material

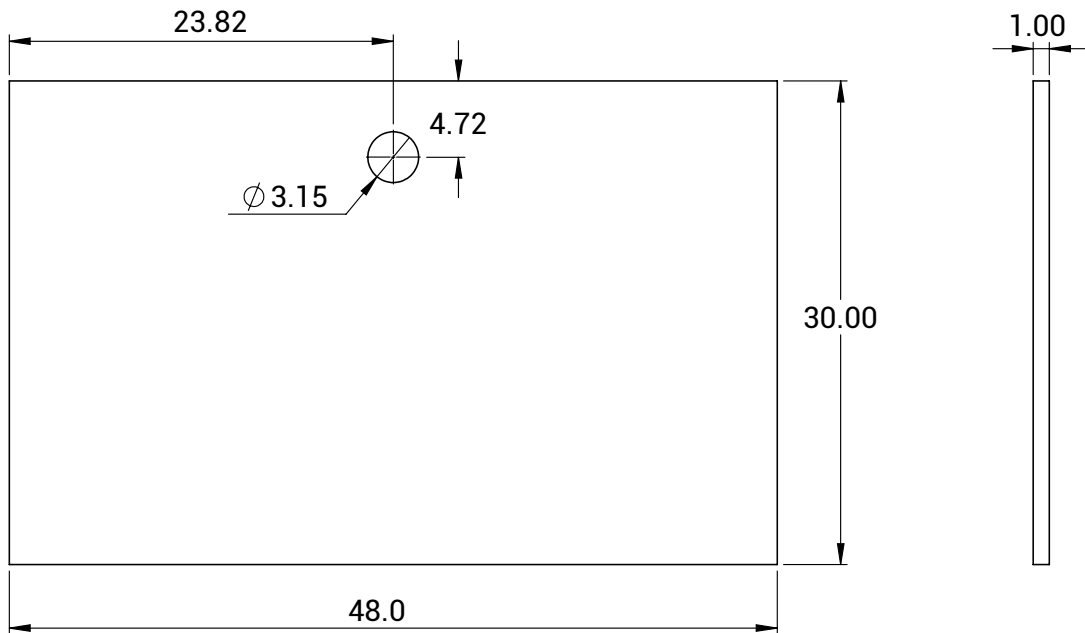
The edge band of the tabletops utilizes the lightweight, flexible, and strong properties of Polyvinyl Chloride (PVC). Using a combination of heat and adhesives, the strong edge is added to ensure longevity and high durability with our tabletops.

Solo Ryzer & Twin Ryzer

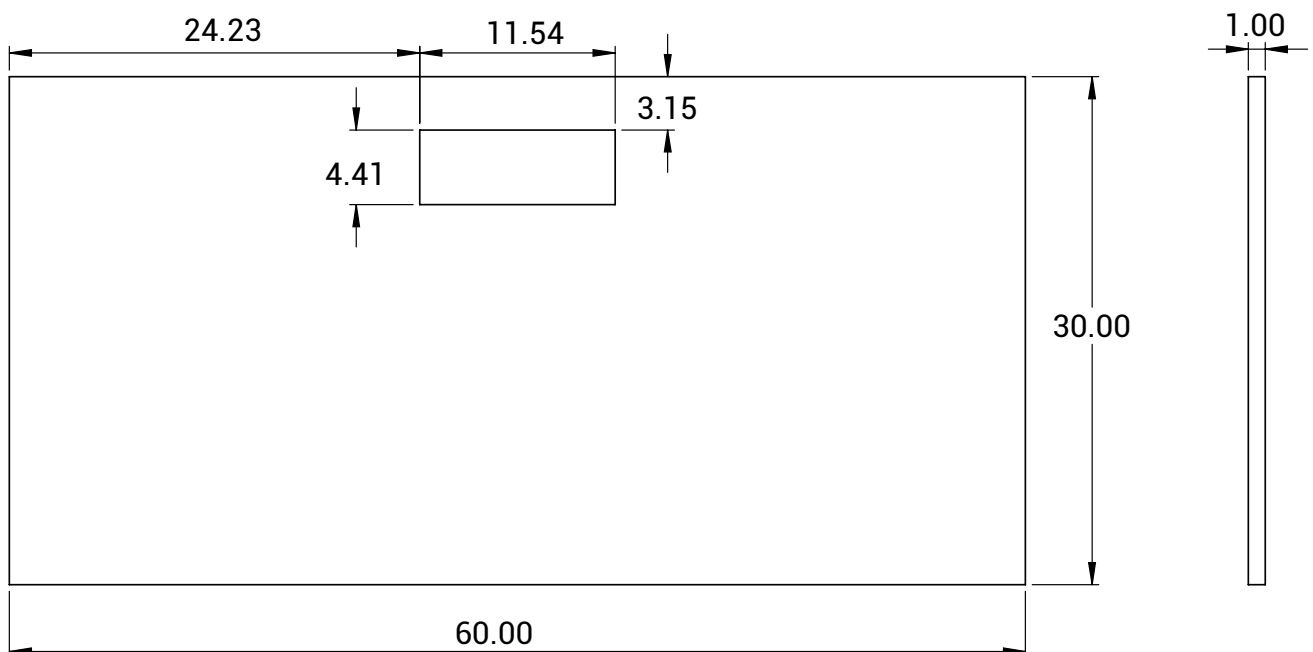
(Dimensions in inches)

48" x 30"

(Pre-drilled holes and hardware provided)

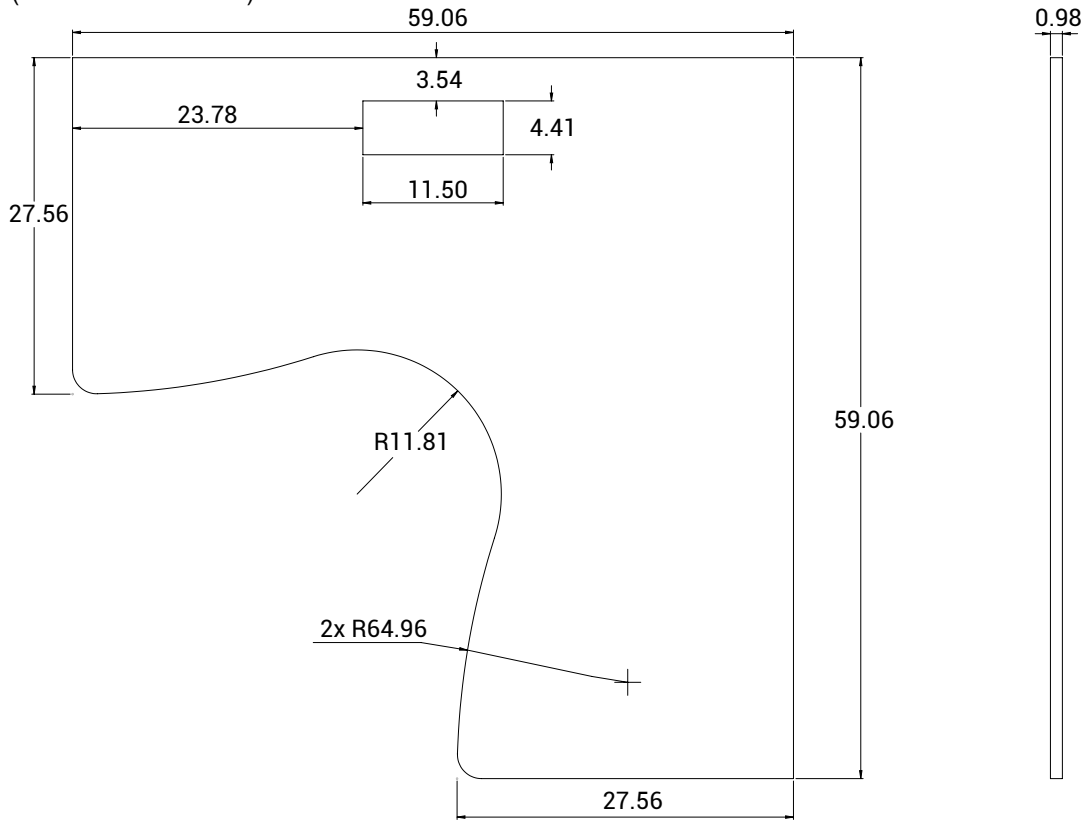
**60" x 30"**

(Pre-drilled holes and hardware provided)



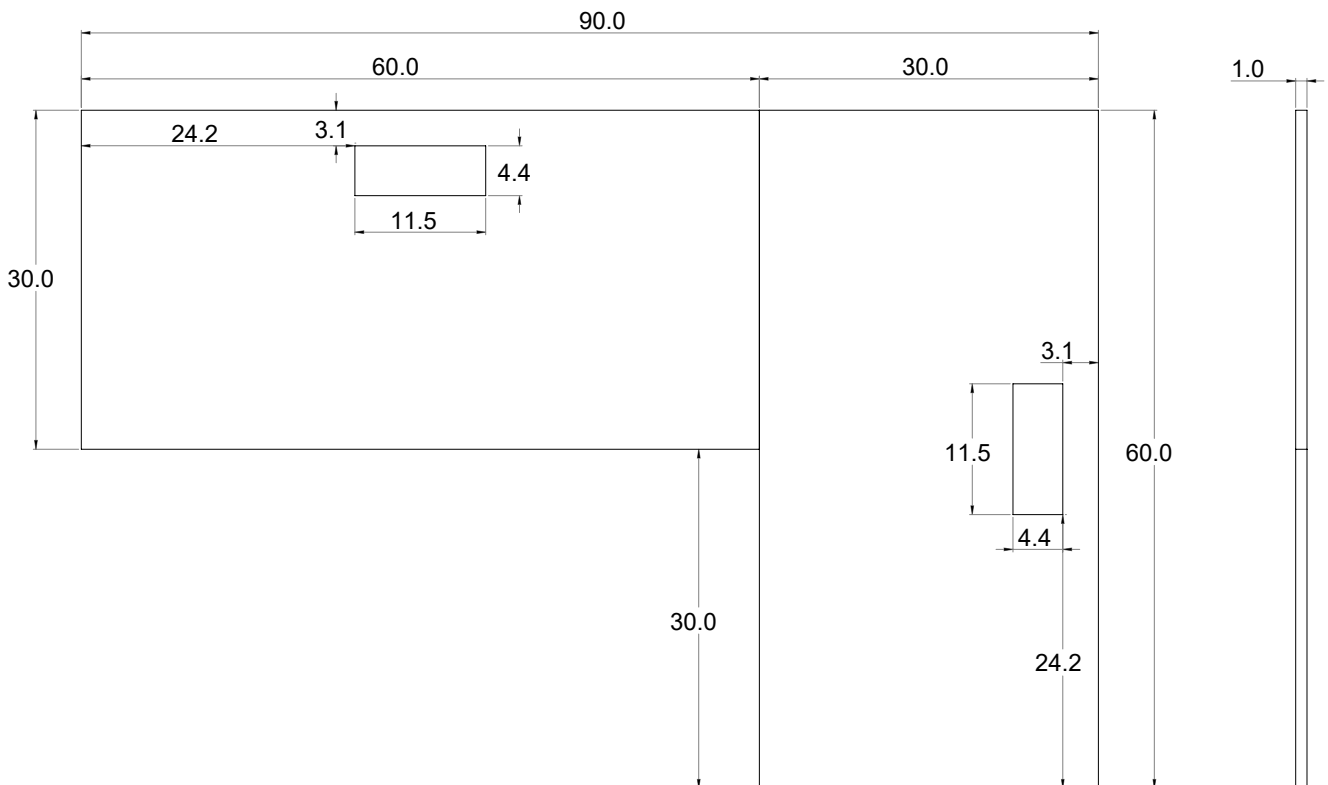
Corner Ryzer

(Dimensions in inches)



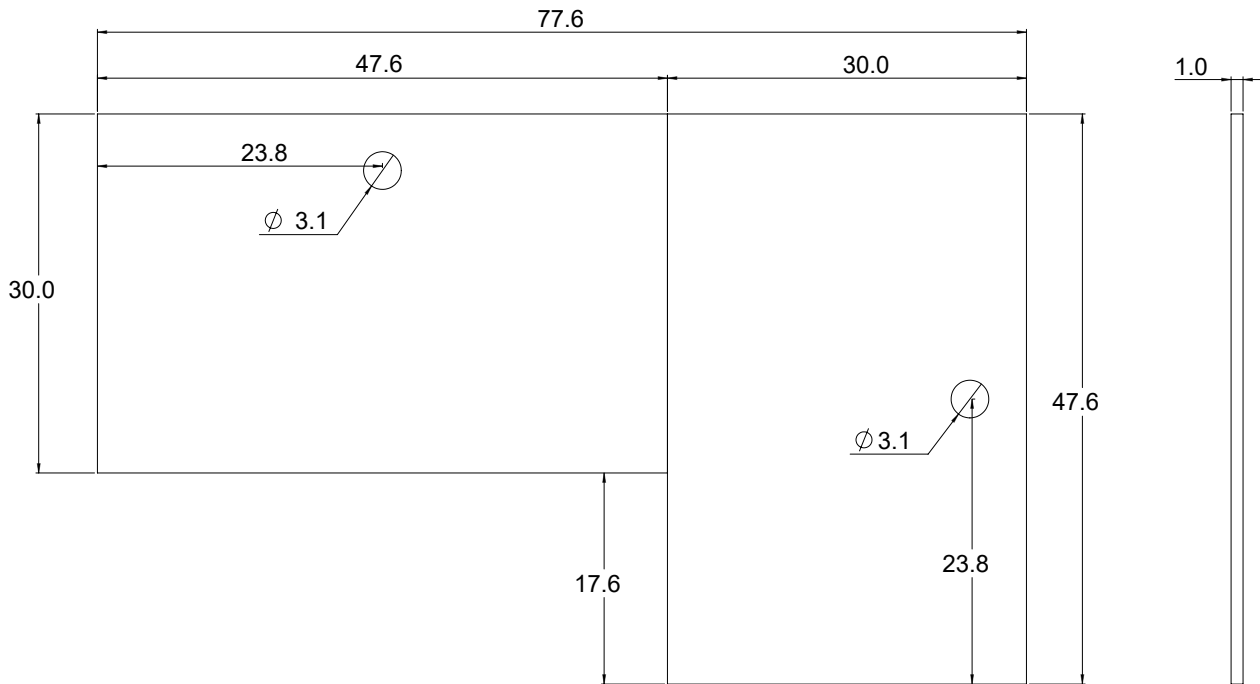
90.0" x 60.0"

(Pre-drilled holes and hardware provided)

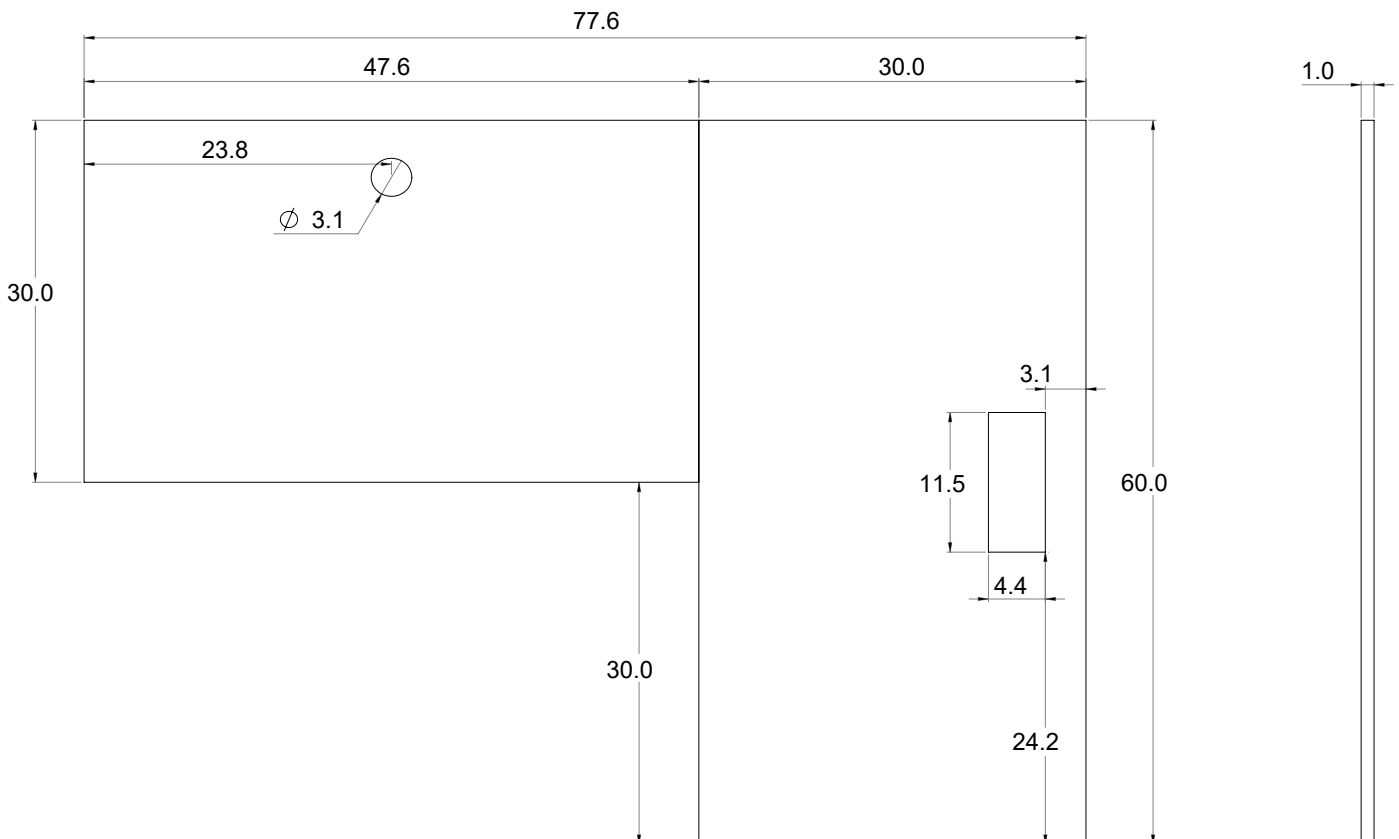


77.6" x 47.6"

(Pre-drilled holes and hardware provided)

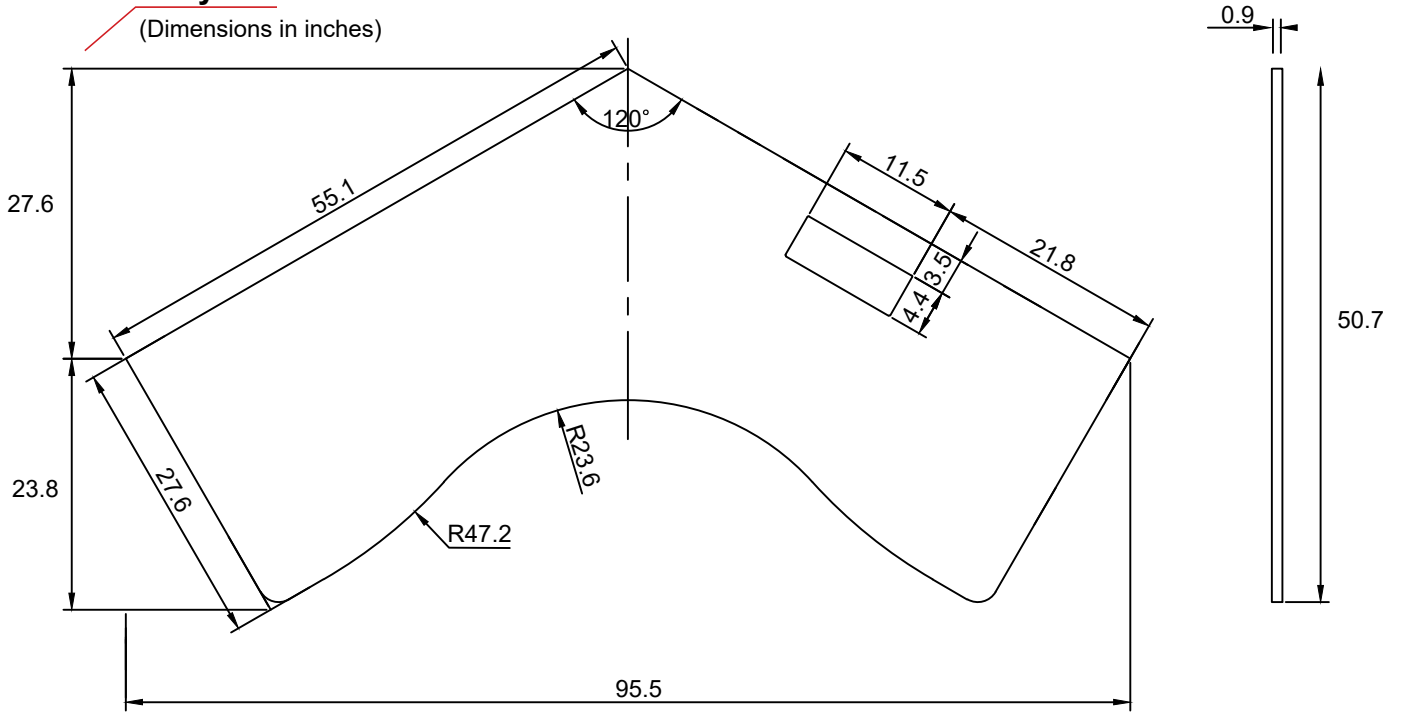
**77.6" x 60.0"**

(Pre-drilled holes and hardware provided)



V Ryzer

(Dimensions in inches)



We provide additional peace of mind to all of our customers with our standard eight-year warranty. This warranty applies to all of our high quality standing desks. It is extremely rare for any issues to occur with our products, but you can rest assured if something goes wrong with any part of your desk, you can usually get a replacement under our eight-year warranty.

What is Covered?

Under our eight-year guarantee, Progressive Desk will send a replacement product to your office if you experience issues with the following components:

- Tabletops
- Desk Frame
- Desk Remotes

If a problem occurs, simply email us at sales@progressivedesk.com with your original order number and a brief description of the particular issue you are experiencing with the standing desk. Once our engineers assess the issue and determine that you require a replacement desk we will be happy to ship a new product immediately. We will also cover any ground shipping costs, so all you need to do is await the arrival of your replacement standing desk.

What is not Covered?

If you or your staff have made any type of modification to the desk this may make the item ineligible for replacement under the eight-year warranty. Other factors such as improper use and exposure to normal wear and tear at the workplace are also not covered by our warranty. Lastly, we are unable to cover items that have been lost or damaged due to an unavoidable accident like flooding or a hurricane.

Outside Warranty Coverage

Maintaining strong relationships with our existing customers is important to us at Progressive Desk. That is why we are pleased to offer special discounts on newer desk models to replace out of warranty items. If you're looking to update your existing standing desks, be sure to contact us and ask about our discounts.

Contact Us**PROGRESSIVE DESK CANADA**

160-6691 Elmbridge Way
Richmond, British Columbia
V7C 4N1, Canada

PROGRESSIVE DESK USA

6015 180th Street, NE Ste #103
Arlington, Washington
98223, United States

MAILING & BILLING ADDRESS

11388 Steveston Hwy
PO Box 96007
Richmond, British Columbia
V7A 5J5, Canada

Toll Free: 1-800-828-9414

Toll Free Fax: 1-800-828-9414

Email: sales@progressivedesk.com