



## Contents

Caution	1
Specifications	2
Dimensional Drawing	3
Components	4
Assembly	5-6
Operation & Reset Procedure	7
Tabletop Bracket Installation	8
Troubleshooting	9



Ensure no obstacles are in the desk's path. Ensure the tabletop is not touching any walls. Ensure all cords are appropriate length to accommodate the change in height.



**Warning**  
**Pinch Point**  
Keep hands and fingers clear.



Keep children away from electric height-adjustable desks, control units, and handsets. There is a risk of injury and electric shock.



Keep all electrical components away from liquids.



Do not sit or stand on the desk frame. Do not crawl or lie under the desk frame.



Do not place any objects taller than 20" underneath the desk.



During the Reset Procedure, the desk will retract **7mm below the lowest normal operating height**, ensure no obstacles impede this motion of travel.

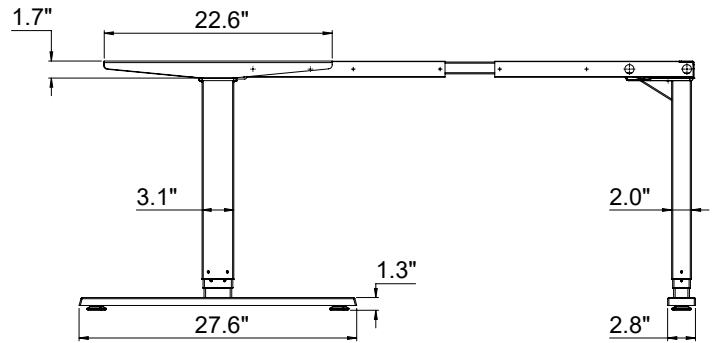
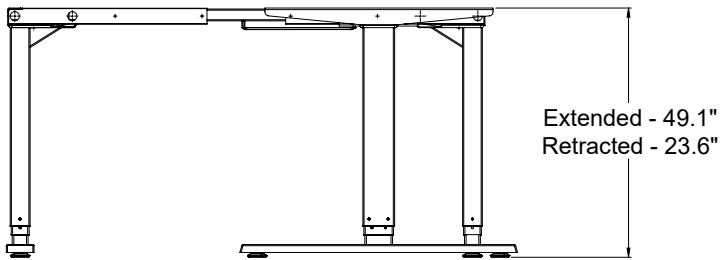
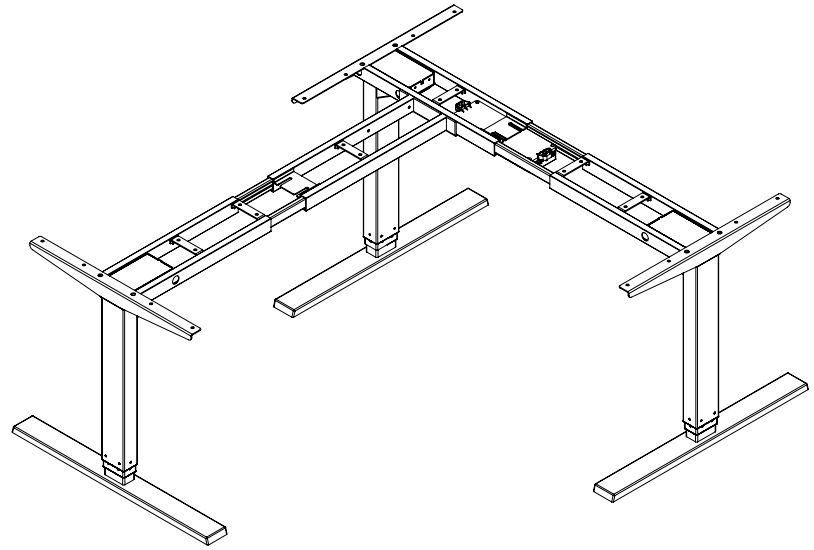
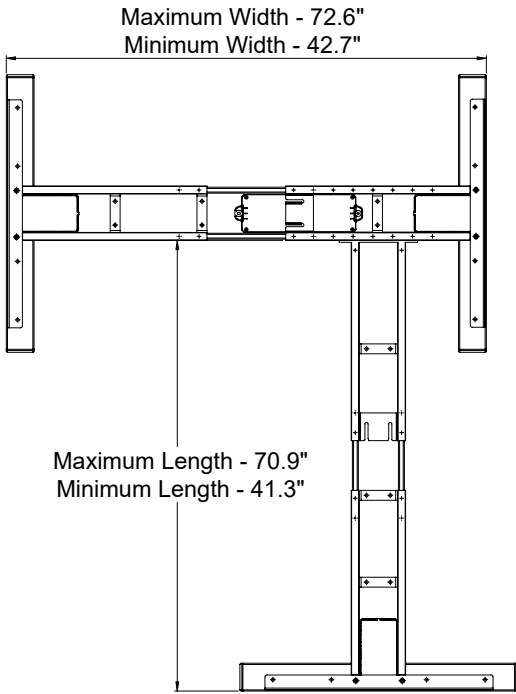


Under no circumstances does the manufacturer accept warranty claims or liability claims for damages caused by improper use or handling of the table lift.

Input Voltage	120VAC, 60 Hz
Output Voltage	24VDC
Stroke (movement)	25.5"
Height Range (without tabletop)	23.6" - 49.1"
Weight Capacity (load)	330 lbs (110 lbs per leg)
No Load Speed	1.57"/s
Full Load Speed	1.18"/s
Duty Cycle	10% (2 minutes on, 18 minutes off)
Operating Noise	< 50 dB
Frame Material	SPCC/ SPHC Steel
Finish	Powder Coat - White, Black, Grey
Leveling	Adjustable Leveling Feet
Low Power Mode	Standby < 0.1W
Protection Class	IP51 Legs and IP20 Controller
Certification	UL and BIFMA United Certificate

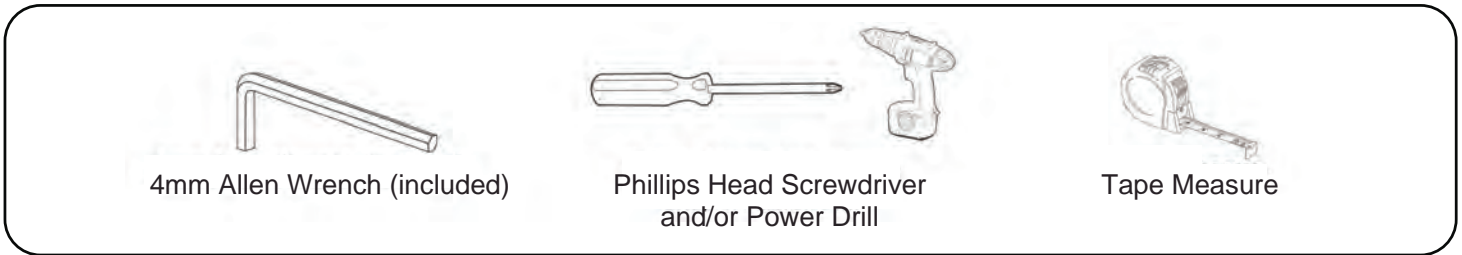
Feature	Description
Soft Start and Stop	The tablelift will accelerate to maximum speed and decelerate to a stop to ensure smooth travel.
Memory Presets	The Smart Remote has the ability to save preset height locations for convenience. Set the numbered buttons on the Smart Remote for quick and seamless adjustment.
Anti-Collision	The Anti-Collision feature will help protect the tablelift against obstacles which impede the motion of travel. There are 3 force settings which can be detected during travel, 22lbs, 33lbs, and 44lbs.

# Dimensional Drawing

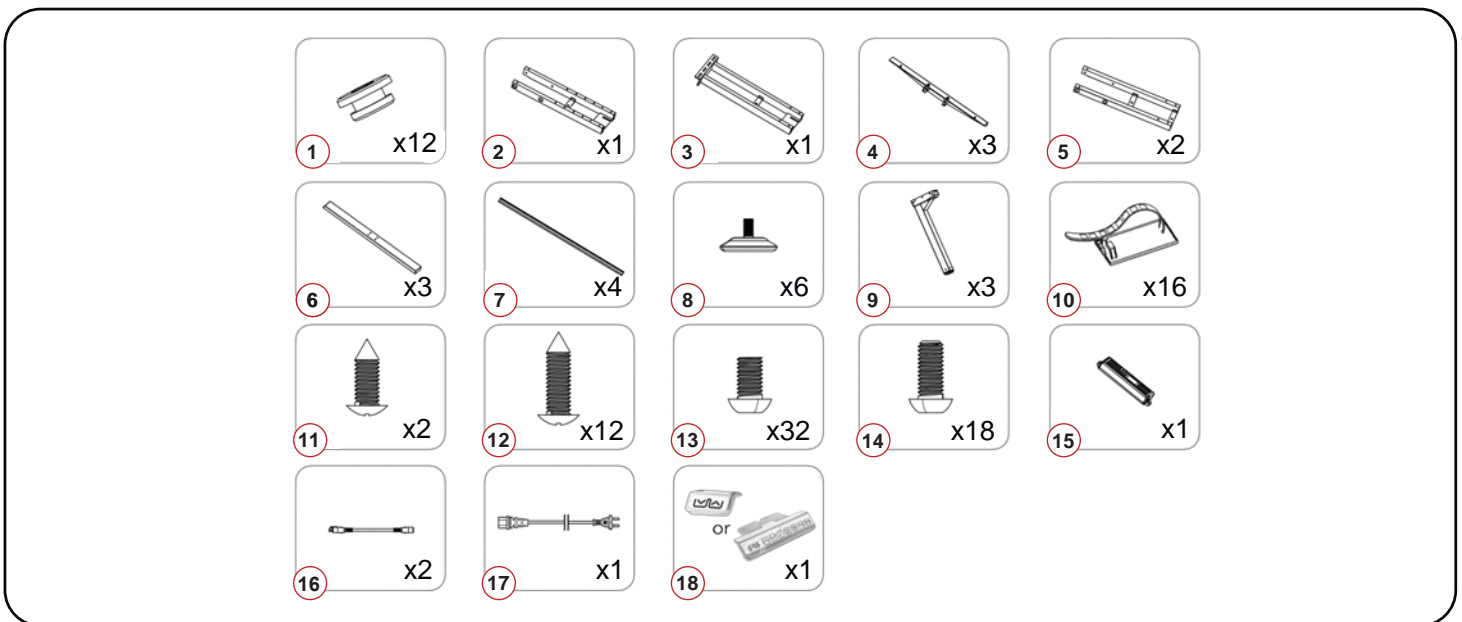


\*Feet and column style may vary slightly

## Tools



## Parts



## Parts List

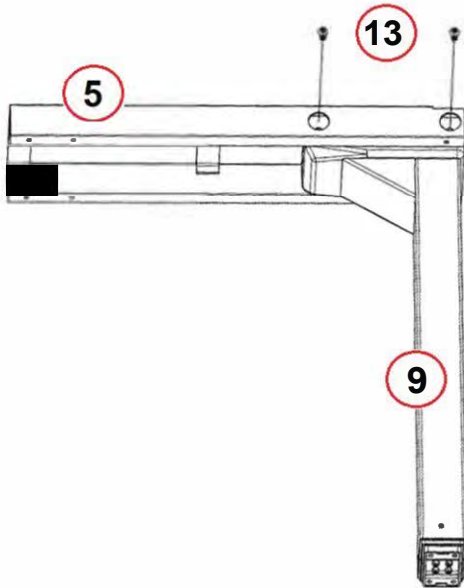
NO.	Description	Qty
1	Rubber Block	12
2	Frame 1	1
3	Frame 2	1
4	Side Bracket	3
5	Frame 3	2
6	Foot	3
7	Ceter Rail	4
8	Caster	6
9	Leg	3
10	Cable Clip	16
11	ST5x16 Wood Screw	2
12	ST5x20 Wood Screw	12
13	M6x10 Machine Screw	32
14	M6x14 Machine Screw	18
15	Control Box	1
16	Cable (1.3m)	2
17	Power Cord	1
18	Handset	1

## STEP 1

Place one of the Legs (9) into Frame 3 (5). Line up the holes on the Leg (9) with the holes on Frame 3 (5).

Using the supplied Allen Wrench, insert four M6x 10 Machine Screws (13) through the holes in the Frame (5), going into the Leg (9) and rotate each screw just a few times. After all four screws are inserted, tighten them all.

Follow these steps for the other two Legs (9) and other Frames (2,5).



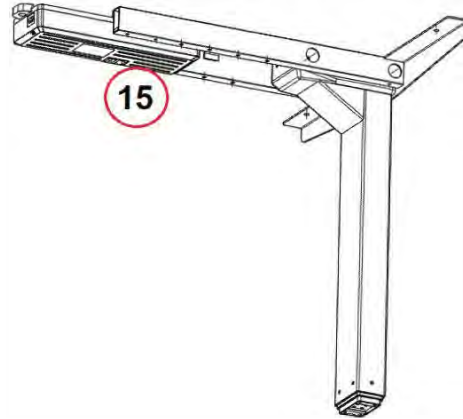
## STEP 2

Choose the appropriate Side Bracket (4) and slide it into the Frame (5). Insert two M6x14 Machine Screws (14) through the two holes in the top of the side bracket going into the frame end. Using the supplied Allen Wrench, rotate each screw just a few turns. After both machine screws are inserted, tighten them both. Repeat for the other frame ends.



## STEP 3

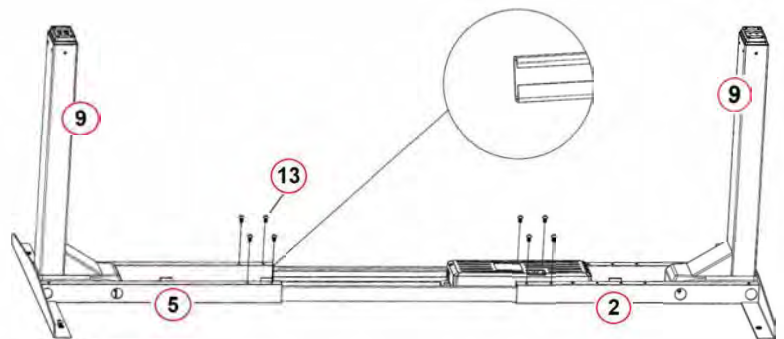
The Frame 1 (2) should be placed on the side of the desk where you plan to mount the Control Box (15). Slide the Control Box into the Frame (2).



## STEP 4

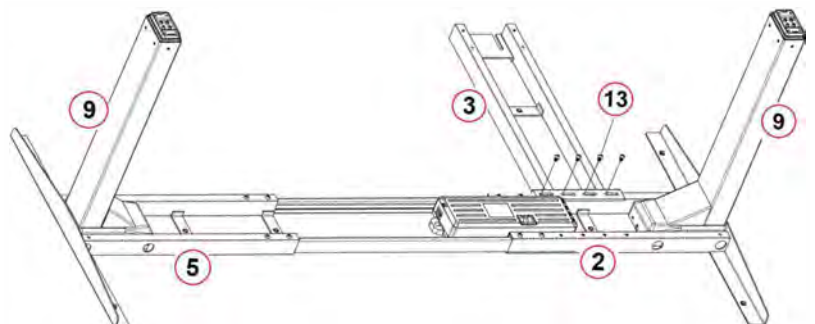
Slide the two Center Rails (7) into the two Frames (2,5) ensuring that the slots in the Center Rails face inward and are closer to the top edge when the assembly is upside down (see image).

Lock the position of the Center Rails (7) using eight M6x10 Machine Screws (13).



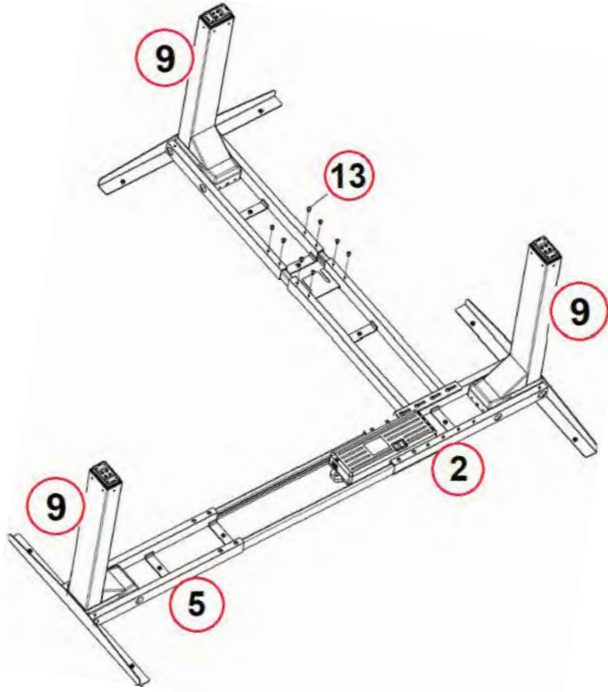
## STEP 5

Using four M6x10 Machine Screws (13) to link Frame 2 (3) and Frame 1 (2) as shown in the image below.



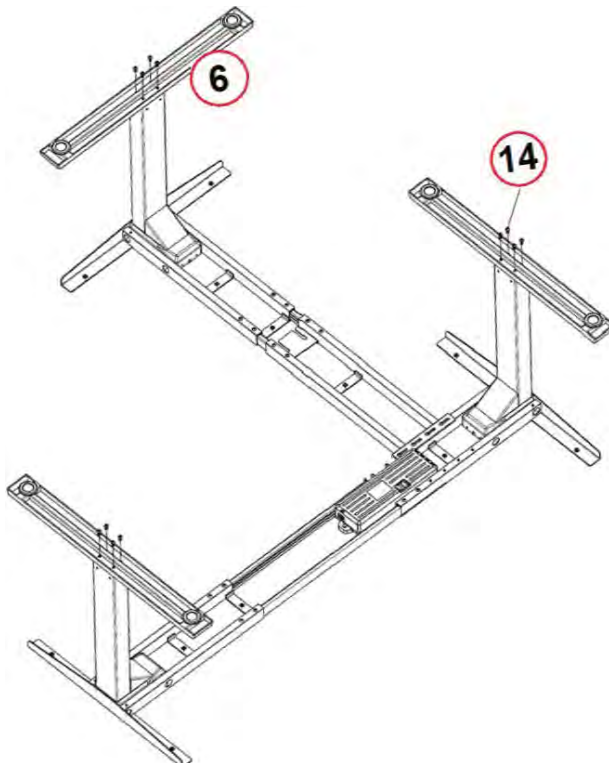
## STEP 6

Lock in the position of the Center Rails (7) using eight M6x10 Machine Screws (13) as shown in the image below.



## STEP 7

Attach each Foot (6) with four M6x14 Machine Screws (14) and tighten them in a cross-pattern.



## STEP 8

We recommend having at least two people for this step. Grab the base (the legs) of the assembled frame and turn it right side up.

## STEP 9

Plug the Power Cord (17) into a 110V outlet and plug in all three cables from the Legs into the Control Box. Use the two Cables (16) for the two farthest legs. It is now ready for use.

## IMPORTANT

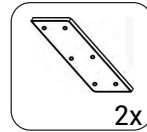
Prior to normal operation, please complete a Reset Procedure outlined in the next section.

## Required Tools



Phillips screwdriver

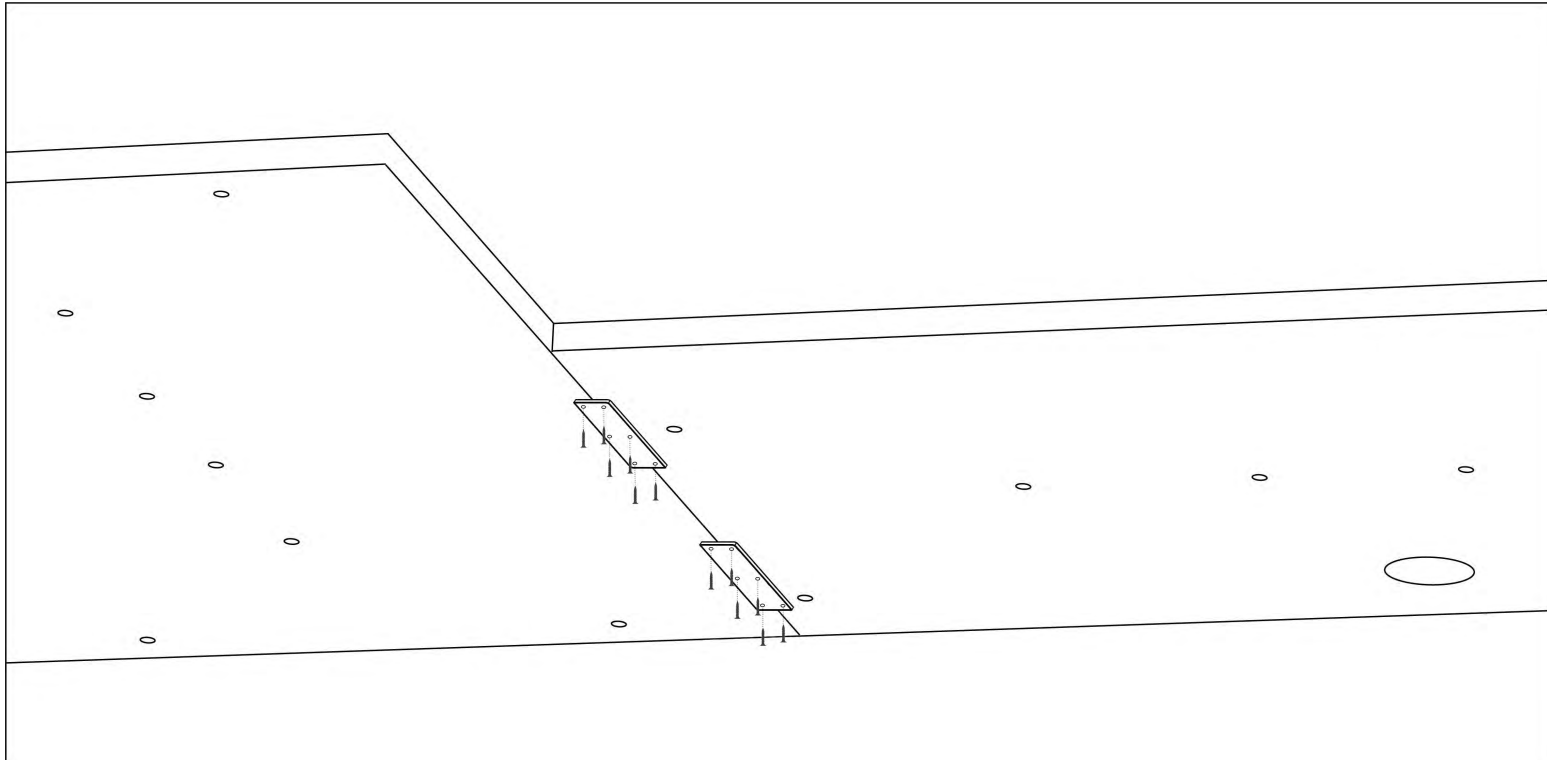
## Included Parts



Straight Bracket



M5x20 Self Tapping Wood Screw

**STEP 1**

Raise the standing desk.

**STEP 2**

Check that the two tabletops are positioned correctly and fully secured to the table lift frame before proceeding.

**STEP 3**

Position the bracket on the underside of the tabletops, as shown in the image above. Ensure the side of the bracket with the countersunk holes is facing away from the tabletop.

**STEP 4**

Use a screwdriver to secure the bracket using 8 self tapping wood screws to the tabletops. Do not over tighten.

**STEP 5**

Repeat these steps for the second bracket as shown in the image above.



### Normal Operation

Using the wired remote, press and hold the 'Up' button to raise the table lift. To lower the table lift, press and hold the 'Down' button. The 'Up' and 'Down' buttons are momentary controlled, when they are released, the table lift will stop immediately.

To set a preset location, move the table lift to the desired height. Press the 'M' button followed by a numbered button. The LED display will flash an 'S', followed by an 'S - Number'. This will indicate that the preset has been saved.

To use a preset, press any of the numbered buttons and the table lift will begin to move to the preset position. It is important to ensure that no obstacles impede the motion of travel. To stop the table lift, press any button.

If the table lift does not function as intended or the LED display flashes "RSt", please follow the Reset Procedure outlined in the next section.

### Setting the LED Display

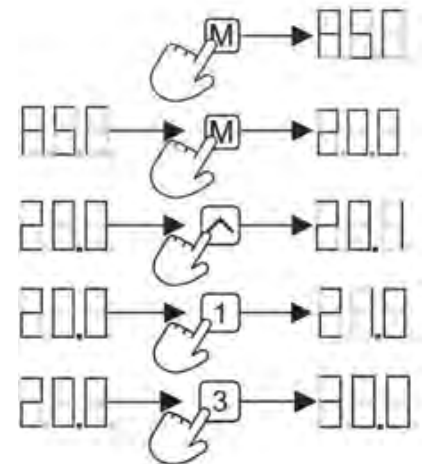
Using the wired smart remote, retract the table lift to the lowest position. Press and hold the 'Down' button again until the LED display flashes "RSt".

Press and hold the 'M' button until the LED display flashes the starting height (if the display returns to "RSt" before the next step, repeat this step).

To change the value of the starting height, use the 'Up', 'Down' to increase and decrease by 0.1. Use the '1', '2' to increase and decrease by 1s. Use the '3', and '4' buttons to increase or decrease by 10s.

Once the correct value is displayed, wait 5 seconds until the LED display flashes "RSt". Follow the Reset Procedure outlined in the next section to save the new starting height.

Note: the LED display has a tolerance of  $\pm 0.1$ .



## Reset Procedure

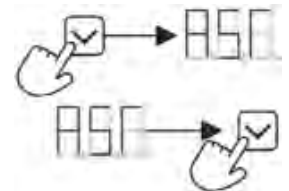
**WARNING: During the Reset Procedure, the table lift will retract 7mm below the lowest normal operating height, please ensure that no obstacles impede this motion of travel.**

1. Move the table lift to the lowest position. (If there is an 'RSt' displayed on the remote, continue to step 3.)

2. To initiate the Reset Procedure, press and hold the down button on the remote until "ASr" is displayed. Release the down button.

3. Press and hold the down button on the remote, the table lift will begin to retract 7mm lower than the lowest normal operating height. To stop motion at any time, let go of the down button.

4. Once the table lift has completed the Reset Procedure, height will be displayed on the remote.



Troubleshooting Guide		
Problem	Possible Cause	Corrective Action
Remote LED is off.	Low power mode activated	Press any button on the remote and LED will activate.
	Connection issue	Disconnect and reconnect the RJ-45 remote connector. Ensure connection is secure and cable is not damaged.
Table lift does not move when motion control buttons are pressed.	Limit switch reached	Follow "Setting Limit Switches" instructions to remove the programmed limit. If maximum or minimum height limit has been reached, please move the system in the opposite direction.
	Connection issue	Disconnect and reconnect the Lifting Columns, Control Box, AC Power, and Remote.
Table lift travels at a significantly slower speed than rated specification.	Weight issue	Ensure weight capacity has not exceeded the maximum load rating.
Unusual noise during travel.	Weight issue	Ensure weight capacity has not exceeded the maximum load rating.
Table lift stops abruptly during travel.	Obstacle	Ensure there are no obstacles in the path of the table lift. If the movement continues to fail, initiate the Reset Procedure.
Table lift is not level.	Out of sync	Disconnect and reconnect all cables (Lifting Column, Control Box, AC Power, and Remote), then initiate the Reset Procedure.

Error Codes (remotes with LED display)		
Error Code	Error Summary	Description
E01	M1 overcurrent protection	All columns stop moving and remote displays E01-E04. Ensure that the total weight capacity of the table lift has not been exceeded and that no obstacles obstruct the movement. Press any key and remote will display RST, initiate the Reset Procedure. If the issue persists, disconnect and reconnect all of the lifting columns, including the main power. Repeat the Reset Procedure.
E02	M2 overcurrent protection	
E03	M3 overcurrent protection	
E04	M4 overcurrent protection	
E07	M1 hall error	All columns stop moving and remote displays E07-E10. Ensure that all columns are still properly connected to the control box. Check to see if any cables have been damaged. Press any key and remote will display RST, initiate the Reset Procedure. If the issue persists, disconnect and reconnect all of the lifting columns, including the main power. Repeat the Reset Procedure.
E08	M2 hall error	
E09	M3 hall error	
E10	M4 hall error	
H01	Over heat /duty cycle protection	All columns stop moving, remote displays H01 (if LED screen available). Allow the system to rest for 16 minutes, use normally. Follow the Duty Cycle rating to ensure no issues arise from overheating.