

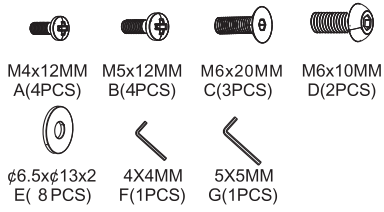


**VESA**  
75x75  
100x100

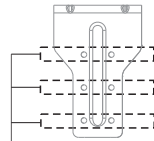
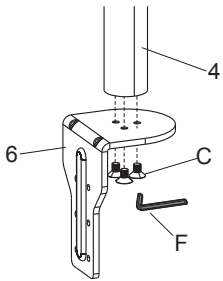
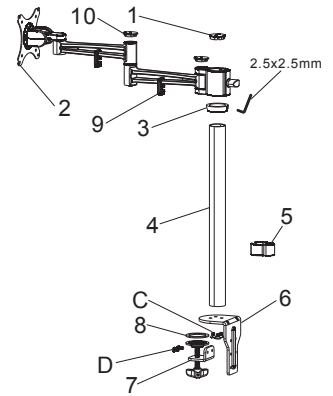
**max**  
10kg  
22lbs

  
17" - 30"

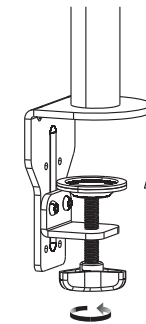
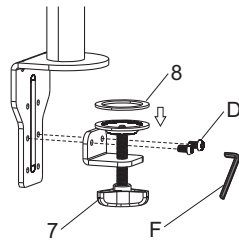
  
-85° ~ 15°



1. Tube Cover (1PC)
2. Monitor Plate (1PC)
3. Fixed Wreath (1PC)
4. Tube (1PC)
5. Cable Cover (1PC)
6. Main Support (1PC)
7. Securing Knob (1PC)
8. Anti-Slip Rubber (1PC)
9. Cable Management (2PCS)
10. Decorative Cover (2PCS)



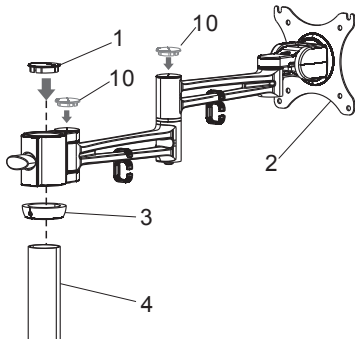
▶ Please select the appropriate mounting holes according to the thickness of desk.



Tighten

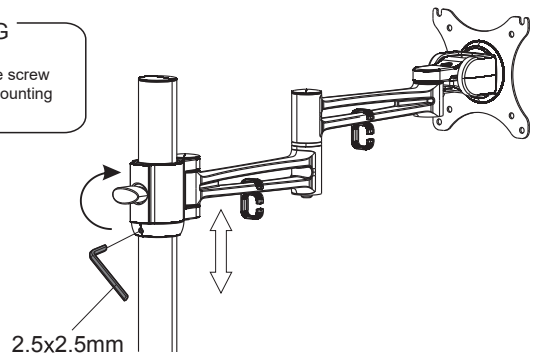


1

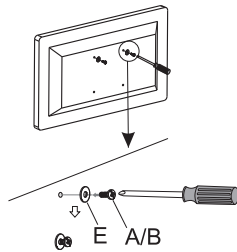


**WARNING**

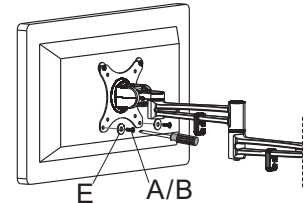
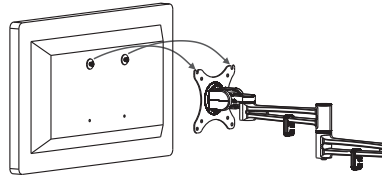
Ensure the Monitor Plate screw is tightly locked before mounting the screen



2



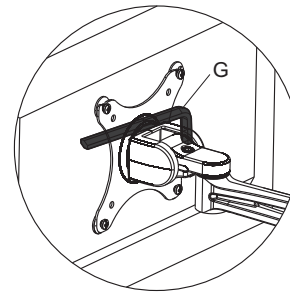
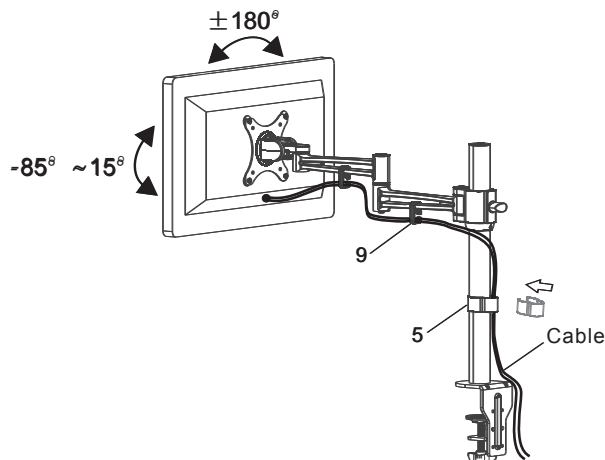
Increase washer(E) based on actual situation



3



5x5mm  
G



Adjust the monitor with the supplied 5x5 allen key(G)

4

**CAUTION**

This product contains small items that could be a choking hazard if swallowed. Please keep these items away from young children.

1. Make sure these instructions are read and completely understood before attempting installation. If you are unsure of any part of this installation, please contact a professional installer for assistance.

2. The desk or mounting surface must be capable of supporting the combined weight of the mount and the display, otherwise, the structure must be reinforced.

3. Please check the joining parts every two months, making sure the screws have not loosened during use.

This product is designed to be installed on a desk. Before installing, make sure the mount will support the combined load of equipment and hardware. Never exceed the maximum load capacity of 10kg, or else it may result in product failure or personal injury.

Note: this product is intended for indoor use only.

Use of this product outdoors could lead to product failure or personal injury.