



**INSTALLATION INSTRUCTIONS / OWNER'S MANUAL:  
ROOF RACK  
UNIVERSAL FITMENT FOR INSTALLATION ON TOP OF TOY BOX BED  
COVERS OR AUDIO SHADE ROOFS**

*www.hoppeindustries.com*  
22667 FM 15 Troup, TX 75789  
(262) 552-2770

Thank you for choosing the Hoppe *Roof Rack*. We hope you enjoy the product and we ask that you follow these instructions very closely. Doing so will save you time and ensure that your experience with the new *Roof Rack* is a positive one.

**We strongly suggest that you read the complete instructions before beginning the installation process to eliminate the possibility of performing unnecessary work.**

Having a safe and clean environment and using the proper tools is essential for a successful installation.

**It is critical that proper eye wear, ear protection, and protective clothing is worn throughout the top installation.**

When you receive your *Roof Rack*, please check to ensure that all parts and hardware are included. If there are any parts missing or if you have any questions concerning the *Roof Rack* at this time call Hoppe at (262)-552-2770 Mon-Thur. 8am-5pm CST. Or you can email us at [tech@hoppeindustries.com](mailto:tech@hoppeindustries.com).

Hoppe reserves the right to change specifications, equipment, or designs at any time without notice and without incurring obligation.

# **TABLE OF CONTENTS**

SECTION 1 – <i>Tools Required</i> .....	4
SECTION 2 – <i>About your Audio Shade Top</i> .....	4
2.1 Applicable Year Models: .....	4
2.2 Audio Equipment Details:.....	4
2.3 Warranty: .....	4
2.4 Care and Maintenance: .....	5
2.5 Warnings: .....	5
SECTION 3 – <i>Pre-Installation Inspection</i> .....	6
SECTION 4 – <i>Installation</i> .....	7



## **SECTION 1 – Tools Required**

- Socket wrench set
- Combination wrench set
- Allen wrenches or sockets
- Small impact or screw gun
- Cordless drill and bits.
- Wire cutters
- Screw driver set
- 6ft step ladder
- Black RTV silicone

In addition to the above items, you may need shop supplies such as electrical tape, wire ties, thread locking compound.

## **SECTION 2 – About your Roof Rack**

### **2.1 Applicable Year Models:**

This *Roof Rack* is designed to fit the following products:

- Any Hoppe *Toy Box* bed cover / shell
- Hoppe *Audio Shade* roofs for utility oriented SXS
  - Can-Am Defender
  - Can-Am Defender Max
  - Polaris Ranger
  - Polaris Ranger Crew
  - Honda Pioneer 1000-5
  - Honda Pioneer 1000-6
  - Kawasaki Mule Pro

### **2.2 Equipment Details:**

Your *Roof Rack* is constructed of durable aluminum. At under 50 lbs. it is designed to be light weight and maximize overall payload capacity while remaining durable.

Your *Roof Rack* has a cargo capacity of 100 lbs. evenly distributed.

### **2.3 Warranty:**

Your *Roof Rack* comes equipped with a 1-year limited warranty covering the entire assembly. The date of warranty coverage will be determined by the registration date of the warranty card or online warranty registration.

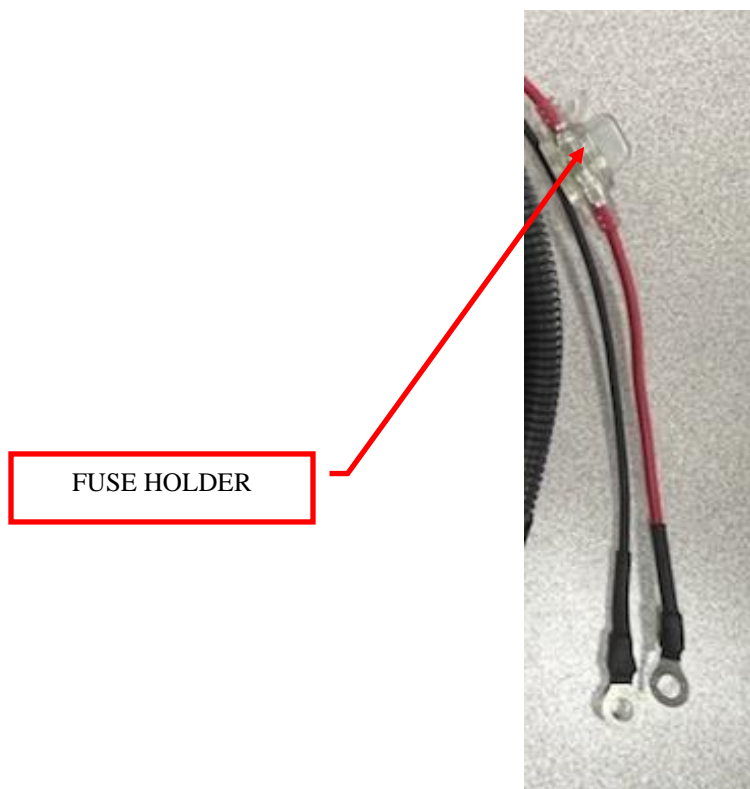
<http://www.motortrike.com/TrikeAccWarranty.aspx>

If the warranty is not registered with Hoppe, the warranty period will begin when the *Roof Rack* was shipped from Hoppe's factory.

## **2.4 Care and Maintenance:**

Your *Roof Rack* does not require any maintenance other than an occasional cleaning. To clean your top, simply hose off or power wash from a distance. If needed, use a mild automotive soap and sponge or brush.

An inline fuse for the *Roof Rack* lighting is located near the battery. Locate the battery and look for a fuse holder connected to the positive battery terminal. See Figure 1.



**Figure 1: Fuse locations.**

## **2.5 Warnings:**

This *Roof Rack* adds up to 150 lbs. with cargo to your vehicle and is located up high on the bed. This increases the vehicles center of gravity and can change the vehicle dynamics and handling characteristics. Use extra caution as you learn the driving characteristics of your vehicle's performance with your new *Roof Rack* installed. High speed cornering, off camber or side hill, acceleration, and braking performance may be negatively impacted by the weight of the *Roof Rack* and cargo especially if combined with other equipment.

## **SECTION 3 – Pre-Installation Inspection**

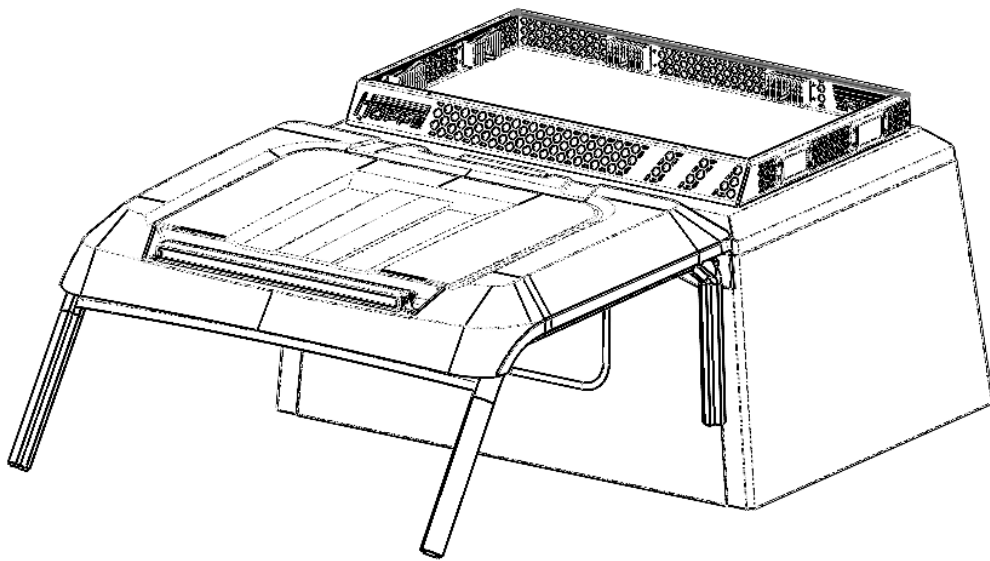
Included in your *Roof Rack* are the following components:

- 1 aluminum painted roof rack
- 6 lights pre-installed and wired
- 1 chassis harness and rocker switch
- 1 hardware bag.

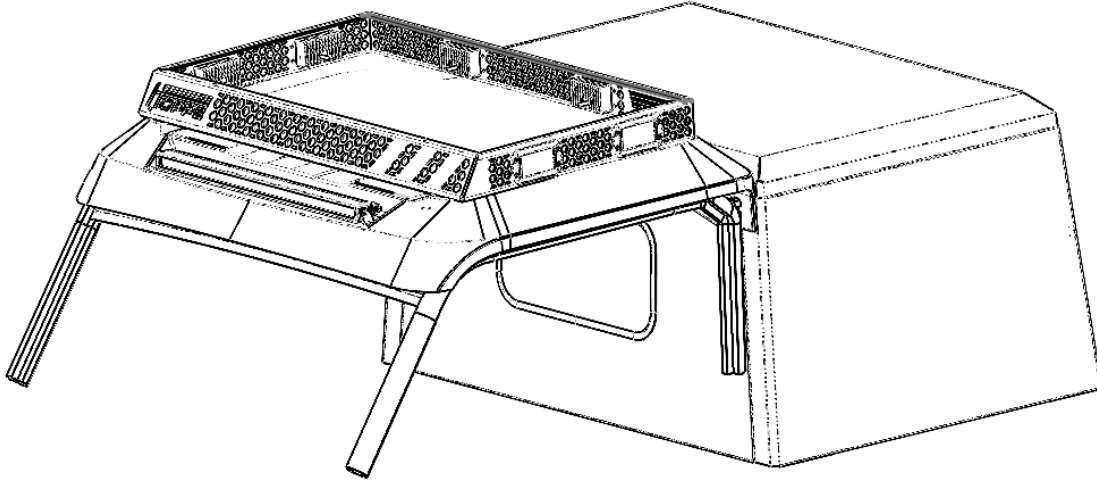
If any of the parts are missing, damaged, or you have any questions concerning them, please call Hoppe at (262)-552-2770 Mon-Thur. 8am-5pm CST.

## **SECTION 4 – Installation**

1. Using an assistant, place the Roof Rack on top of the surface you intend to mount it to (either Toy Box or Audio Shade roof). Using a tape measure, center the roof rack left to right and adjust it front to back to the desired position. Mark the corners with masking tape to ensure it can be easily repositioned if bumped. See Figure 2 for Toy Box mounting. See Figure 3 for Audio Shade mounting. Note: Can-Am Defender model shown. Others similar.

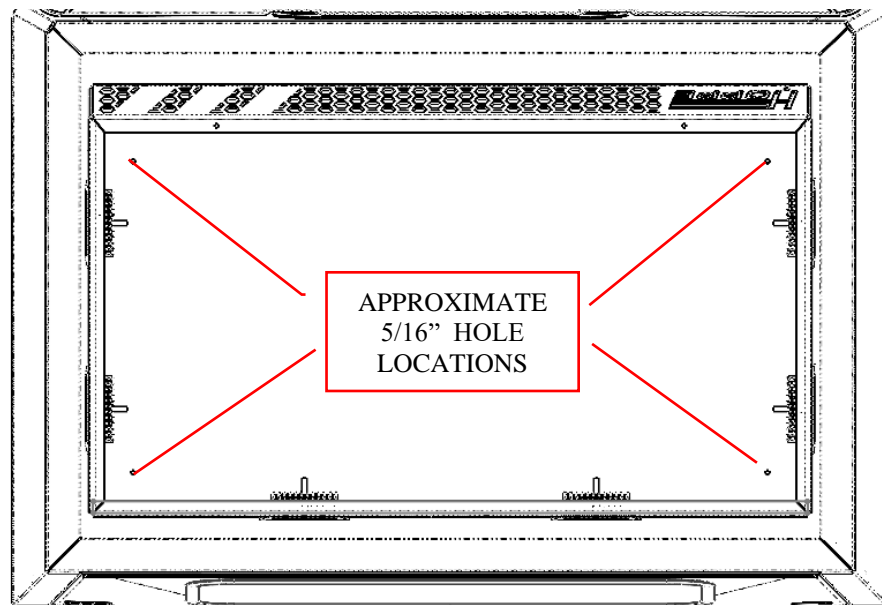


**Figure 2: Roof Rack shown on top of Toy Box.**



**Figure 3: Roof Rack shown on top of Audio Shade.**

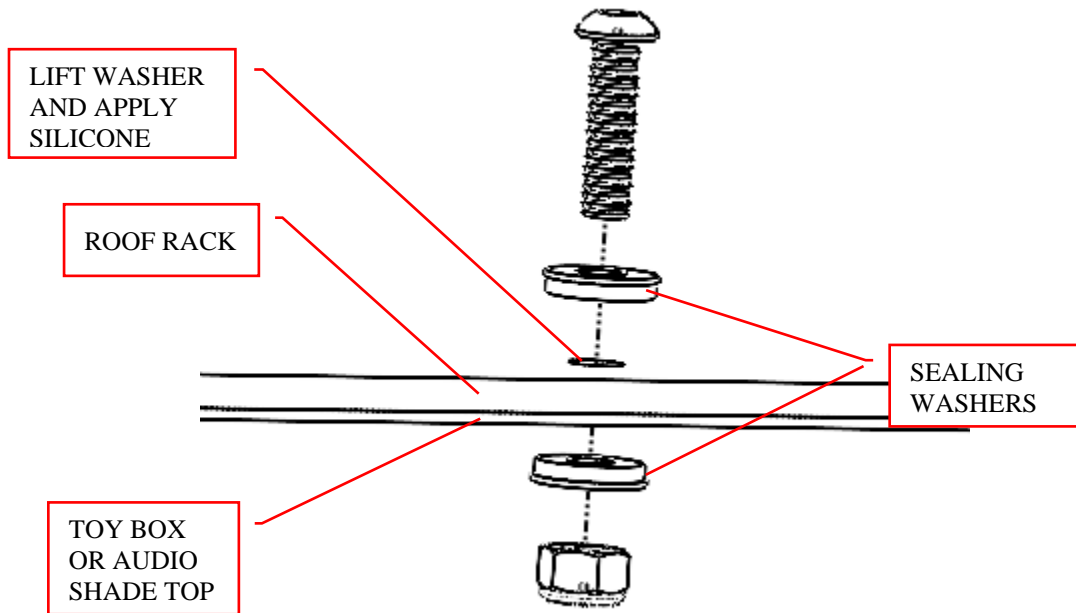
2. Observe the underside of the Toy Box or Audio shade for mounting bolt locations. For Audio Shade installation, remove the speakers closest to the corner of the roof rack so you can see inside the top. Look for a clean flat surface where a nut and washer can be easily placed. Make sure there are no items that can be damaged when drilling such as wires or speakers.
3. Mark the desired four-hole locations on the floor of the Roof Rack using masking tape and a marker. The holes should be within a few inches of each corner and should be in a safe area identified in the previous step. See Figure 4.



**Figure 4: Mark and drill four holes in a safe location.**



4. Drill each hole with a 5/16" drill bit through the roof rack and Toy Box or Audio Shade surface below. Place a bolt through each hole as you go and make sure the top stays aligned with the masking tape marks.
5. Bolt the Roof Rack to the mating surface using the supplied rubber backed sealing washers top and bottom, the 1/4-20 button head bolt, and nylock nut. In addition, lift the top washer and place a dab of black silicone in each hole before tightening the fasteners to 8 ft\*lbs. See Figure 5.



**Figure 5: Bolt the Roof Rack down.**

6. Connect the chassis harness to the roof rack light harness with the corresponding connector. If installing on a Toy Box ONLY, cut the retaining clip off of the connector. This will ensure the plug pulls apart without damaging the harness when the bed is tilted. Note: Do NOT cut this connector if installing on an Audio Shade. See Figure 6 and Figure 7.



**Figure 6: Wire harness connections.**



**Figure 7: Chassis harness to roof rack connector.**

7. Select a cage chassis tube to run the harness down. All models are different. Please reference corresponding Audio Shade instructions for wire routing recommendations and ideas by model. Connect the red ring terminal to the positive battery post and the black ring terminal to the negative battery post. See Figure 6.

8. Run the switch connector behind the dash to an empty rocker switch location. Pull the harness through the rocker switch opening, plug the rocker switch into the harness connector, then snap it into the dash.
9. Zip tie the harness securely in place. Bundle any extra wire under a panel where it is not visible. Keep the harness away from any moving parts or hot exhaust.
10. Test the lights to make sure they illuminate when the switch is on. The rocker switch back lighting should also illuminate when the switch is turned on.

Thank you for choosing Hoppe *Roof Rack* for your UTV. We hope you enjoy your new additional cargo space and lighting. We invite you, in your travels, to stop by our manufacturing plant in Troup, Texas, for a factory tour and to meet the people who designed and manufactured your *Roof Rack*. This will also give you an opportunity to check out our sister companies



and our extensive line of trike conversions, automotive, motorcycle, and power sports accessories.

We believe you will be impressed by what you witness and the people you will meet.