



**INSTALLATION INSTRUCTIONS / OWNER'S MANUAL:
AUDIO MINI
OFF-ROAD SOUND SYSTEM FOR CAN-AM MAVERICK SPORT /
MAVERICK TRAIL / COMMANDER MODELS**

www.hoppeindustries.com
22667 FM 15 Troup, TX 75789
(262) 552-2770

Thank you for choosing the Hoppe *Audio Mini* off-road sound system. We hope you enjoy the off-road sound system, and we ask that you follow these instructions very closely. Doing so will save you time and ensure that your experience with the new *Audio Mini* is a positive one.

We strongly suggest that you read the complete instructions before beginning the installation process to eliminate the possibility of performing unnecessary work.

Having a safe and clean environment and using the proper tools is essential for a successful installation.

It is critical that proper eye wear, ear protection, and protective clothing is worn throughout the top installation.

When you receive your *Audio Mini* off-road sound system, please check to ensure that all parts and hardware are included. If there are any parts missing or if you have any questions concerning the system at this time call Hoppe at (262)-552-2770 Mon-Thur. 8am-5pm CST or Friday 8am -12pm CST. Or you can email us at tech@hoppeindustries.com.

Hoppe reserves the right to change specifications, equipment, or designs at any time without notice and without incurring obligation.

TABLE OF CONTENTS

SECTION 1 – <i>Tools Required</i>	4
SECTION 2 – <i>About your Audio Mini sound system</i>	4
2.1 Applicable Year Models:	4
2.2 Audio Equipment Details:.....	4
2.3 Warranty:	5
2.4 Care and Maintenance:	5
2.5 Warnings:.....	6
SECTION 3 – <i>Pre-Installation Inspection</i>	7
SECTION 4 – <i>Installation</i>	8



SECTION 1 – Tools Required

- Socket wrench set
- Combination wrench set
- Wire cutters

In addition to the above items, you may need shop supplies such as electrical tape, wire ties, thread locking compound.


SECTION 2 – About your Audio Mini sound system

2.1 Applicable Year Models:

This *Audio Mini* off-road sound system is designed to fit the following Maverick Sport / Maverick Trail / Commander models:

- 2019-2022 MAVERICK SPORT (all versions)
- 2018-2022 MAVERICK TRAIL (all versions)
- 2021-2022 COMMANDER (all versions)
- All versions means it includes sub models such as BASE, DPS, XT, XT-P, X MR, X XC, X RC, MAX DPS, MAX XT, and MAX XT-P editions.
- This top is compatible with most front windshields and roofs.
- Accessories that mount overhead near the front of the roll cage such as rear view mirrors, wiper motors, etc. may not be compatible or may require modification. Contact Hoppe customer service for questions.

2.2 Audio Equipment Details:

Your *Audio Mini* off-road sound system is powered by  using their marine series audio equipment. This equipment is designed to function in all weather conditions with an IPX6 water resistance (powerful water jet) rating. The stereo is specifically engineered to provide excellent sound quality and volume in an open air environment so you can enjoy your music on the go.

To learn more details about your stereo system, you can access product information and manuals for the stereo equipment here:

- KMC2 receiver: <https://www.kicker.com/46KMC2>
- Speakers: <https://www.kicker.com/41KM604W>

You can feel free to crank up the volume without much worry of harming your system. However, it is wise to use a little common sense. If you hear any distortion, back off a little.

Use the equalizer settings in your KMC2 receiver to adjust the settings to your preferences.

2.3 Warranty:

Your *Audio Mini* comes equipped with a 1 year limited warranty covering the light, the stereo equipment, and the enclosure. The date of warranty coverage will be determined by the registration date of the warranty card or online warranty registration.

<http://www.motortrike.com/TrikeAccWarranty.aspx>

If the warranty is not registered with Hoppe, the warranty period will begin when the Audio Mini was shipped from Hoppe's factory.

2.4 Care and Maintenance:

Your off-road sound system does not require any maintenance other than an occasional cleaning. To clean your audio system, simply hose off or power wash from a distance. If needed, use a mild automotive soap and sponge or brush. Use common sense. Do not use a high pressure power washer up close where it could cut, scar, or force water beyond the design intent of the enclosure, light, or stereo equipment.

There is an inline fuse, close to the end of the chassis harness where it connects to the bus terminal posts. It can be accessed by pulling the cap off of the fuse holder. There is also a mini 40-amp ignition relay built into the chassis harness next to the inline fuse. See Figure 1.

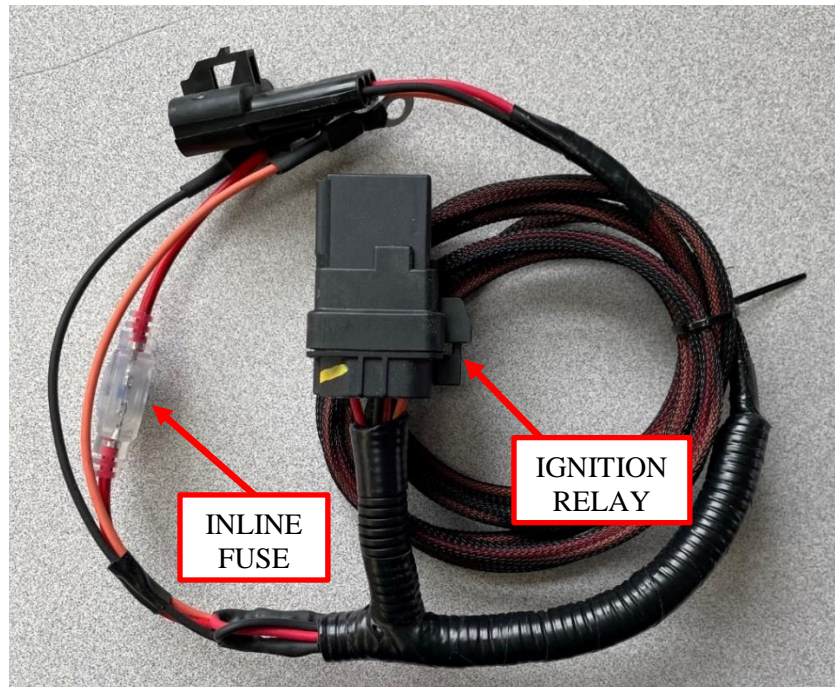


Figure 1: Fuse location.

- Fuse 1: 15 amp mini fuse for light / radio receiver power.

2.5 Warnings:

This off-road system adds up to 25 lbs. to your vehicle and is located up high on the roll cage. This increases the vehicle's center of gravity and changes the vehicle dynamics and handling characteristics. Use extra caution as you learn the driving characteristics of your vehicle with your new off-road sound system installed. High speed cornering, off camber or side hill, acceleration, and braking performance will be negatively impacted by the weight of the sound system.

Do not listen to your stereo at an uncomfortable volume for extended periods of time. Potential hearing loss may result.

SECTION 3 – Pre-Installation Inspection

Included in your off-road sound system are the following components:

- Pre-assembled *Audio Mini* off-road sound system (All speakers and electronics come preinstalled with interior wire harness.)
- Chassis wire harness
- Mounting brackets
- Hardware bag
- Zip ties and cable mounts
- Alcohol wipe

If any of the parts are missing, damaged, or you have any questions concerning them, please call Hoppe at (262)-552-2770 Mon-Thur. 8am-5pm CST.

In addition to accounting for all of the parts that you should receive with the top, you should inspect the vehicle in the following ways.

- Ensure that the vehicle is equipped with the factory roll cage, and the roll cage has not been bent out of shape in a roll over.
- Make sure the vehicle does not have any aftermarket accessories that are incompatible with the top.
- Make sure the battery is in good condition and holds a charge.
- Make sure the charging system is in good condition.

SECTION 4 – Installation

1. If you have a roof installed, remove the two front mounting bolts from the corners of the roof. The *Audio Mini* brackets will mount on the cage mounts in the following steps. See Figure 2. **Note: The factory washers and roof spacers will be reused with new hardware.** If you do not have a roof, proceed to step 2.

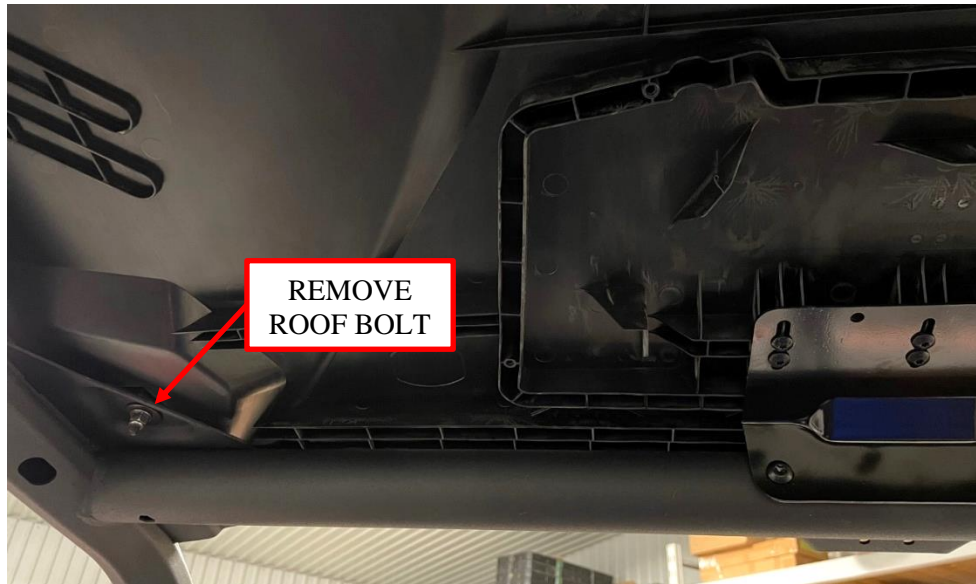


Figure 2: Remove the roof mounting bolts from corners. Driver side shown. (Passenger side similar)

2. Place the driver's side bracket on the frame as shown below. Use the supplied $\frac{1}{4}$ "-20 button-head bolt, washers, spacer, and nut to mount the bracket. Loosely install the nut to still allow for adjustment of the *Audio Mini* placement. Verify correct orientation of the mounting bracket. See Figure 3, Figure 4, and Figure 5. **Note: Driver side shown. (Passenger side similar). Note: See Figure 4 if you have a factory roof. You will reuse the factory black washers and roof spacer.**

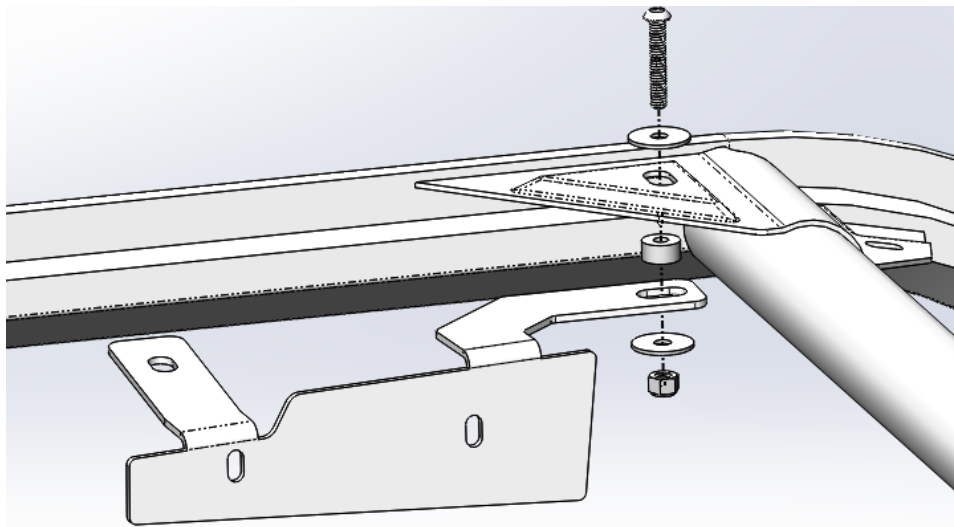


Figure 3: Audio Mini bracket mounting location. Driver side shown. (Passenger side similar)

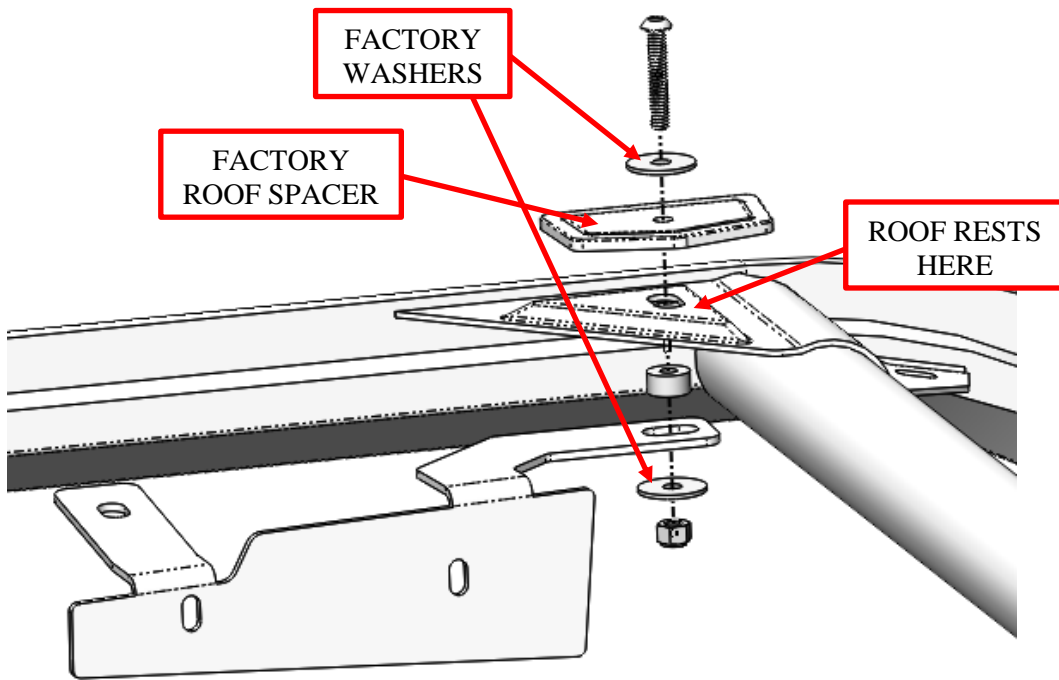


Figure 4: *Audio Mini* bracket mounting location with factory roof components. Driver side shown. (Passenger side similar)

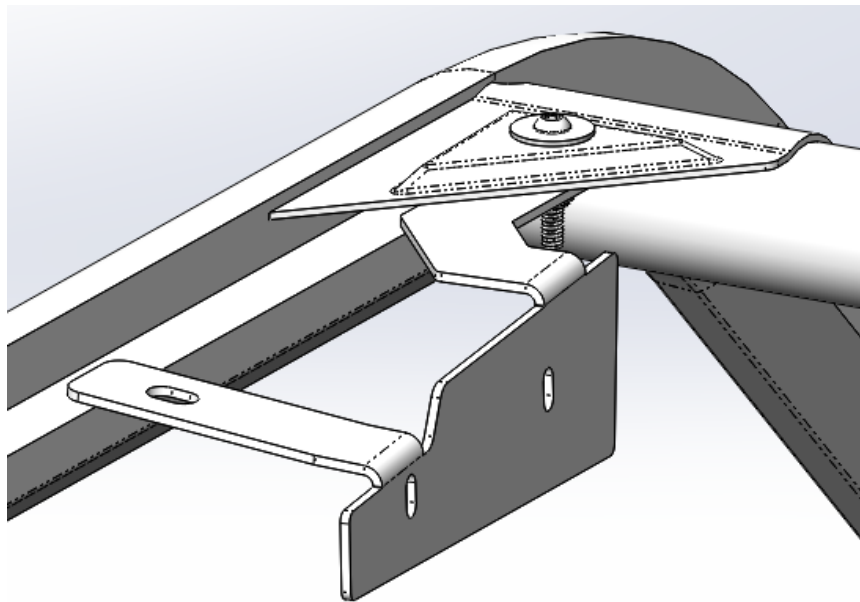


Figure 5: *Audio Mini* bracket loosely mounted on frame.

3. Use the supplied 3/8"-16 bolts, washers, and nylock nuts to secure the small clamping bracket on the frame as shown. Loosely secure the nut, waiting to fully tighten it until the *Audio Mini* is in the desired position. See Figure 6. Note: Driver side shown. (Passenger side similar)

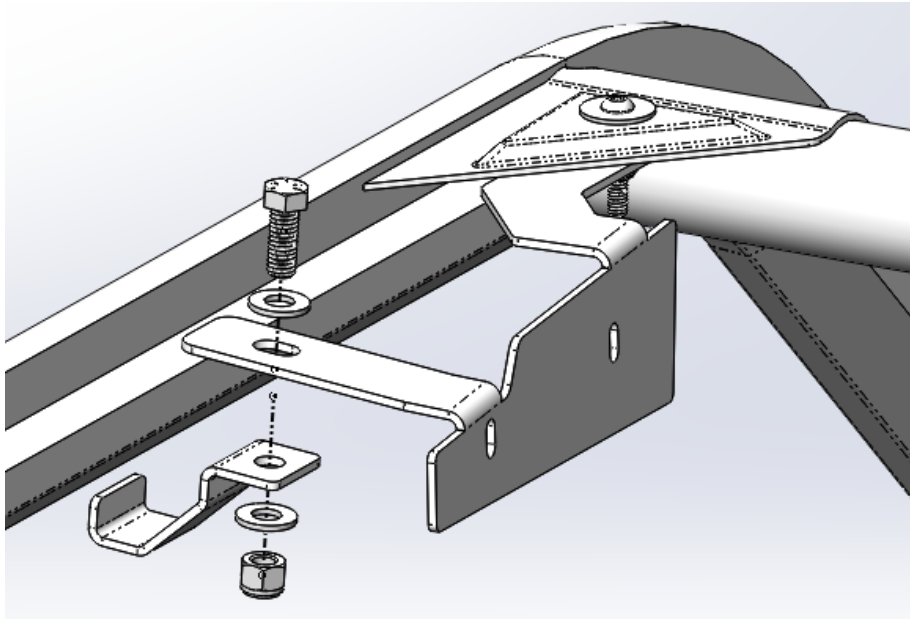


Figure 6: Mounting the clamping bracket to the frame. Driver side shown. (Passenger side similar)

4. Route the end of the chassis harness with the single *Audio Mini* mating connector from under the dash into the opening by the driver's door. See Figure 7.



Figure 7: Routing the chassis harness into the opening by the driver's door.

5. Route the harness connector through the opening towards the top hole by the driver's front frame tube so it can be pulled upwards along the frame tube. See Figure 8.



Figure 8: Route the chassis harness to the frame tube opening.

6. Route the chassis harness, using the provided zip ties and cable mounts, up the driver's front frame tube. Zip ties and mounts are at the indicated locations. Using the provided alcohol wipe, clean the cage surface thoroughly before applying the cable mounts. Loosely tighten the zip ties to leave room for final adjustment.
Note: If you have a windshield or plan to add one, we recommend applying the cable mounts to the inside surface of the frame tube as shown. If you do not have a windshield, apply the cable mounts in the windshield recess of the frame tube. See Figure 9.



Figure 9: Route the chassis harness up the driver's front frame tube.

7. Using an assistant to support the weight of the *Audio Mini*, connect the mating connector on the chassis harness to the harness exiting out of the top of the *Audio Mini* on the driver's side.
8. Hang the *Audio Mini* off-road sound system on the brackets using the supplied ¼"-20 bolts and washers (loosely tightened). **Note: The sound system weighs up to 25 lbs. Since you will have to lift and bolt each end, it is helpful to have an assistant for this step.** See Figure 10 and Figure 11.

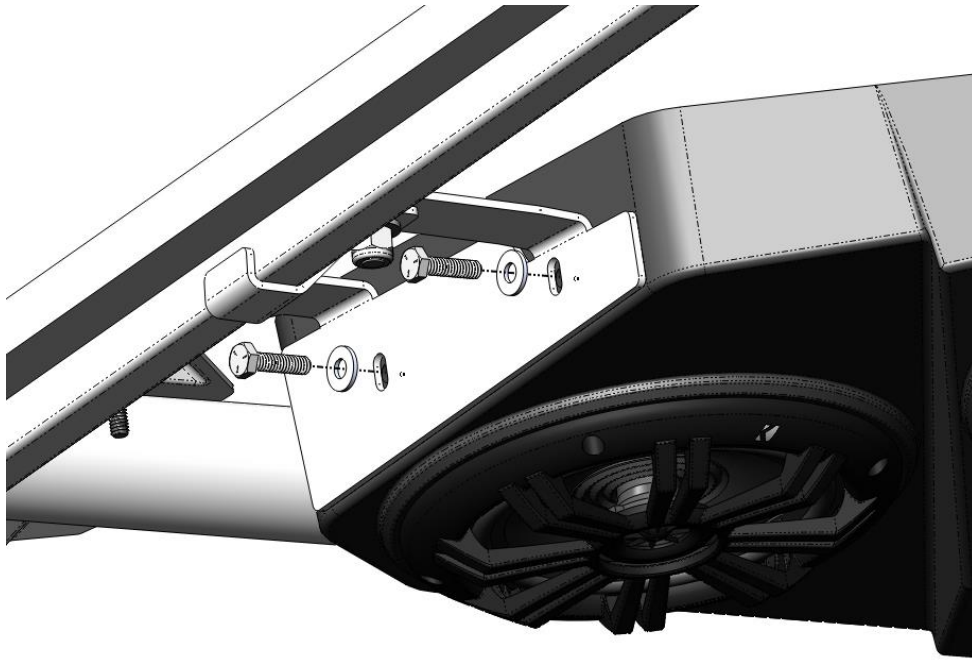


Figure 10: Install the 1/4"-20 bolts and washers to mount the *Audio Mini* to the brackets.



Figure 11: Loosely install the sound system on the mounting brackets.

9. Slots in the sides of the Audio Mini brackets allow up-down movement, while the slots in the front of the brackets allow front-back movement to achieve your desired position. Slide the clamping bracket on the frame tube with the bracket as you adjust front-to-back positioning. See Figure 12 and Figure 13. **Note: Be sure to evenly space the bracket tabs from the inner edges of the frame.** See Figure 14. Tighten the two front bracket bolts, both clamping bracket bolts, and the four mounting bracket bolts after achieving the desired viewing position.

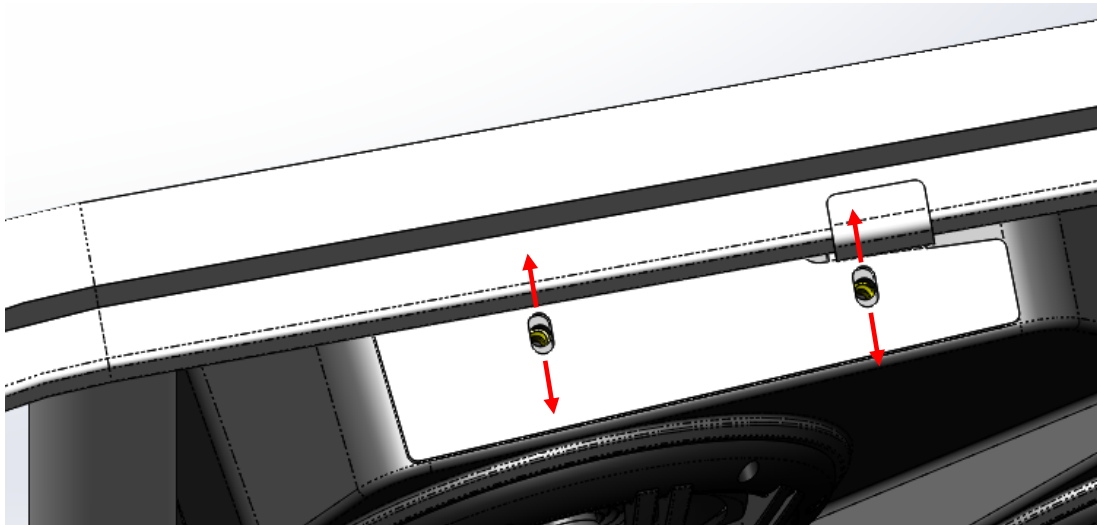


Figure 12: Adjustable up-down positioning of the *Audio Mini*.

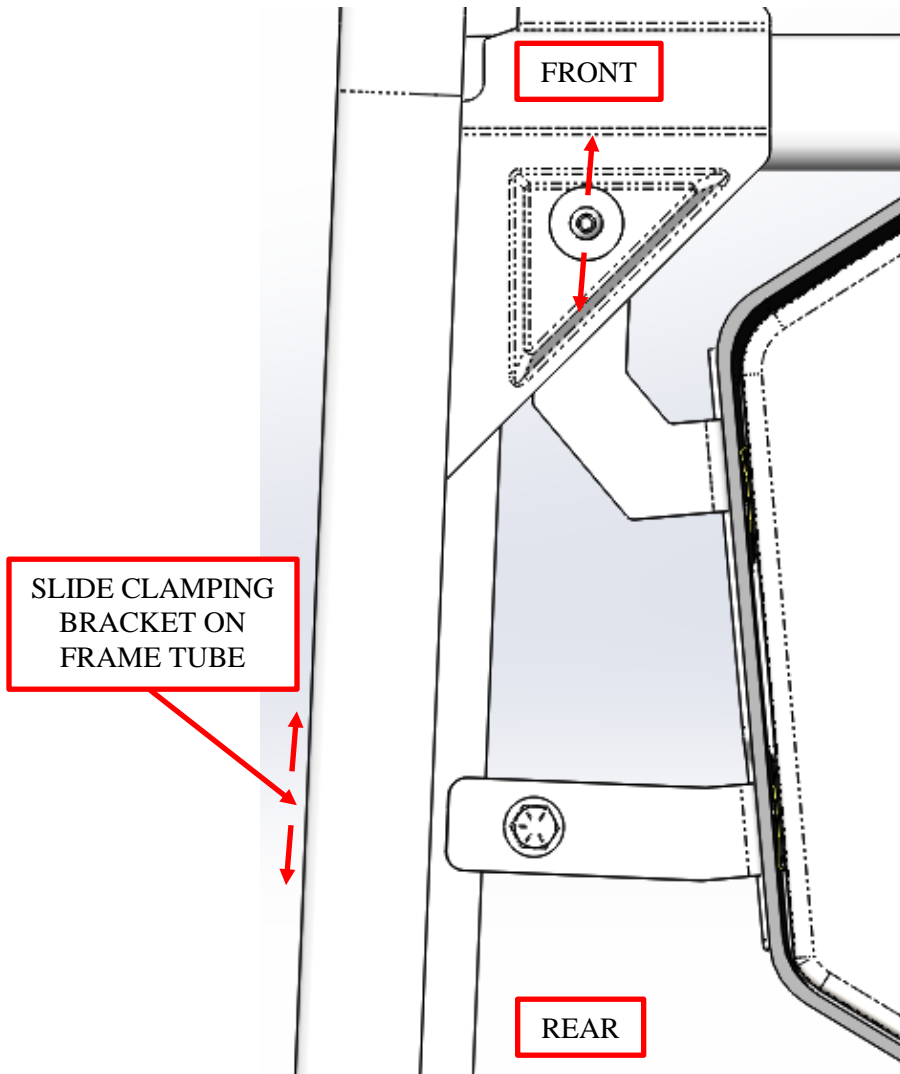


Figure 13: Adjustable front-back positioning of the *Audio Mini*.

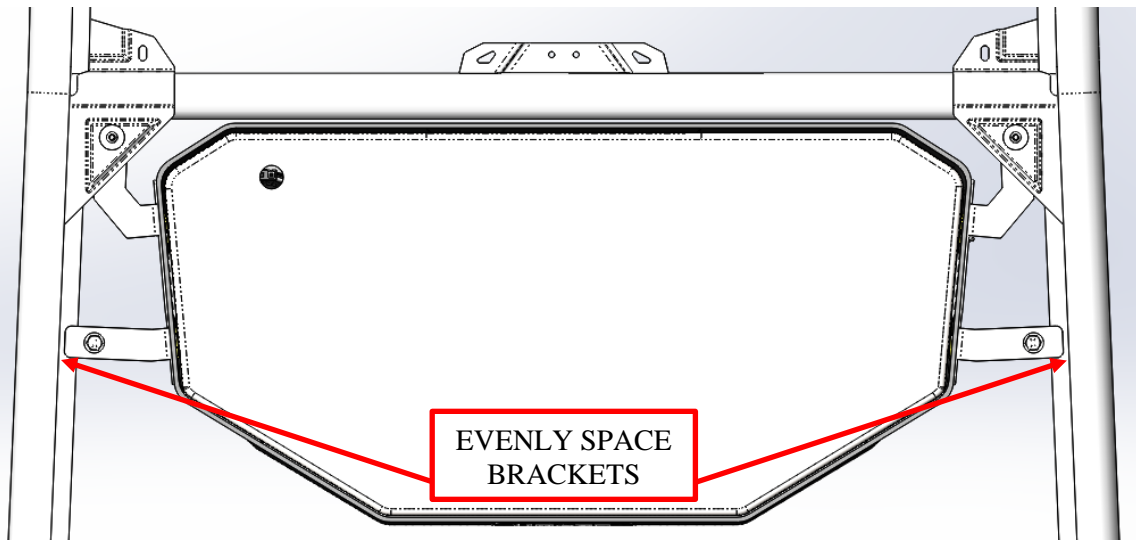


Figure 14: Evenly space the brackets from the frame.

10. Route the chassis harness up under the dash to the top side of the power steering bracket, and loosely zip tie the harness to the left of the power steering bracket. See Figure 15.

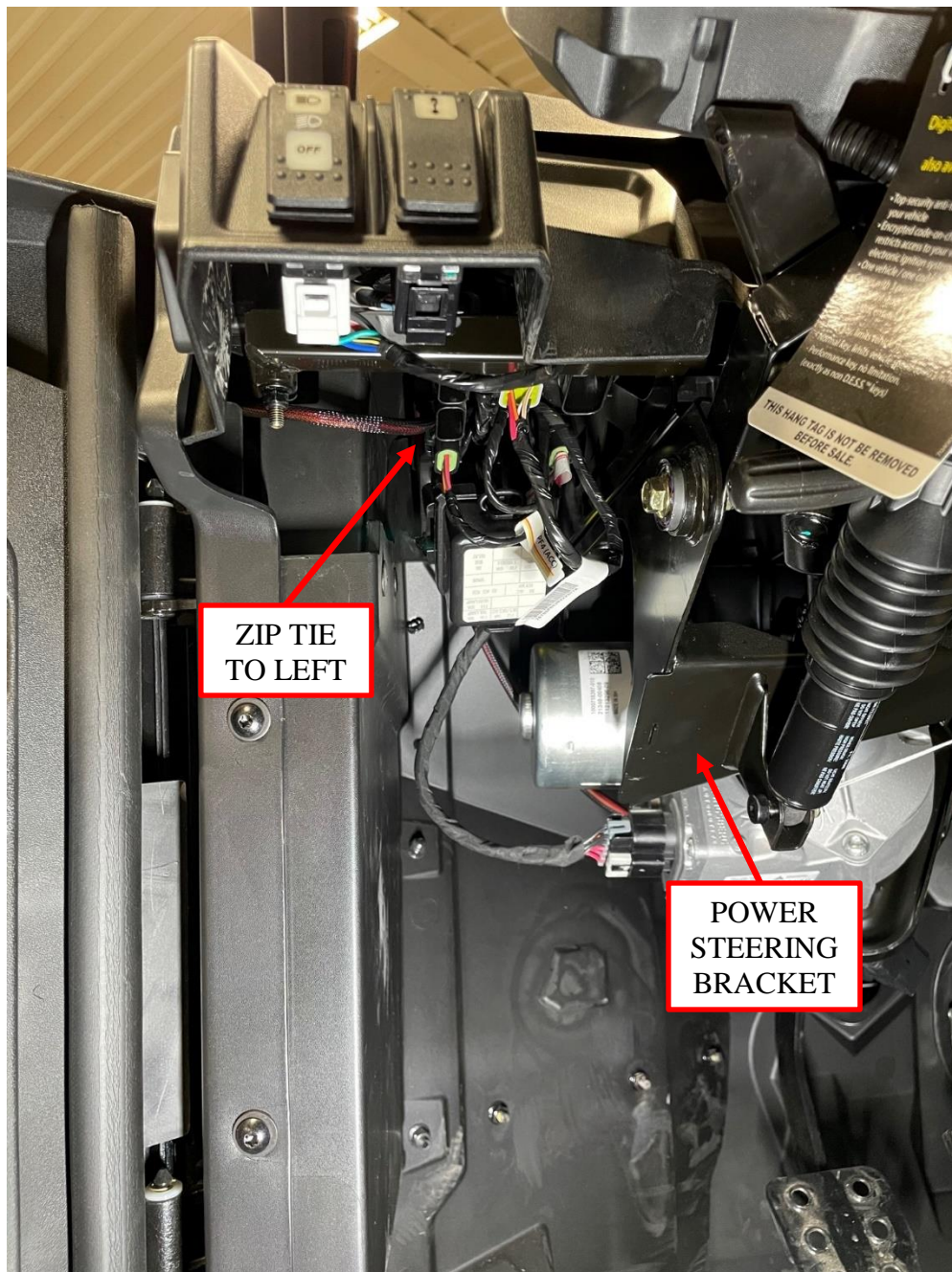


Figure 15: Route the chassis harness around the top of the power steering bracket.

11. Route the chassis harness around the top of the power steering bracket to connect the harness terminals to the terminal block. Install the chassis harness reusing the factory nuts on the terminal posts. Be sure to keep any existing wires on the proper terminals while adding the new wires on top. Connect the orange ignition wire to the accessory terminal post, the black ground wire to the black (negative) terminal post, and the red power wire to the red (positive) terminal post. Zip tie the harness relay to the power steering bracket. See Figure 16 and Figure 17.

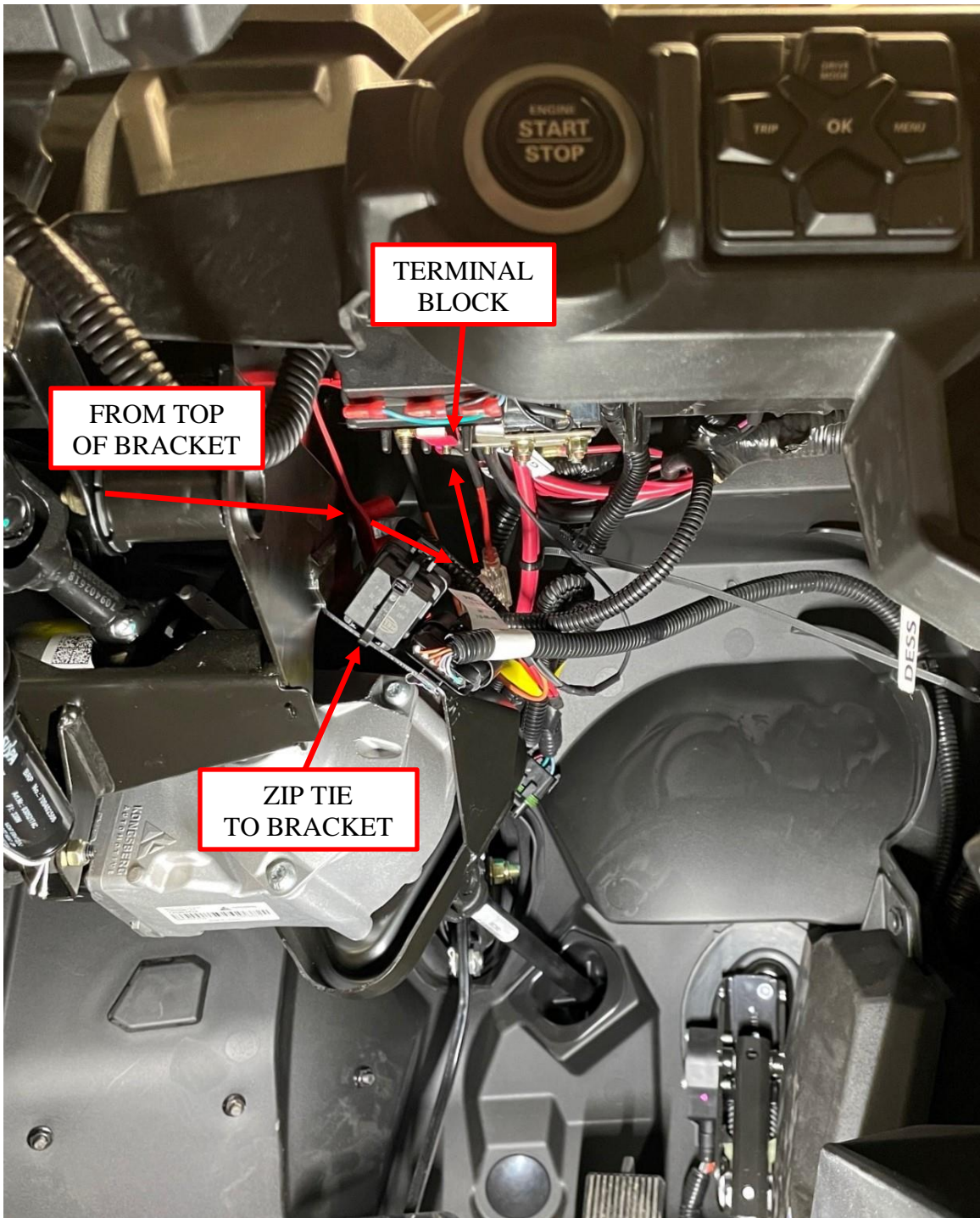


Figure 16: Route the chassis harness to connect the terminals.

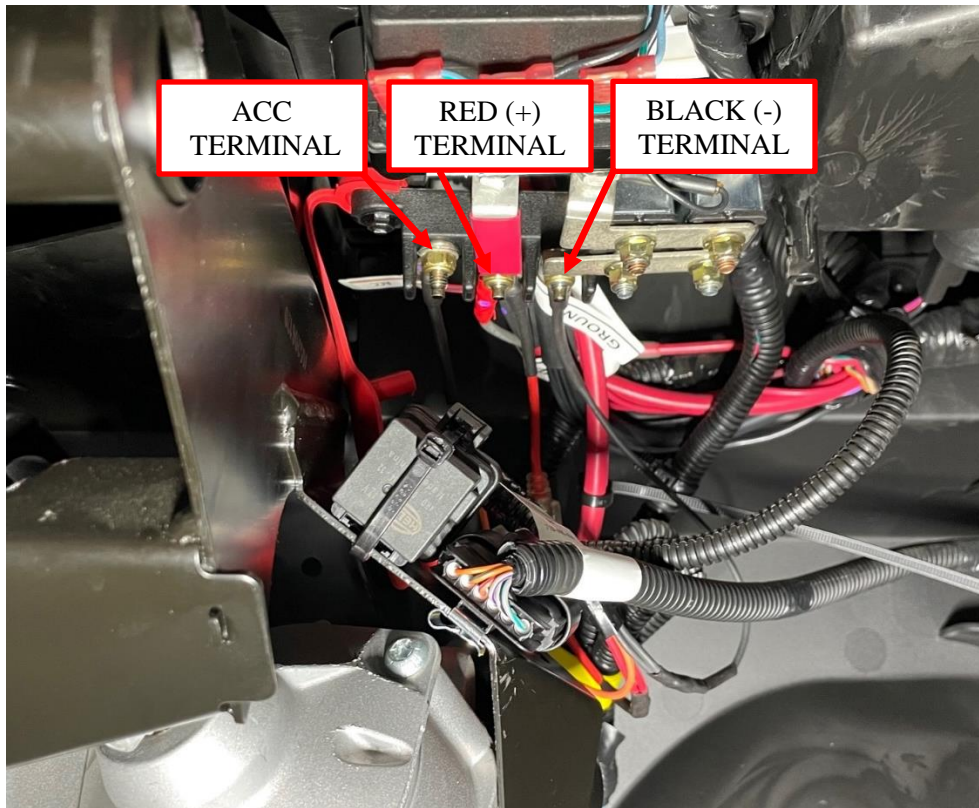


Figure 17: Connect the harness to the terminal posts.

12. Tighten all zip ties, making sure the wires are secured away from any moving parts under the dash.

13. You are now ready to enjoy the music and lighting provided by your *Audio Mini* off-road sound system. Basic operation works as follows:
 - Turn the vehicle ignition switch on to power up the stereo system. (You must press the power button for first time connections or if the power was previously turned off manually.)
 - Press the source button on the stereo receiver to select the input source from AM/FM radio or Bluetooth.
 - Press and hold the menu button to access the Device Settings menu.
 - Use the Volume knob to change the values for each setting, and press it to confirm the setting.
 - Press and hold the Volume knob to access the Audio Settings menu.
 - Use the Volume knob to change the values for each setting, and press it to confirm the setting.
 - The dome light can be used with or without the vehicle's ignition switch on. Press the on/off switch to activate the light. **Warning: Extended use of the dome light or stereo without the vehicle's charging system functioning will deplete the battery and the engine may not start.**

To learn about the more advanced features and operation of your stereo, visit the Kicker website links found in SECTION 2 – About your Audio Mini sound system of this document.

Thank you for choosing the Hoppe *Audio Mini* off-road sound system for your Can-Am Maverick Sport UTV. We hope you enjoy your new sound system and lighting. We invite you, in your travels, to stop by our manufacturing plant in Troup, Texas, for a factory tour and to meet the people who designed and manufactured your *Audio Mini* off-road sound system. This will also give you an opportunity to check out our sister companies



and our extensive line of trike conversions, automotive, motorcycle, and power sports accessories.

We believe you will be impressed by what you witness and the people you will meet.