



**INSTALLATION INSTRUCTIONS / OWNER'S MANUAL:  
AUDIO MINI  
OFF-ROAD SOUND SYSTEM FOR KAWASAKI TERYX KRX 1000 MODELS**

*www.hoppeindustries.com*  
22667 FM 15 Troup, TX 75789  
(262) 552-2770

Thank you for choosing the Hoppe *Audio Mini* off-road sound system. We hope you enjoy the off-road sound system, and we ask that you follow these instructions very closely. Doing so will save you time and ensure that your experience with the new *Audio Mini* is a positive one.

**We strongly suggest that you read the complete instructions before beginning the installation process to eliminate the possibility of performing unnecessary work.**

Having a safe and clean environment and using the proper tools is essential for a successful installation.

**It is critical that proper eye wear, ear protection, and protective clothing is worn throughout the installation.**

When you receive your *Audio Mini* off-road sound system, please check to ensure that all parts and hardware are included. If there are any parts missing or if you have any questions concerning the system at this time call Hoppe at (262)-552-2770 Mon-Thur. 8am-5pm CST, or you can email us at [tech@hoppeindustries.com](mailto:tech@hoppeindustries.com).

Hoppe reserves the right to change specifications, equipment, or designs at any time without notice and without incurring obligation.

# **TABLE OF CONTENTS**

SECTION 1 – <i>Tools Required</i> .....	4
SECTION 2 – <i>About your Audio Mini sound system</i> .....	4
2.1 Applicable Year Models: .....	4
2.2 Audio Equipment Details:.....	4
2.3 Warranty: .....	5
2.4 Care and Maintenance: .....	5
2.5 Warnings:.....	6
SECTION 3 – <i>Pre-Installation Inspection</i> .....	7
SECTION 4 – <i>Installation</i> .....	8

## **SECTION 1 – Tools Required**

- Socket wrench set
- Combination wrench set
- Wire cutters

In addition to the above items, you may need shop supplies such as electrical tape, wire ties, thread locking compound, etc.


## **SECTION 2 – About your Audio Mini sound system**

### **2.1 Applicable Year Models:**

This *Audio Mini* off-road sound system is designed to fit the following Kawasaki Teryx KRX 1000 models:

- 2021-2022 Teryx KRX 1000 (all versions)
- All versions means it includes sub models such as eS, Trail, and Special Editions.
- This system is compatible with most front full windshields and roofs.
- Accessories that mount overhead near the front of the roll cage such as rear view mirrors, wiper motors, etc. may not be compatible or may require modification. Contact Hoppe customer service for questions.

### **2.2 Audio Equipment Details:**

Your *Audio Mini* off-road sound system is powered by  using their marine series audio equipment. This equipment is designed to function in all weather conditions with an IPX6 water resistance (powerful water jet) rating. The stereo is specifically engineered to provide excellent sound quality and volume in an open air environment so you can enjoy your music on the go.

To learn more details about your stereo system, you can access product information and manuals for the stereo equipment here:

- KMC2 receiver: <https://www.kicker.com/46KMC2>
- Speakers: <https://www.kicker.com/41KM604W>

You can feel free to crank up the volume without much worry of harming your system. However, it is wise to use a little common sense. If you hear any distortion, back off a little.

Use the equalizer settings in your KMC2 receiver to adjust the settings to your preferences.

## 2.3 Warranty:

Your *Audio Mini* comes equipped with a 1 year limited warranty covering the light, the stereo equipment, and the fiberglass enclosure. The date of warranty coverage will be determined by the registration date of the warranty card or online warranty registration.

<http://www.motortrike.com/TrikeAccWarranty.aspx>

If the warranty is not registered with Hoppe, the warranty period will begin when the Audio Mini was shipped from Hoppe's factory.

## 2.4 Care and Maintenance:

Your off-road sound system does not require any maintenance other than an occasional cleaning. To clean your audio system, simply hose off or power wash from a distance. If needed, use a mild automotive soap and sponge or brush. Use common sense. Do not use a high pressure power washer up close where it could cut, scar, or force water beyond the design intent of the enclosure, light, or stereo equipment.

There is an inline fuse, close to the end of the chassis harness where it connects to the bus bar terminal posts. It can be accessed by pulling the cap off of the fuse holder. There is also a mini 40 amp ignition relay built into the chassis harness next to the inline fuse. See Figure 1.

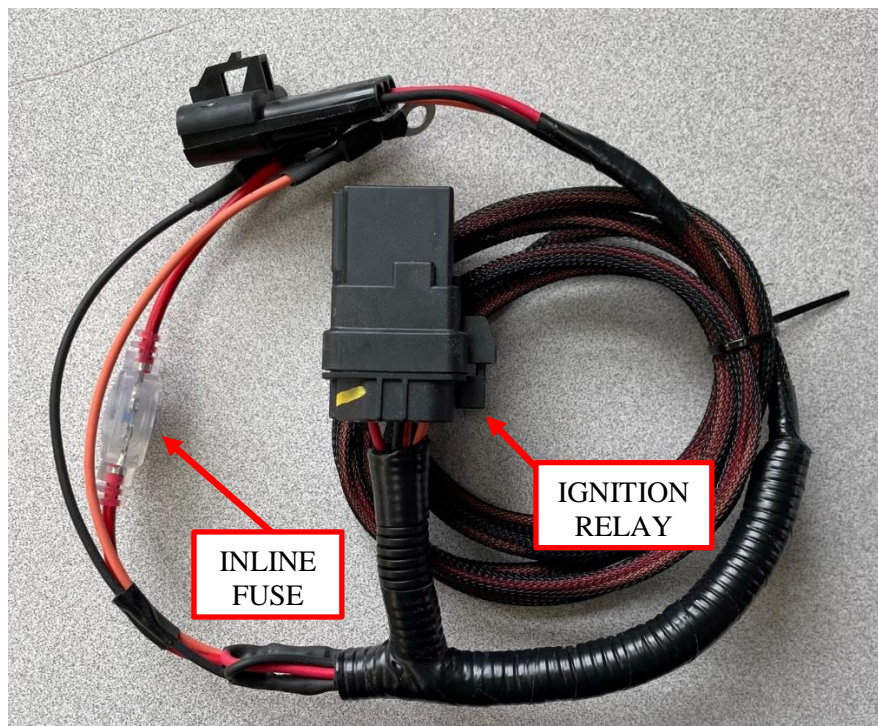


Figure 1: Fuse location.

- Fuse 1: 15 amp mini fuse for light / radio receiver power.

## **2.5 Warnings:**

This off-road system adds up to 25 lbs. to your vehicle and is located up high on the roll cage. This increases the vehicle's center of gravity and changes the vehicle dynamics and handling characteristics. Use extra caution as you learn the driving characteristics of your vehicle with your new off-road sound system installed. High speed cornering, off camber or side hill, acceleration, and braking performance will be negatively impacted by the weight of the sound system.

Do not listen to your stereo at an uncomfortable volume for extended periods of time. Potential hearing loss may result.

## **SECTION 3 – Pre-Installation Inspection**

Included in your off-road sound system are the following components:

- Pre-assembled *Audio Mini* off-road sound system (All speakers and electronics come preinstalled with interior wire harness.)
- Chassis wire harness
- Mounting brackets
- Hardware bag
- Zip ties

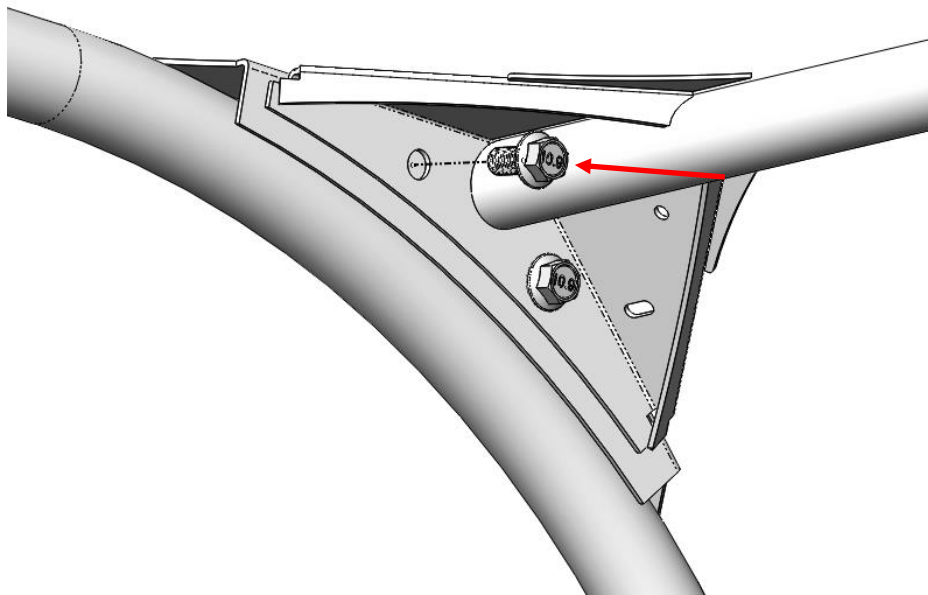
If any of the parts are missing, damaged, or you have any questions concerning them, please call Hoppe at (262)-552-2770 Mon-Thur. 8am-5pm CST.

In addition to accounting for all of the parts that you should receive with the top, you should inspect the vehicle in the following ways.

- Ensure that the vehicle is equipped with the factory roll cage, and the roll cage has not been bent out of shape in a roll over.
- Make sure the vehicle does not have any aftermarket accessories that are incompatible with the top.
- Make sure the battery is in good condition and holds a charge.
- Make sure the charging system is in good condition.

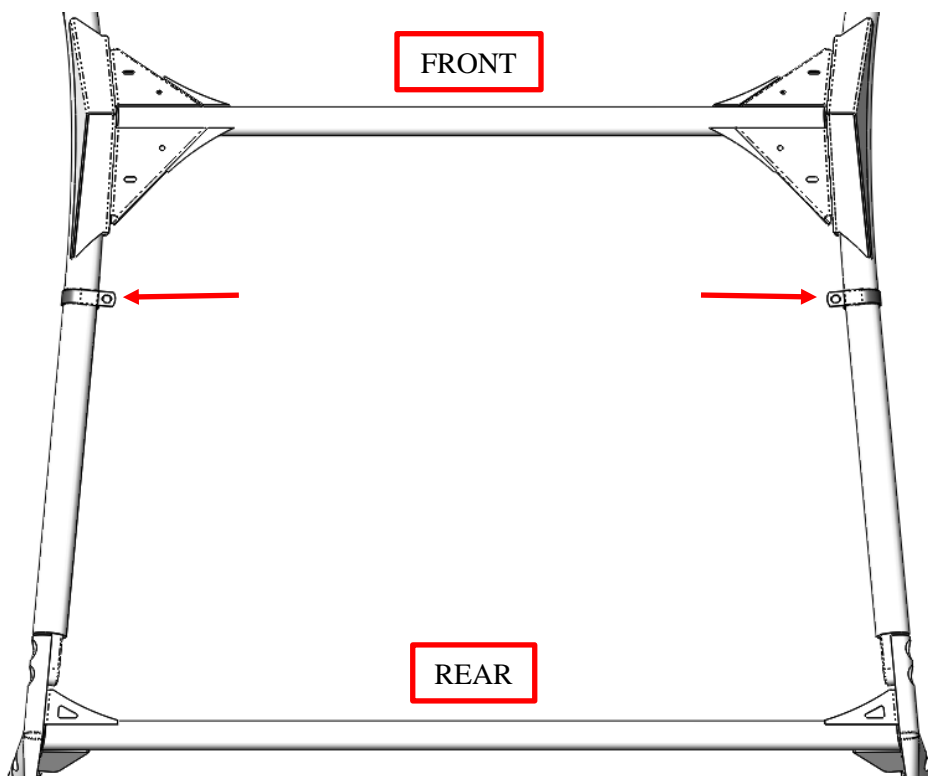
## **SECTION 4 – Installation**

1. Remove the factory bolt from the driver's side of the front cross member as indicated in Figure 2. The bolt will be reused.



**Figure 2: Remove the factory cross member bolt.**

2. Place the provided loop clamps in the approximate mounting locations on the outside roll bars. The *Audio Mini* brackets will rest on the loop clamps and be secured in the following steps. See Figure 3.



**Figure 3: Approximate locations of the loop clamps.**



3. Place the driver's side bracket on the inside of the cross member. Use the factory bolt, and loosely tighten it until the bracket is fully secured in the following steps. Verify correct orientation of the mounting bracket. See Figure 4. **Note: Driver side bracket shown. (Passenger side similar)**

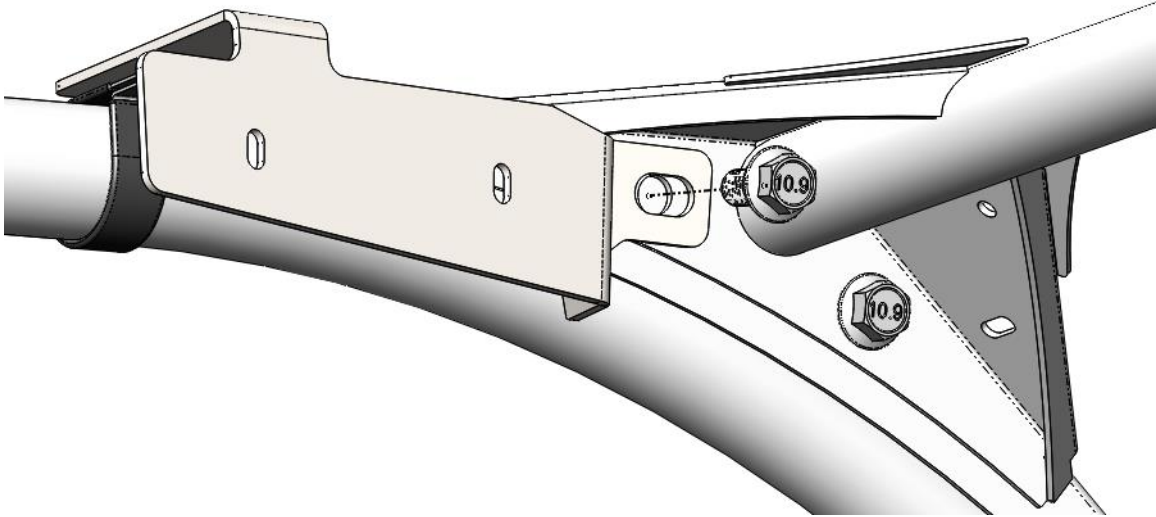


Figure 4: Mounting location of the *Audio Mini* bracket.

4. Use the supplied  $3/8''$ -16 x 1'' bolts, washers, and nylock nuts to secure the loop clamp to the mounting bracket. Snugly tighten both the loop clamp bolt and the front cross member bolt, waiting to fully tighten them until the *Audio Mini* is in the final desired position. See Figure 5.

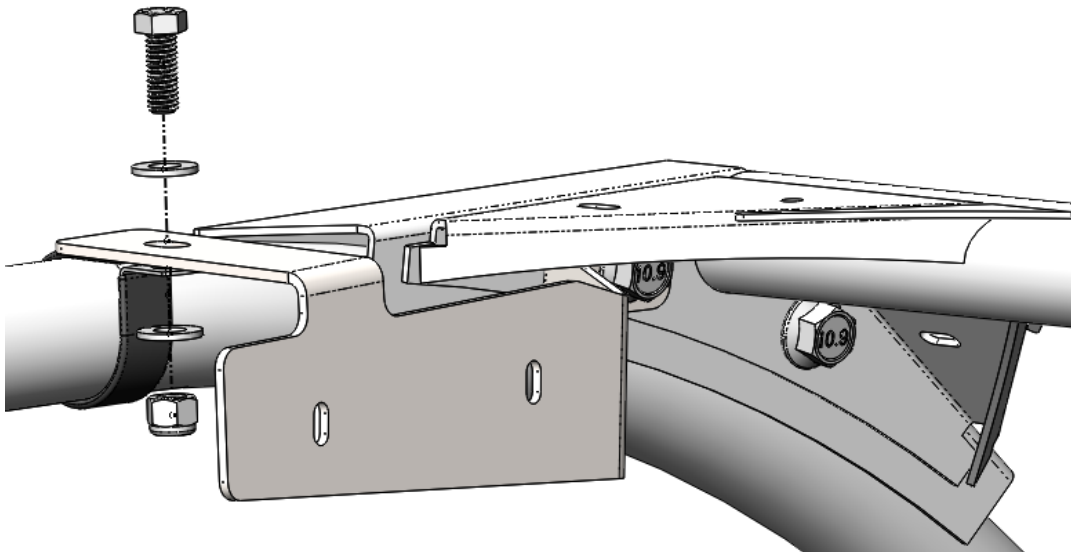
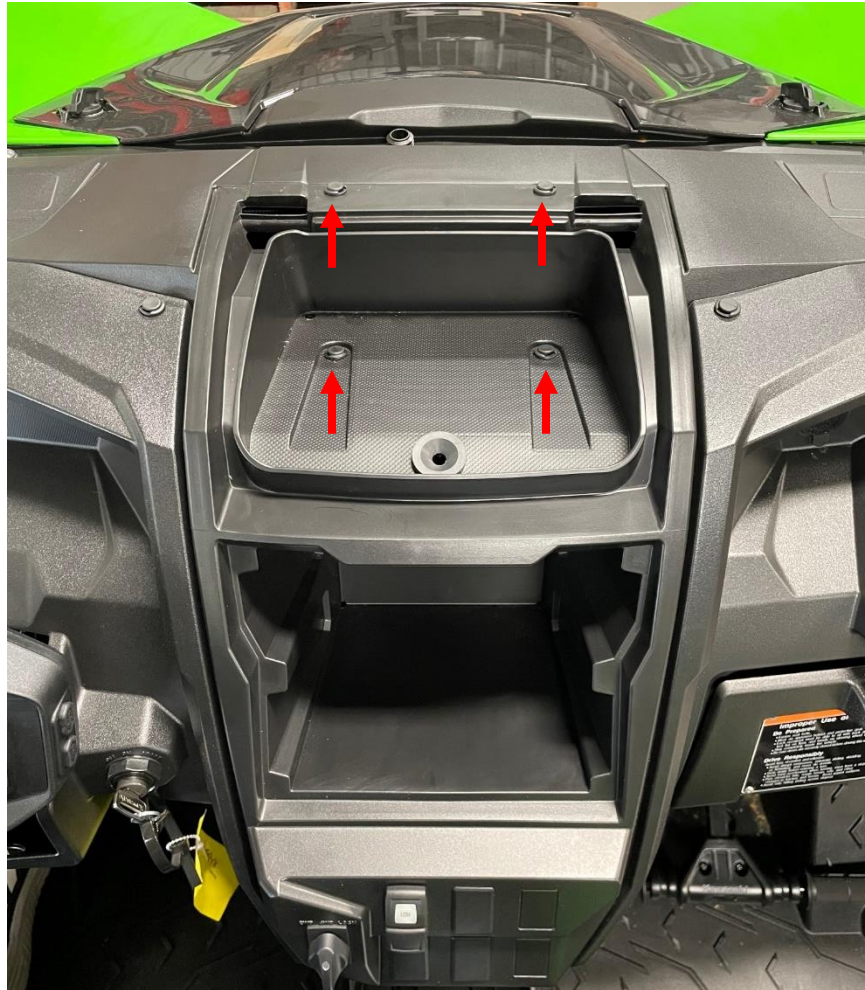


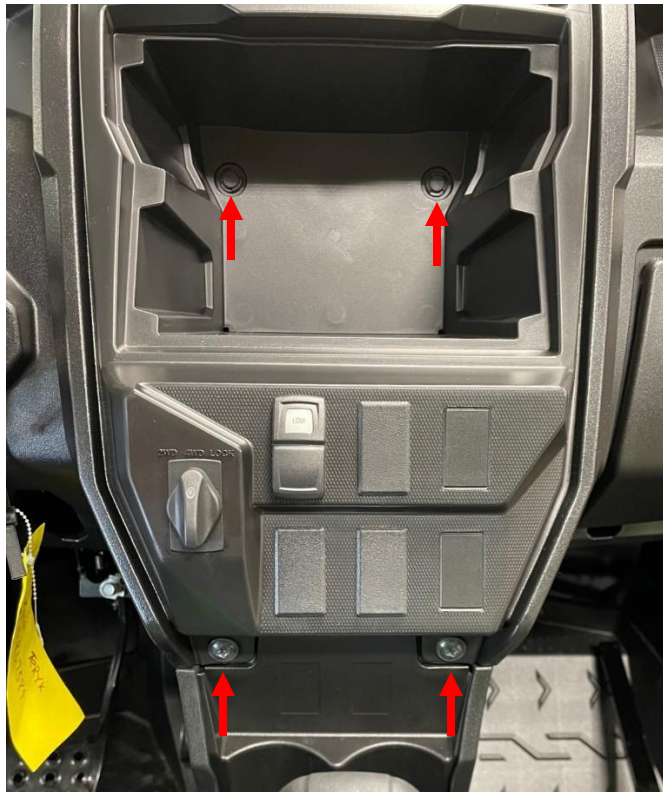
Figure 5: Hardware for mounting the loop clamps to the brackets.

5. Repeat Steps 1, 3, and 4 for the passenger side bracket.

6. Remove the center dash by popping out the six plastic rivets and removing the two screws shown in Figure 6 and Figure 7. The plastic rivets are released by first prying the center head up then pulling the entire rivet out.

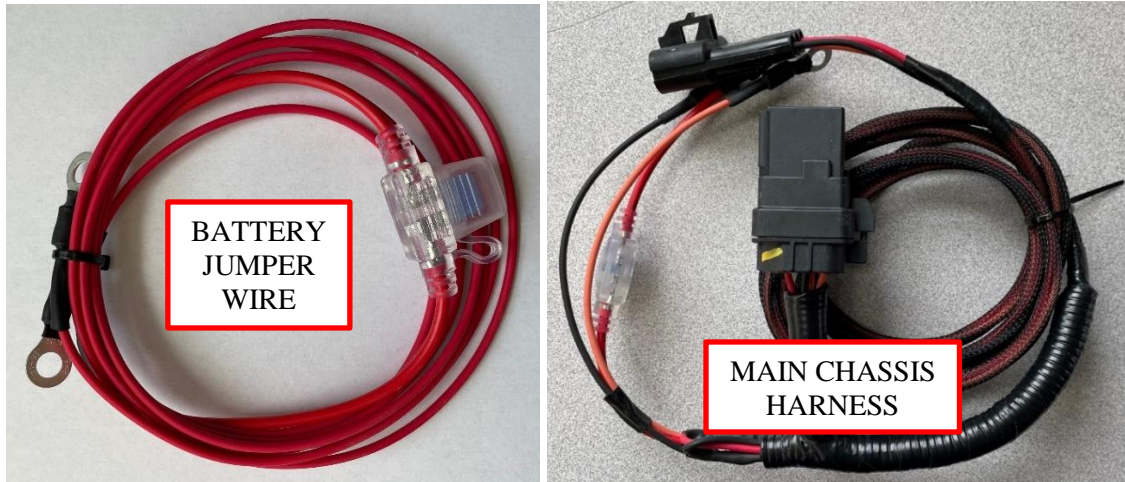


**Figure 6: Remove the plastic rivets in the center dash.**



**Figure 7: Remove the plastic rivets and screws in the center dash.**

7. Remove the corrugated tube cap at the front passenger side fire wall. Route the front end of the battery jumper wire, shown in Figure 8, into the opening toward the dash where the radiator tube goes through the fire wall and the other end into the corrugated tube. See Figure 9.



**Figure 8: Battery jump wire and main chassis harness.**

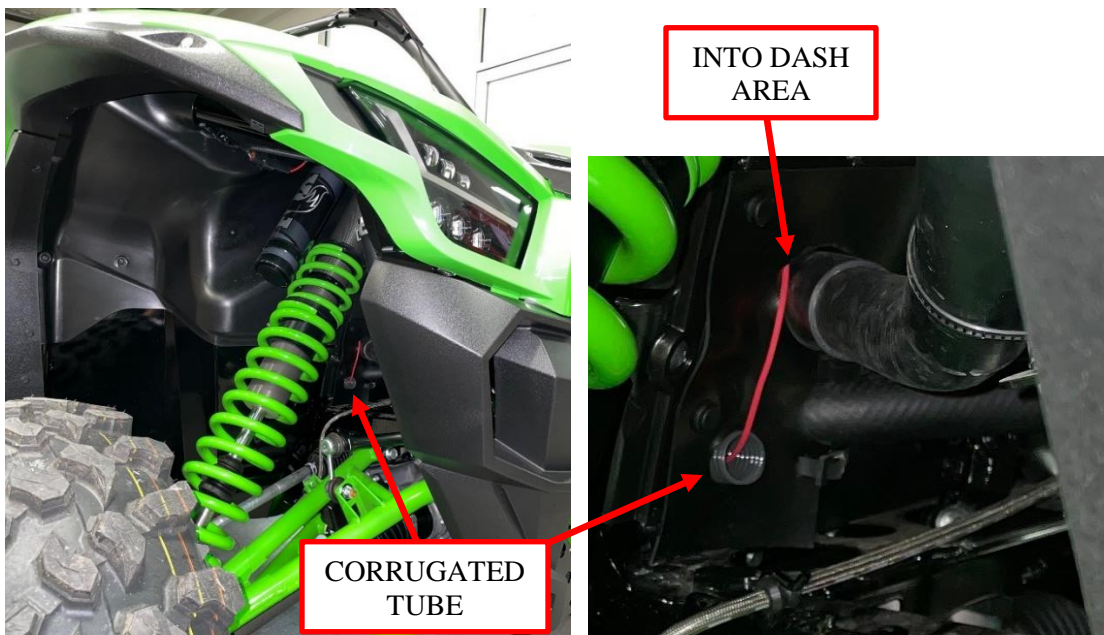


Figure 9: Wire goes into corrugated tube and into dash area.

8. Remove the corrugated tube cap at the battery under the driver's seat. Route the battery jumper wire from the front of the vehicle to the battery, through the corrugated tube. See Figure 10. If winch cables are already run through the tube, you may need to use a fish tape or similar tool to pull the ring terminal through the corrugated tube. Alternatively, you can remove the winch wires, tape the winch wires and battery jumper wire into a bundle, and then run the bundle back through the corrugated tube to the battery for reinstallation.

**Note: DO NOT CONNECT TO THE BATTERY AT THIS TIME. This end will be connected at the end of the installation.**

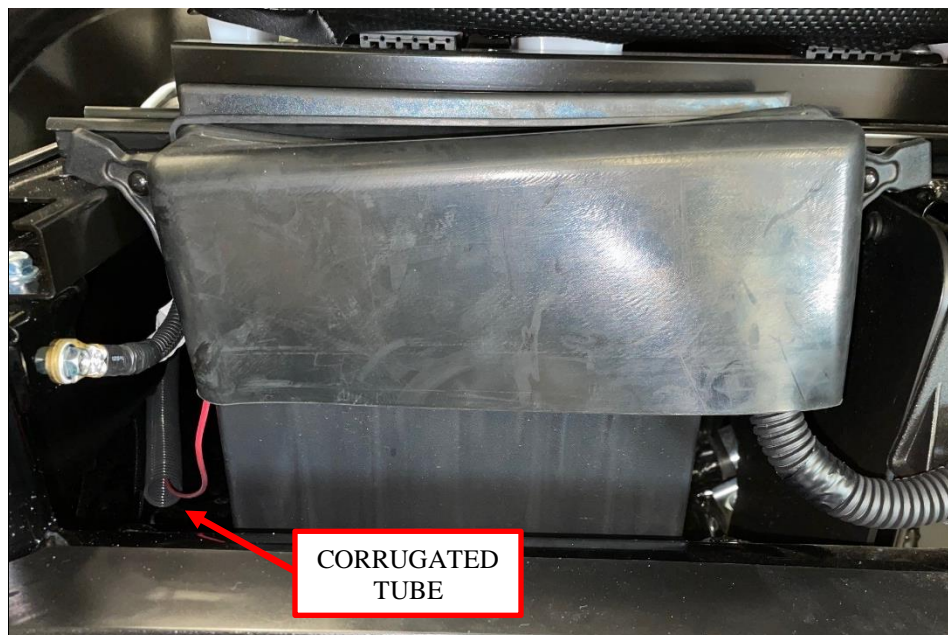


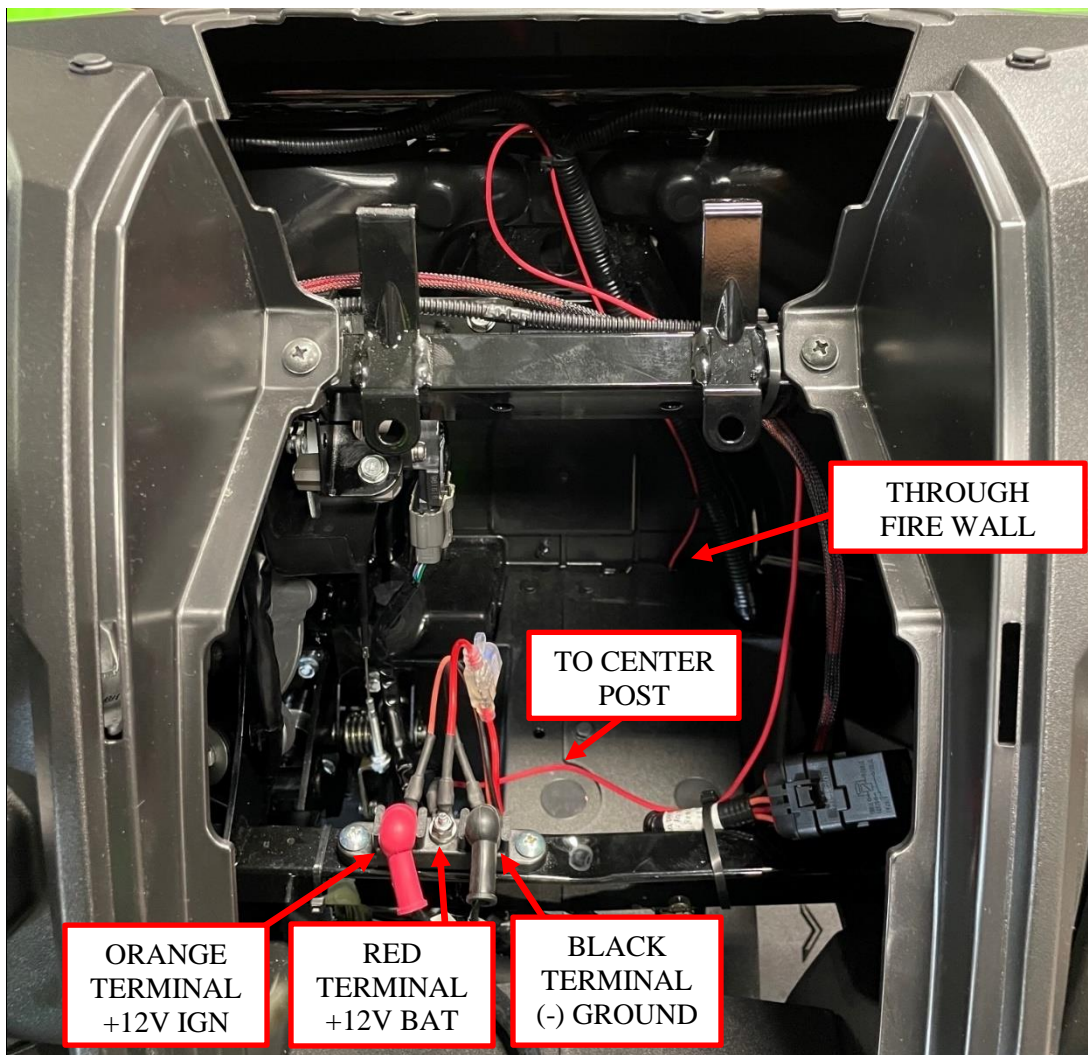
Figure 10: Wire goes through corrugated tube into battery area.

9. Route the battery jumper wire from the hole in the fire wall to the center post on the bus bar.

**Note: Make sure nothing is connected to the center post on the bus bar. It needs to be constant 12V battery power only.**

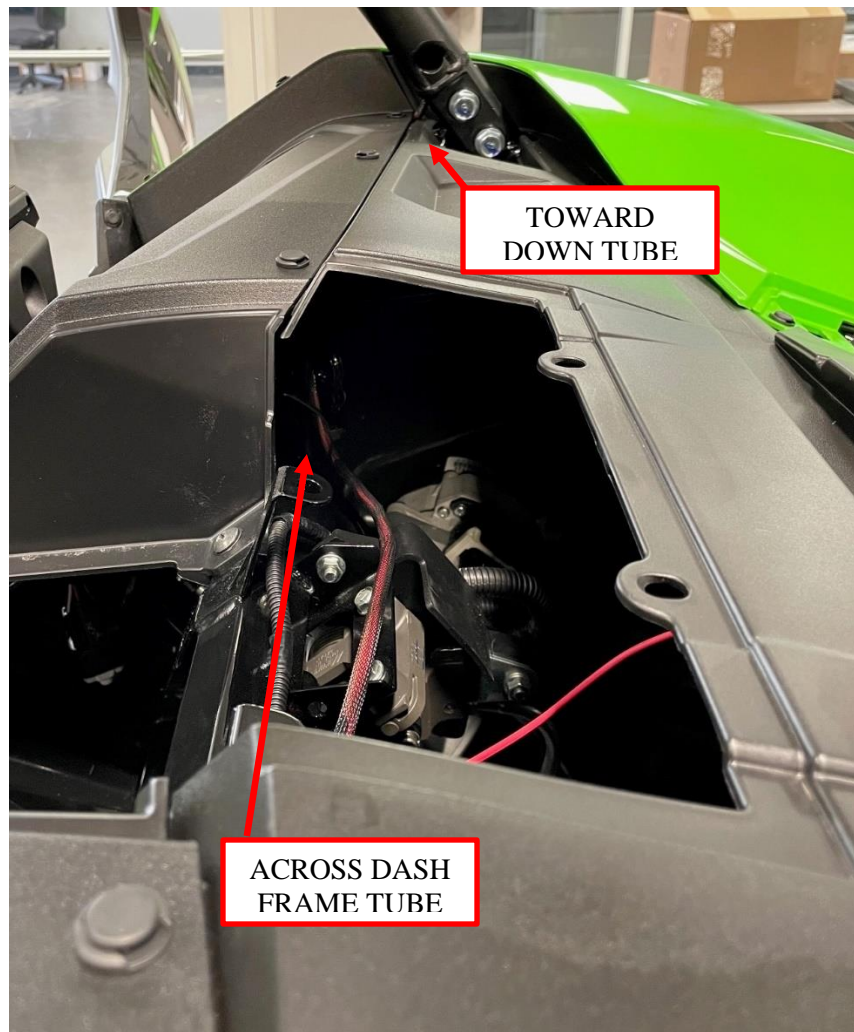
**Do not connect the ring terminal to the center post if the battery side has been connected, as this could cause a short in the cable. Wait to connect the battery side until installation is complete.**

Route the wire along the factory loom and frame tubes, using zip ties to secure it in place. Install the chassis harness on the terminal posts with the included 10-24 nyloc nuts. Connect the orange ignition wire to the driver side post (red boot), the red wire to the center post with the battery jumper, and the black ground wire to the passenger side post (black boot). See Figure 11.



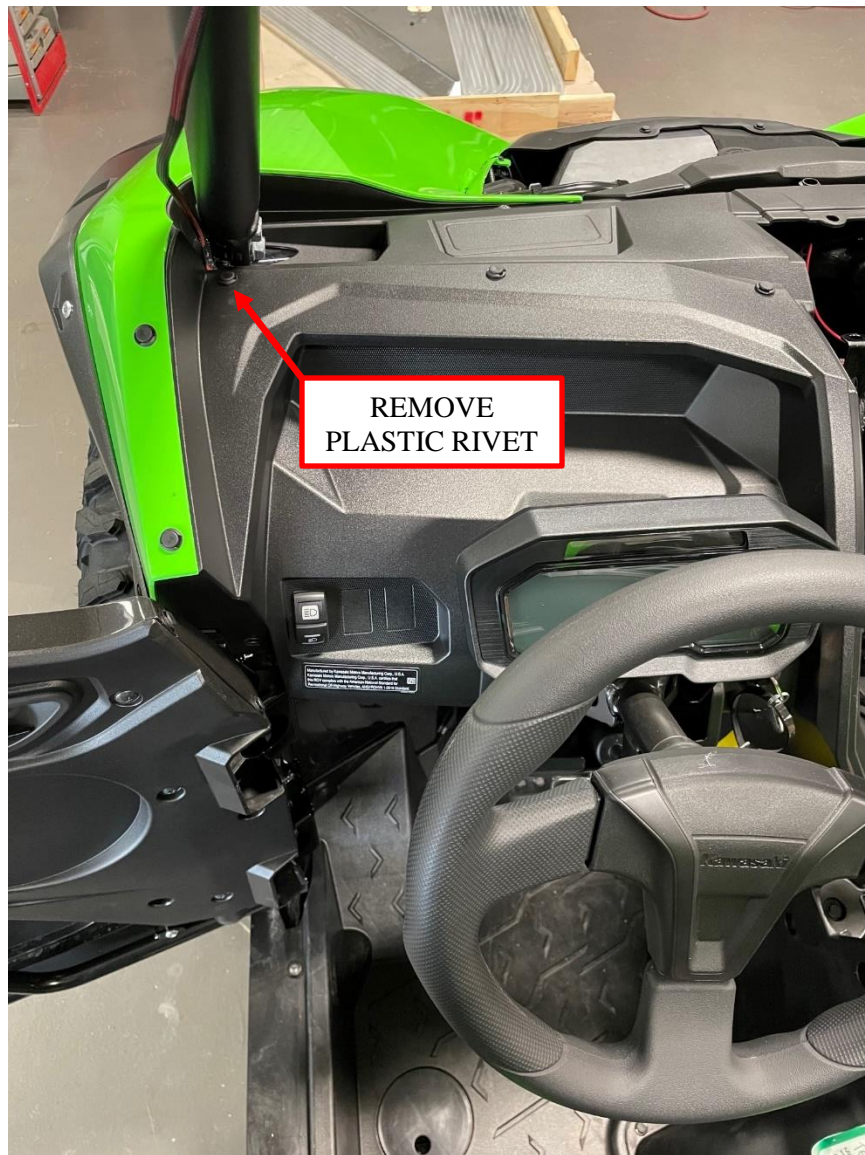
**Figure 11: Connect battery jumper and chassis harness to bus bar terminals.**

10. Route the chassis harness behind the instrument cluster and across the upper dash frame tube toward the driver's side front down tube as shown in Figure 12. Loosely zip tie the harness to the dash frame tube until the *Audio Mini* is secured in its desired position.



**Figure 12: Route chassis harness toward driver's side down tube.**

11. Remove the plastic rivet by the driver's front down tube, and route the end of the chassis harness up through the panels as shown in Figure 13.



**Figure 13: Chassis harness routing under panels up to the down tube.**

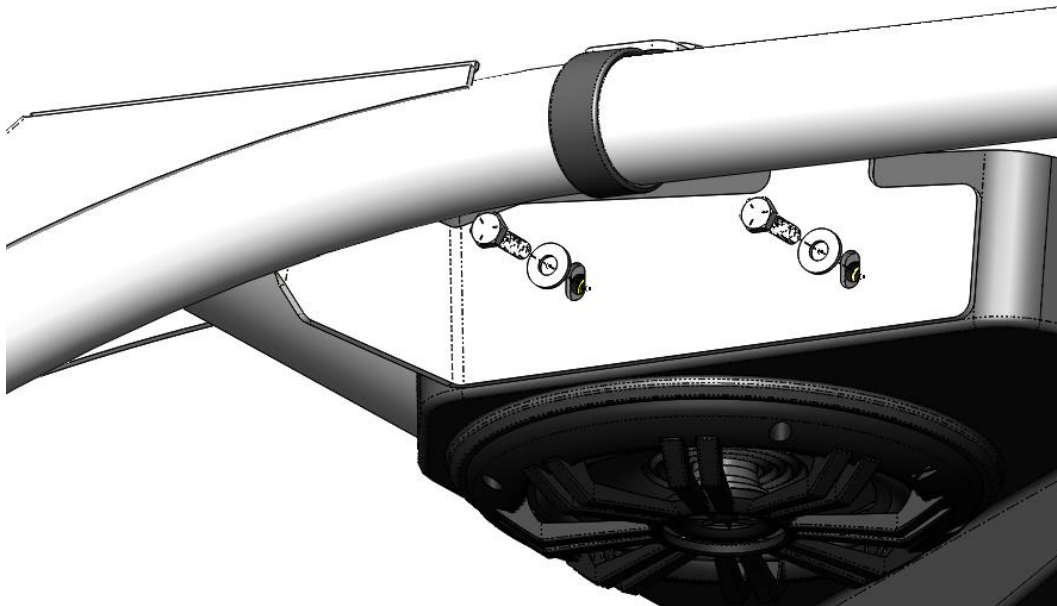
12. Route the harness up the frame tube as shown in Figure 14. Loosely zip tie the harness at the indicated locations, leaving room for adjustment until the final position is achieved.



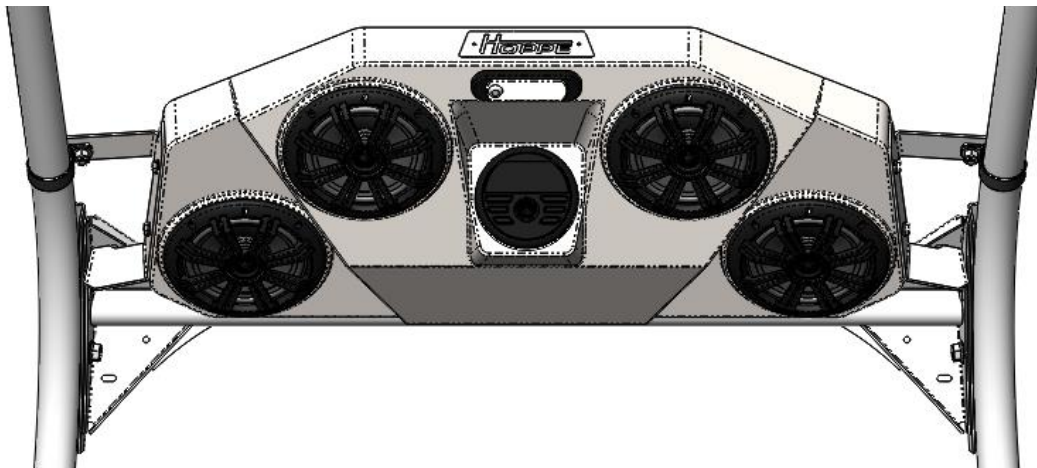
**Figure 14: Chassis harness routing up driver's front down tube.**

13. Using an assistant to support the weight of the *Audio Mini*, connect the mating connector on the chassis harness to the harness exiting out of the top of the *Audio Mini* on the driver's side.
14. Hang the *Audio Mini* off-road sound system on the brackets using the supplied  $\frac{1}{4}$ "-20 x 1" bolts and washers (loosely tightened). See Figure 15 and Figure 16.





**Figure 15: Install the 1/4"-20 bolts and washers to mount the Audio Mini to the brackets.**



**Figure 16: Loosely install the sound system on the mounting brackets.**

15. Slots in the sides of the *Audio Mini* brackets allow up-down movement, while the slots in the front of the brackets allow front-back movement to achieve your desired position. Slide the loop clamp on the tube with the bracket as you adjust front-to-back positioning. See Figure 17 and Figure 18. Tighten the two front cross member bolts, both loop clamp bolts, and the four mounting bracket bolts after achieving the desired position.

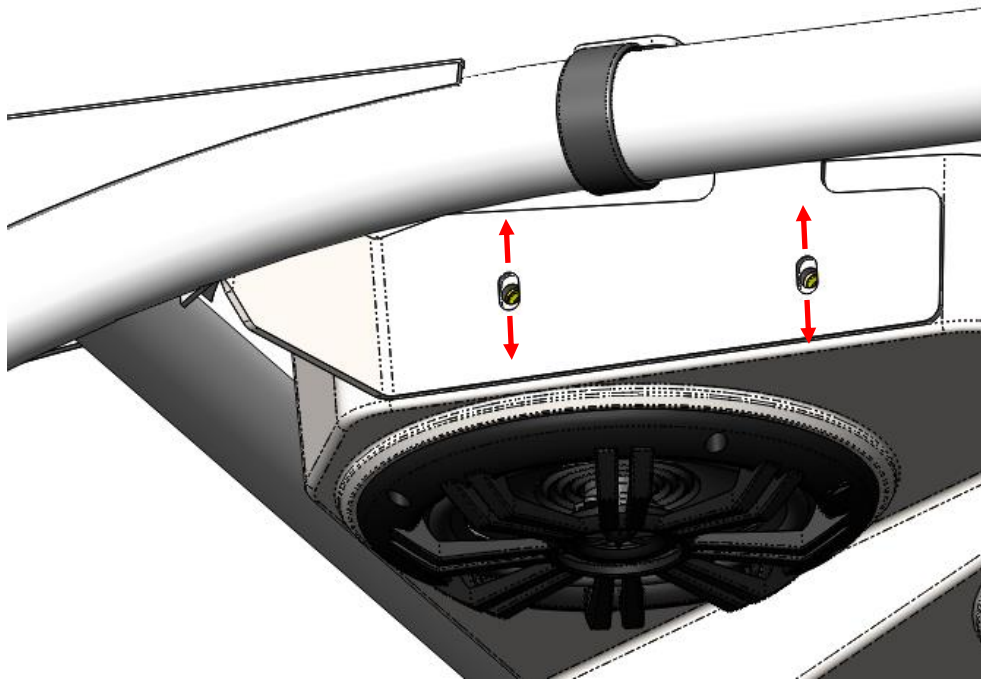


Figure 17: Adjustable up-down positioning of the Audio Mini.

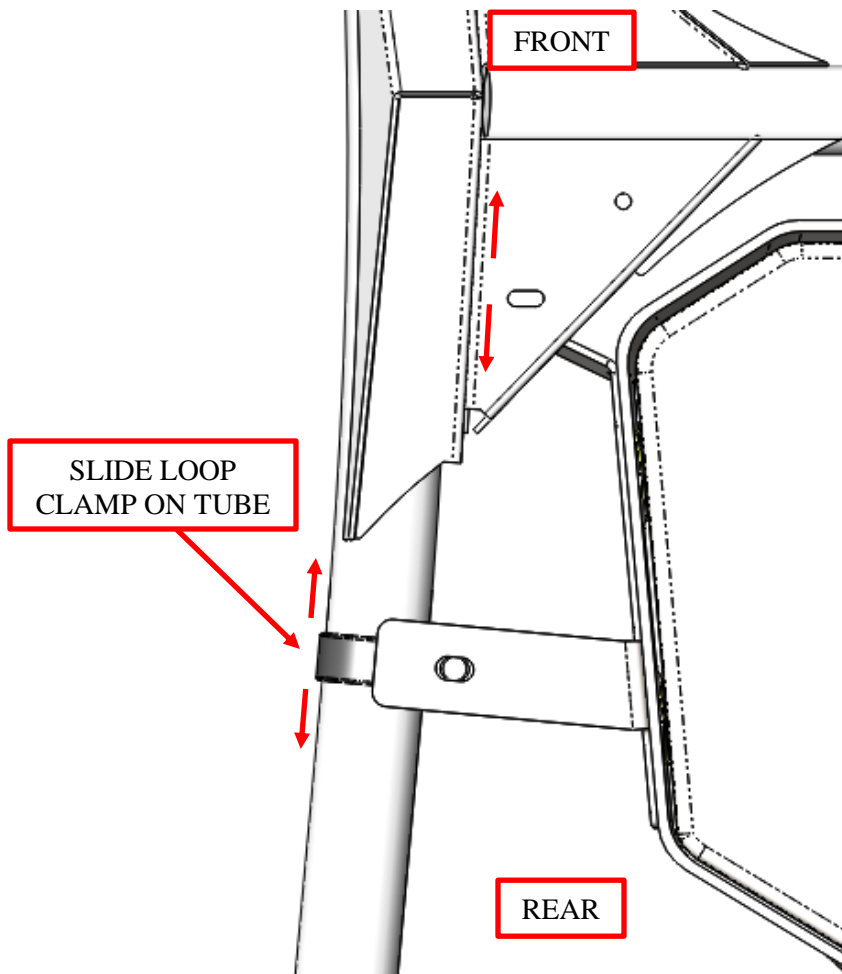


Figure 18: Adjustable front-back positioning of the Audio Mini.

16. Tighten all zip ties, and secure the chassis harness to the frame under the dash. Make sure the battery jumper wire is secured away from any moving suspension components.
17. **Make sure the battery jumper wire is secured to the center post in Figure 11 before making the connection at the battery.** Connect the battery jumper wire to the positive (red) terminal on the battery as shown in Figure 19. Reinstall the rubber boot over the terminal, and reinstall the black rubber battery cover.



Figure 19: Install battery jumper cable and reinstall protective covers.

18. Reinstall the plastic rivets and two screws to reinstall and secure the center dash. See Figure 6 and Figure 7.
19. Reinstall the plastic pop rivet by the driver's front down tube seen in Figure 13.
20. You are now ready to enjoy the music and lighting provided by your *Audio Mini* off-road sound system. Basic operation works as follows:
  - Turn the vehicle ignition switch on to power up the stereo system. (You must press the power button for first time connections or if the power was previously turned off manually.)
  - Press the source button on the stereo receiver to select the input source from AM/FM radio or Bluetooth.
  - Press and hold the menu button to access the Device Settings menu.
    - Use the Volume knob to change the values for each setting, and press it to confirm the setting.
  - Press and hold the Volume knob to access the Audio Settings menu.
    - Use the Volume knob to change the values for each setting, and press it to confirm the setting.
  - The dome light can be used with or without the vehicle's ignition switch on. Press the on/off switch to activate the light. **Warning: Extended use of the dome light or stereo without the vehicle's charging system functioning will deplete the battery and the engine may not start.**

To learn about the more advanced features and operation of your stereo, visit the Kicker website links found in SECTION 2 – About your Audio Mini sound system of this document.

Thank you for choosing the Hoppe *Audio Mini* off-road sound system for your Kawasaki Teryx KRX UTV. We hope you enjoy your new sound system and lighting. We invite you, in your travels, to stop by our manufacturing plant in Troup, Texas, for a factory tour and to meet the people who designed and manufactured your *Audio Mini* off-road sound system. This will also give you an opportunity to check out our sister companies



and our extensive line of trike conversions, automotive, motorcycle, and power sports accessories.

We believe you will be impressed by what you witness and the people you will meet.