



**INSTALLATION INSTRUCTIONS / OWNER'S MANUAL:
AUDIO MINI
OFF-ROAD SOUND SYSTEM FOR CAN-AM DEFENDER / DEFENDER MAX
MODELS**

www.hoppeindustries.com
22667 FM 15 Troup, TX 75789
(262) 552-2770

Thank you for choosing the Hoppe *Audio Mini* off-road sound system. We hope you enjoy the off-road sound system, and we ask that you follow these instructions very closely. Doing so will save you time and ensure that your experience with the new *Audio Mini* is a positive one.

We strongly suggest that you read the complete instructions before beginning the installation process to eliminate the possibility of performing unnecessary work.

Having a safe and clean environment and using the proper tools is essential for a successful installation.

It is critical that proper eye wear, ear protection, and protective clothing is worn throughout the top installation.

When you receive your *Audio Mini* off-road sound system, please check to ensure that all parts and hardware are included. If there are any parts missing or if you have any questions concerning the system at this time call Hoppe at (262)-552-2770 Mon-Thur. 8am-5pm CST or Friday 8am -12pm CST. Or you can email us at tech@hoppeindustries.com.

Hoppe reserves the right to change specifications, equipment, or designs at any time without notice and without incurring obligation.

TABLE OF CONTENTS

SECTION 1 – <i>Tools Required</i>	4
SECTION 2 – <i>About your Audio Mini sound system</i>	4
2.1 Applicable Year Models:	4
2.2 Audio Equipment Details:.....	4
2.3 Warranty:	5
2.4 Care and Maintenance:	5
2.5 Warnings:.....	6
SECTION 3 – <i>Pre-Installation Inspection</i>	7
SECTION 4 – <i>Installation</i>	8



SECTION 1 – Tools Required

- Socket wrench set
- Combination wrench set
- Wire cutters

In addition to the above items, you may need shop supplies such as electrical tape, wire ties, thread locking compound.


SECTION 2 – About your Audio Mini sound system

2.1 Applicable Year Models:

This *Audio Mini* off-road sound system is designed to fit the following Defender/Defender Max models:

- 2017-2020 DEFENDER HD5
- 2016-2020 DEFENDER HD8 & DEFENDER HD10 (all versions)
- 2017-2020 DEFENDER MAX HD8 & DEFENDER MAX HD10 (all versions)
- All versions means it includes sub models such as 6x6, PRO, DPS, XT, XT-P, XMR, and Lone Star editions.
- This top is compatible with most front windshields (Full, Flip, Powerflip, and ProVent) and roofs (front roof liner is not compatible).
- This system is not compatible with rear view mirrors that mount to the visor.
- This system is not compatible with wiper kits that mount high up by the visor.

2.2 Audio Equipment Details:

Your *Audio Mini* off-road sound system is powered by  using their marine series audio equipment. This equipment is designed to function in all weather conditions with an IPX6 water resistance (powerful water jet) rating. The stereo is specifically engineered to provide excellent sound quality and volume in an open air environment so you can enjoy your music on the go.

To learn more details about your stereo system, you can access product information and manuals for the stereo equipment here:

- KMC2 receiver: <https://www.kicker.com/kmc2>
- Speakers: <https://www.kicker.com/41KM604W>

You can feel free to crank up the volume without much worry of harming your system. However, it is wise to use a little common sense. If you hear any distortion, back off a little.

Use the equalizer settings in your KMC2 receiver to adjust the settings to your preferences.

2.3 Warranty:

Your *Audio Mini* comes equipped with a 1 year limited warranty covering the light, the stereo equipment, and the fiberglass enclosure. The date of warranty coverage will be determined by the registration date of the warranty card or online warranty registration.

<http://www.motortrike.com/TrikeAccWarranty.aspx>

If the warranty is not registered with Hoppe, the warranty period will begin when the Audio Mini was shipped from Hoppe's factory.

2.4 Care and Maintenance:

Your off-road sound system does not require any maintenance other than an occasional cleaning. To clean your audio system, simply hose off or power wash from a distance. If needed, use a mild automotive soap and sponge or brush. Use common sense. Do not use a high pressure power washer up close where it could cut, scar, or force water beyond the design intent of the enclosure, light, or stereo equipment.

There is an inline fuse, close to the end of the chassis harness where it connects to the battery terminals. It can be accessed by pulling the cap off of the fuse holder. See Figure 1.

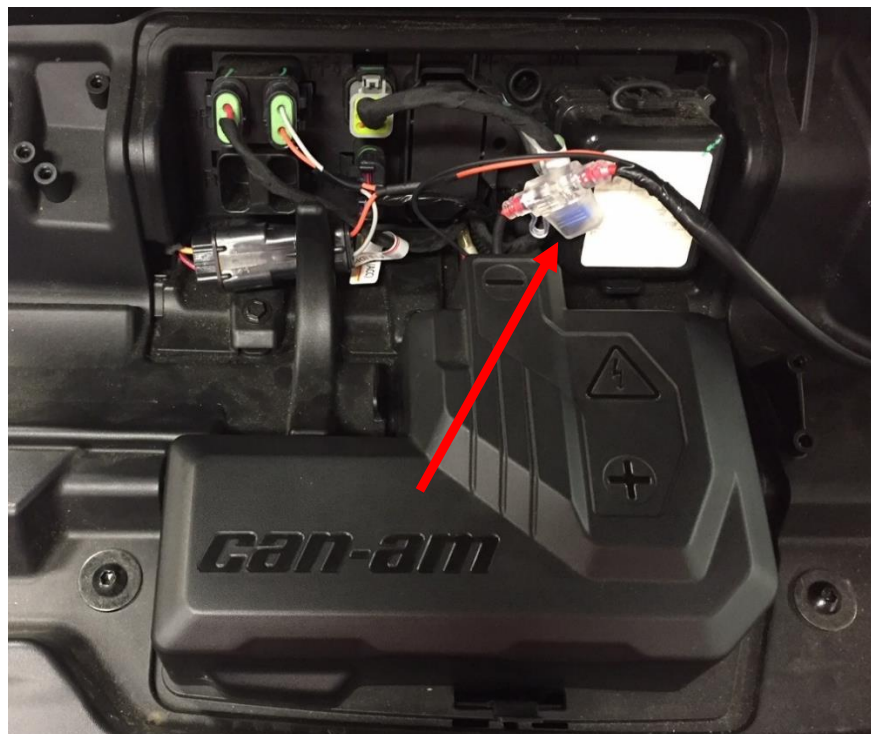


Figure 1: Fuse location.

- Fuse 1: 15 amp mini fuse for light / radio receiver power.



There is also a 40 amp capacity skirted mini ignition relay built into the chassis harness next to the inline fuse. See Figure 2.



Figure 2: Chassis harness ignition relay

2.5 Warnings:

This off-road system adds up to 25 lbs. to your vehicle and is located up high on the roll cage. This increases the vehicle's center of gravity and changes the vehicle dynamics and handling characteristics. Use extra caution as you learn the driving characteristics of your vehicle with your new off-road sound system installed. High speed cornering, off camber or side hill, acceleration, and braking performance will be negatively impacted by the weight of the sound system.

Do not listen to your stereo at an uncomfortable volume for extended periods of time. Potential hearing loss may result.

SECTION 3 – Pre-Installation Inspection

Included in your off-road sound system are the following components:

- Pre-assembled *Audio Mini* off-road sound system (All speakers and electronics come preinstalled with interior wire harness.)
- Chassis wire harness
- Mounting brackets
- Hardware bag
- Zip ties and cable mounts
- Alcohol wipe

If any of the parts are missing, damaged, or you have any questions concerning them, please call Hoppe at (262)-552-2770 Mon-Thur. 8am-5pm CST.

In addition to accounting for all of the parts that you should receive with the top, you should inspect the vehicle in the following ways.

- Ensure that the vehicle is equipped with the factory roll cage, and the roll cage has not been bent out of shape in a roll over.
- Make sure the vehicle does not have any aftermarket accessories that are incompatible with the top. **Note: This system fits inside the factory windshield visor and is compatible with most windshields and roofs that interface with this visor.**
 - **This system is not compatible with rear view mirrors that mount to the visor.**
 - **This system is not compatible with windshield wiper kits that mount high up by the visor.**
- Make sure the battery is in good condition and holds a charge.
- Make sure the charging system is in good condition.

SECTION 4 – Installation

1. Align the *Audio Mini* mounting brackets with the holes shown in Figure 3. Using the supplied ¼”-20 bolts and washers, mount the brackets and loosely tighten the nuts to allow for adjustment of the *Audio Mini* placement. Verify correct orientation of the mounting brackets. See Figure 4. **Note: If you have a roof installed, you will need to remove the roof or loosen the front mounting bolts to install the visor bolts.**

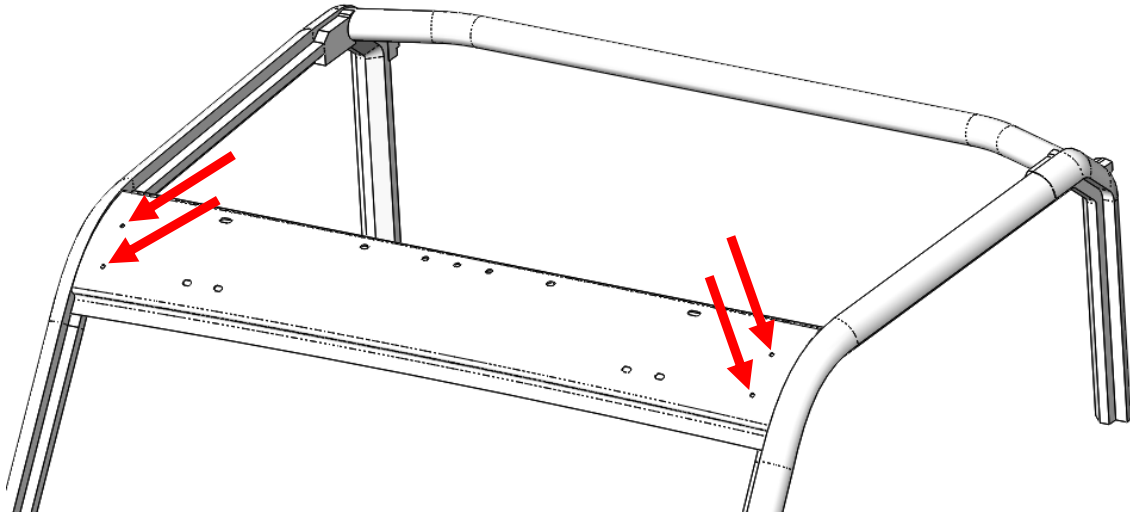


Figure 3: *Audio Mini* bracket mounting locations.

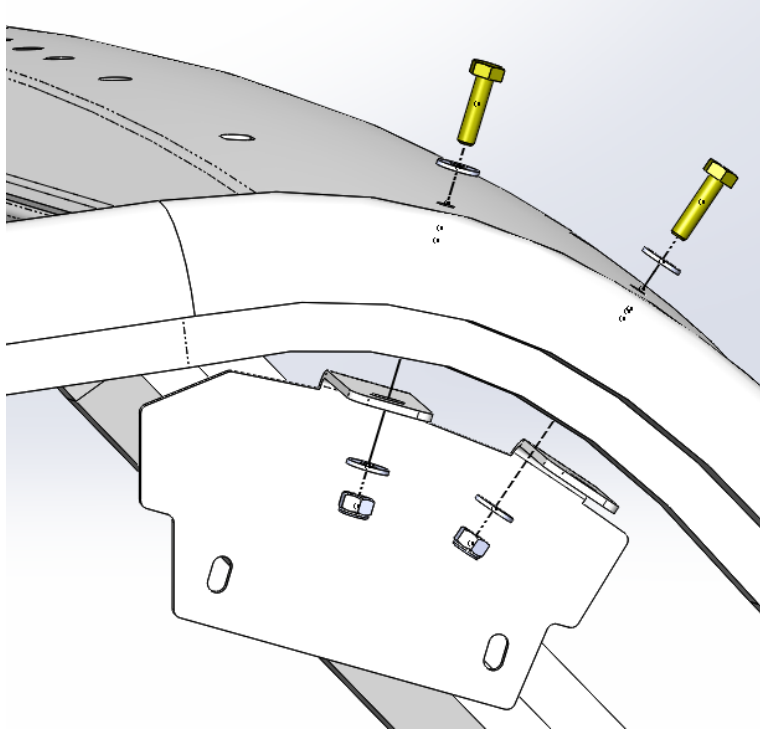


Figure 4: Mounting the *Audio Mini* brackets.

2. Reinstall your roof, as you will not be able to access any bolts in the visor once your *Audio Mini* is installed. Run the wire bundle from the chassis harness behind the *Audio Mini* mounting bracket before mounting the unit to the brackets. See Figure 5.



Figure 5: Placement of the chassis harness connector before mounting the unit.

3. Connect the harnesses and place the connectors on top of the unit towards the visor space. See Figure 6.
Note: The connectors will not fit between the visor and the *Audio Mini* once it is mounted to the brackets, so this step is important to not repeat work.



Figure 6: Harness connection on top of unit before mounting.

- Using an assistant, hang the *Audio Mini* off-road sound system on the brackets using the supplied $\frac{1}{4}$ "-20 bolts and washers (loosely tightened). **Note: The sound system weighs up to 25 lbs. Since you will have to lift and bolt each end, it is helpful to have an assistant for this step.** See Figure 7 and Figure 8.

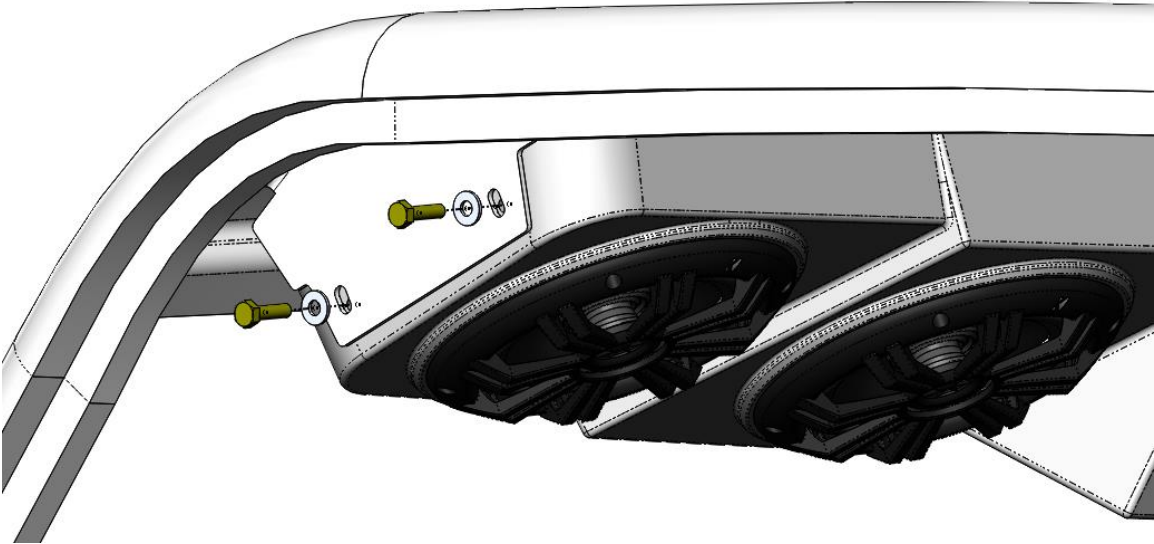


Figure 7: Install the $\frac{1}{4}$ "-20 bolts and washers to mount the Audio Mini to the brackets.

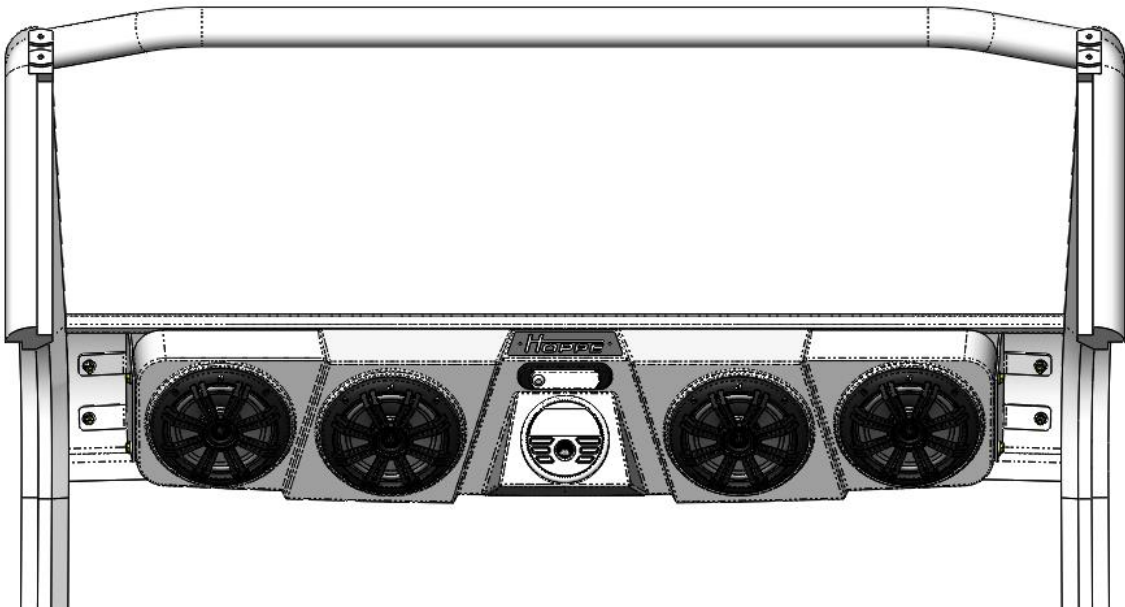


Figure 8: Loosely install the sound system on the mounting brackets.

- Tighten the 4 visor bolts so that the rear edge of the *Audio Mini* is flat across the rear edge of the visor. See Figure 9.

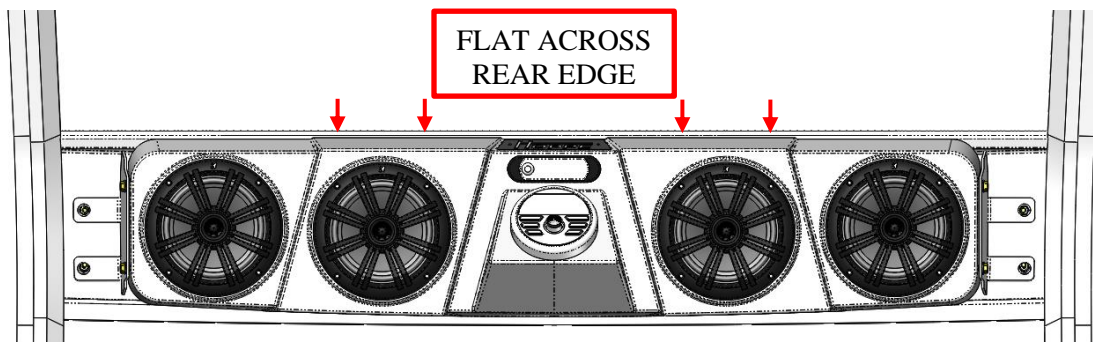


Figure 9: Audio Mini rear edge flat across rear edge of visor.

6. Tighten the 4 mounting bracket bolts after achieving the desired up-down position relative to the visor. Slots in the brackets allow up-down movement. See Figure 10.

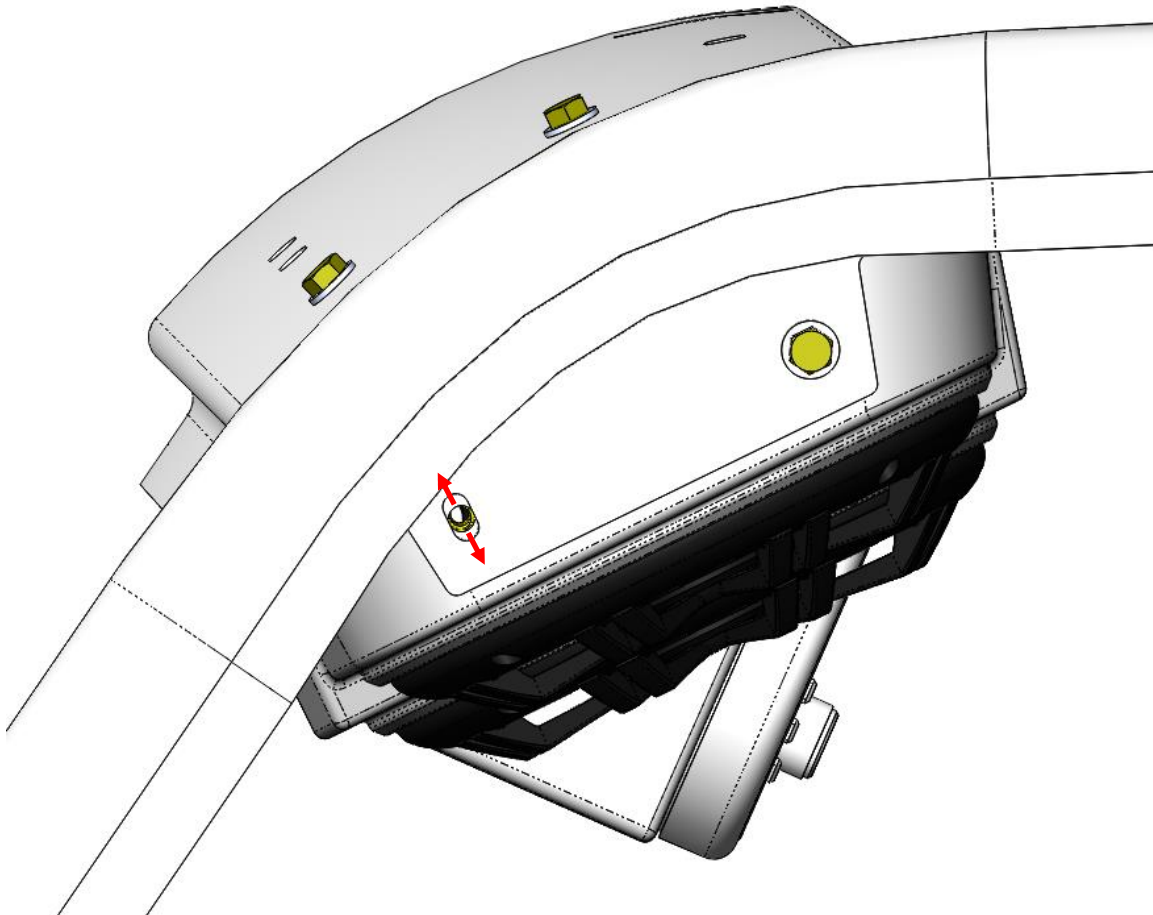


Figure 10: Up-down positioning of the Audio Mini.

7. Route the chassis harness, using the provided zip ties and cable mounts, down the driver's front pillar. Zip ties and mounts are at the indicated locations. Using the provided alcohol wipe, clean the cage surface thoroughly before applying the

cable mounts. **Note: If you have a windshield or plan to add one, we recommend applying the cable mounts to the inside surface of the A-pillar. If you do not have a windshield, apply the cable mounts in the windshield recess of the A-pillar as shown. See Figure 11.**



Figure 11: Route the chassis harness down the driver's front pillar.

8. Lift the radiator hood access panel by pulling the hood towards the front of the vehicle, lifting the front end, and locking the hood in the resting position. See Figure 12.



Figure 12: Lift the radiator hood access panel.

9. Remove the right plastic rivet to route the wiring under the plastic panel. The plastic rivet is released by first prying the center head up, then pulling the entire rivet out. See Figure 13.



Figure 13: Remove the plastic rivet to run the chassis harness under the panel.

10. Unplug the factory fuse holder in port PF4. See Figure 14.



Figure 14: Accessory port connection.

11. Remove the 40 amp fuse from the factory fuse holder and place into the matching connector on the chassis harness. See Figure 15 and Figure 16.

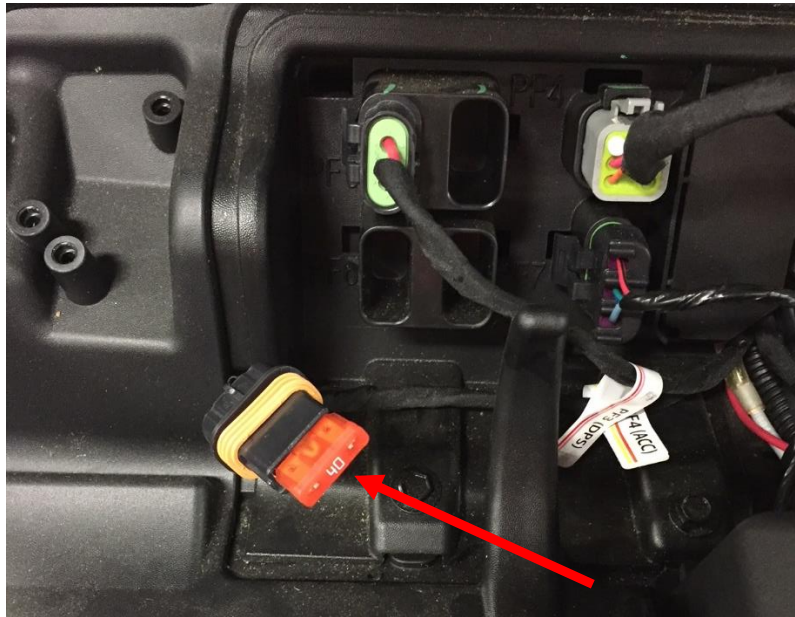


Figure 15: Factory fuse and fuse holder.

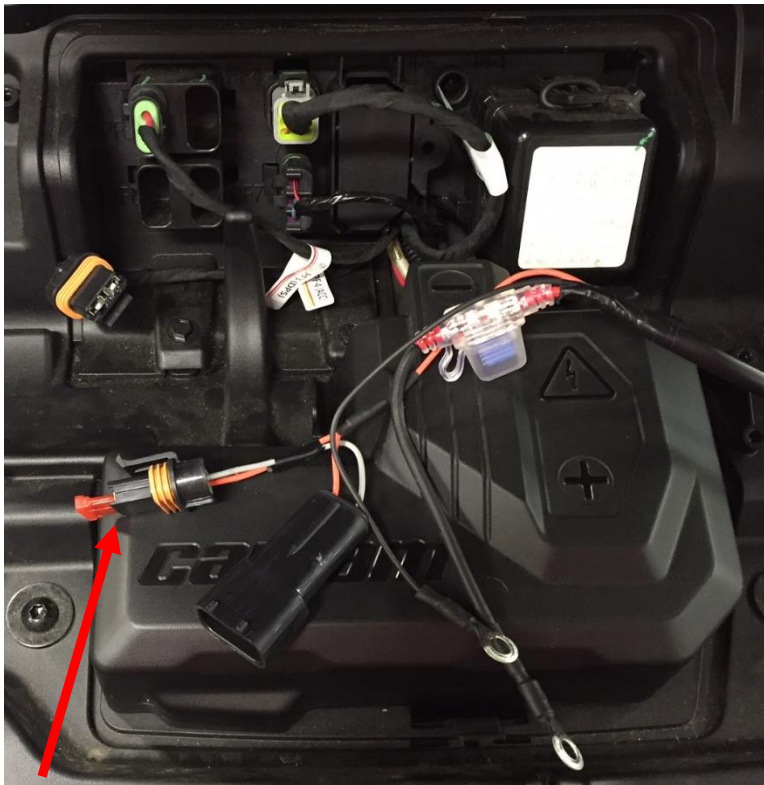


Figure 16: Place the fuse into the chassis harness connector.

12. Place the chassis connector with the fuse back into port PF4. Connect the factory fuse holder with the mating chassis connector. Remove the battery cover. Connect the red power wire to the positive terminal of the battery. Connect the black ground wire to the negative terminal of the battery. Use the supplied M6 x 1.0 nuts to clamp the cables on top of the existing battery cables. See Figure 17.

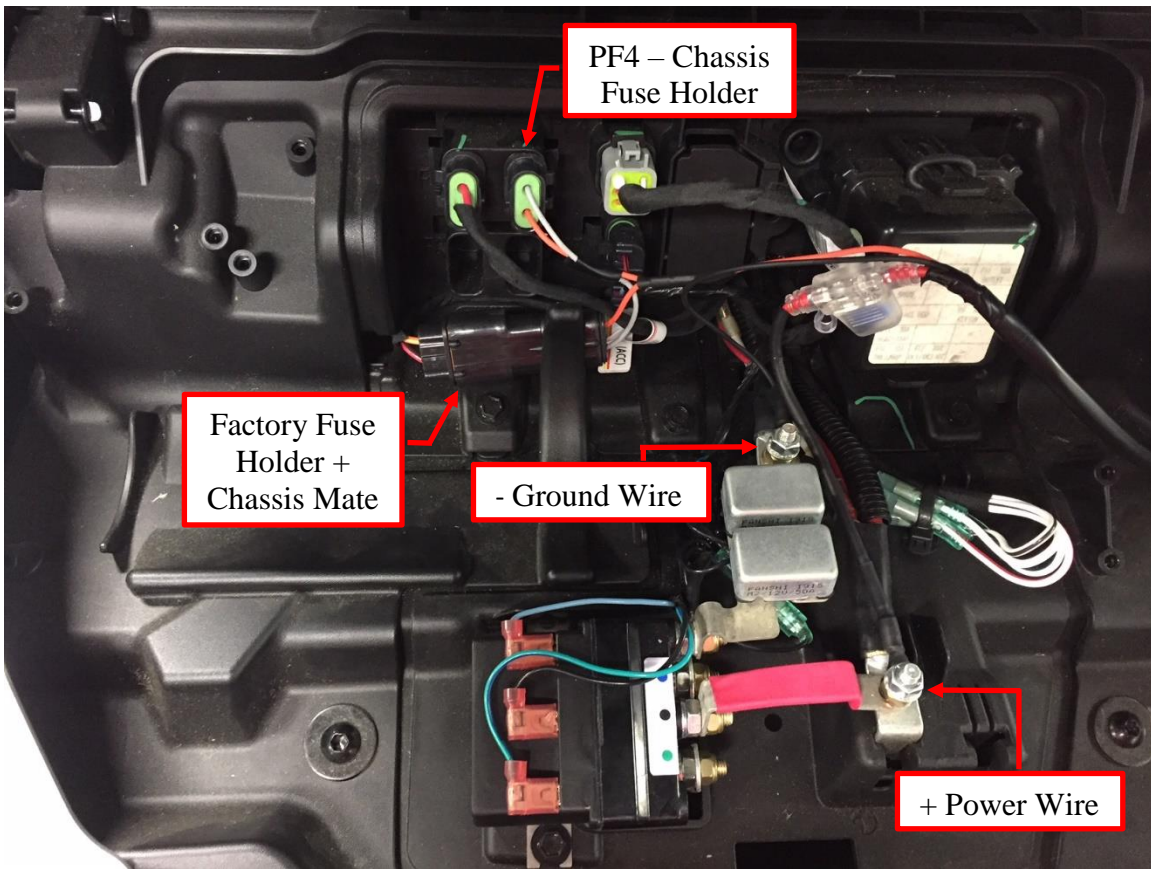


Figure 17: Attach the chassis harness and power wires.

13. Reinstall the battery cover. See Figure 18.

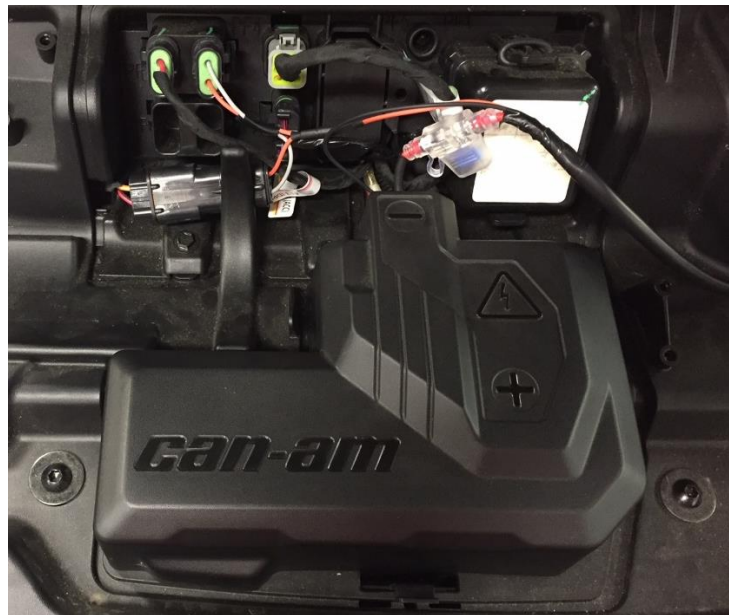


Figure 18: Reinstall the battery cover.

14. Reinstall the hood and plastic rivet.

15. You are now ready to enjoy the music and lighting provided by your *Audio Mini* off-road sound system. Basic operation works as follows:

- Turn the vehicle ignition switch on to power up the stereo system. (You must press the power button for first time connections or if the power was previously turned off manually.)
- Press the mode button on the stereo receiver to select the input source from AM/FM radio or Bluetooth.
- Hold the mode button to access additional menus.
- The dome light can be used with or without the vehicle's ignition switch on. Press the on/off switch to activate the light. **Warning: Extended use of the dome light without the vehicle's charging system functioning will deplete the battery and the engine may not start.**

To learn about the more advanced features and operation of your stereo, visit the Kicker website links found in SECTION 2 – About your Audio Mini sound system of this document.

Thank you for choosing the Hoppe *Audio Mini* off-road sound system for your Can-Am Defender UTV. We hope you enjoy your new sound system and lighting. We invite you, in your travels, to stop by our manufacturing plant in Troup, Texas, for a factory tour and to meet the people who designed and manufactured your *Audio Mini* off-road sound system. This will also give you an opportunity to check out our sister company



and our extensive line of trike conversions, motorcycle, and power sports accessories.

We believe you will be impressed by what you witness and the people you will meet.