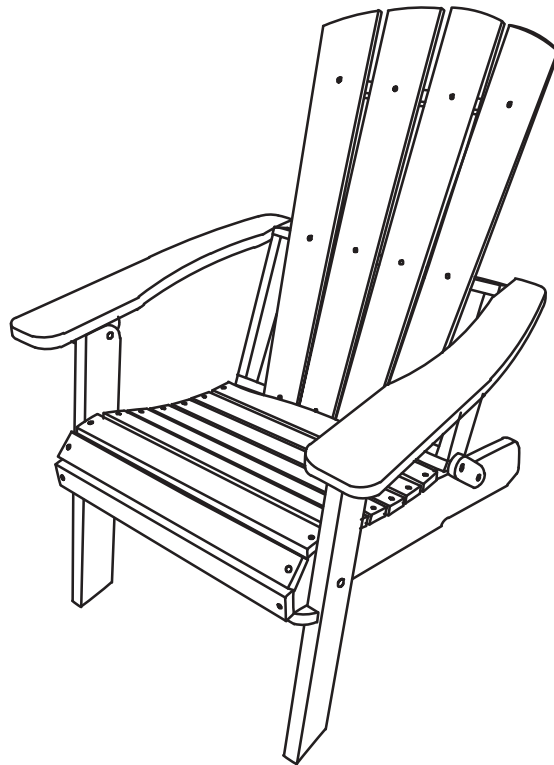


# MODERN FOLDING ADIRONDACK CHAIR OWNER'S MANUAL

MODEL: MDRN-ADI



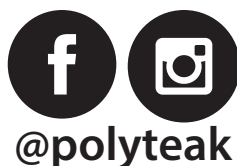
## Thank you for your purchase!

Our company's goal is to provide high-quality products and attentive customer service to valued customers like you. If any problems or issues should arise, we are always here and ready to help!

Please contact us at [info@polyteakoutdoor.com](mailto:info@polyteakoutdoor.com) and we will be sure to follow up with you promptly. We hope to meet and exceed your expectations!

---

Let's Get  
Social!

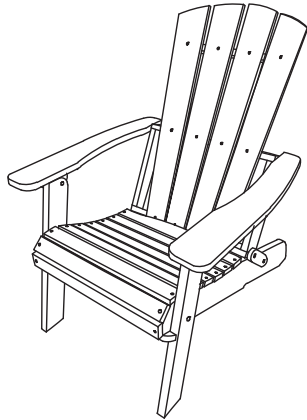


Share the beauty of your outdoor space with us!

We love seeing where our products end up, so be sure to tag us. #polyteak

# ASSEMBLY INSTRUCTIONS

MODEL: MDRN-ADI



## Congratulations!

You made a great choice by selecting a PolyTEAK® brand item for your recent purchase. We pride ourselves on delivering high-quality products that are both stylish and durable, ensuring that they'll be enjoyed for years to come.

If you have any issues during assembly, please don't hesitate to get in touch!

**Email: [info@polyteakoutdoor.com](mailto:info@polyteakoutdoor.com)**

**Phone: (949) 316-0010**

**Monday - Friday, 10AM - 5PM PST**

### ASSEMBLY REQUIREMENTS

- Two Person Assembly (Recommended)
- Assembly Time (Approximate): 30 Minutes
- Tools Required: Allen Wrench (provided)

### ASSEMBLY PREPARATION

- Remove all packaging materials, staples and packing straps from the carton.
- Refer to components list and ensure they are complete before you start assembling.
- Place all components on a clean, flat and soft surface to prevent parts from getting scratched (e.g. carpet or rug).

### SAFETY PRECAUTIONS

- KEEP ALL SMALL PARTS OUT OF REACH OF CHILDREN DURING ASSEMBLY PROCESS AND AFTER ASSEMBLY IS COMPLETE. THESE MAY BE FATAL IF SWALLOWED OR INHALED.
- DISPOSE OF PLASTIC PACKAGING MATERIAL IMMEDIATELY TO AVOID ANY RISK OF SUFFOCATION TO CHILDREN AND ANIMALS

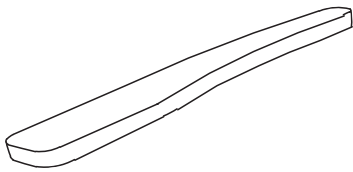
### TIPS FOR ASSEMBLY

- **DO NOT OVER-TIGHTEN BOLTS DURING ASSEMBLY! LEAVE SPACE AND FULLY TIGHTEN ONCE COMPLETE.**
- Assemble in an ample room and close to where the product will be placed.
- Assemble the product on a surface that does not scratch or damage the exterior and finishing of the furniture.
- Please check all of the parts and quantities are included before assembly. Incorrect assembly or damaged component will have risk of injury. Contact customer service for missing parts.
- Identify all of the parts, tools and quantities required for each step.
- Always place the product on a flat surface.
- Please do not throw away any of the packaging or instructions until you have checked that all components are present and the product is fully assembled. Please ensure that the packaging is disposed in a safe and environmentally friendly way.

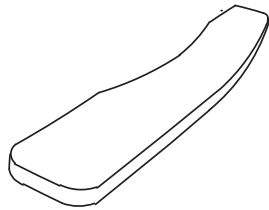
# ASSEMBLY INSTRUCTIONS

MODEL: MDRN-ADI

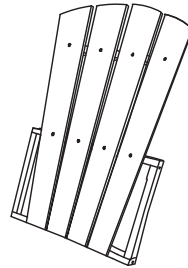
## PARTS & HARDWARE LIST



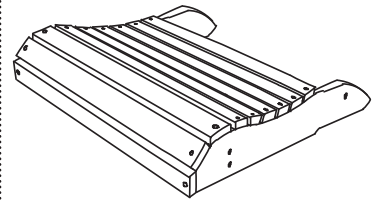
(A) Right Arm - 1 Piece



(B) Left Arm - 1 Piece



(C) Back - 1 Piece



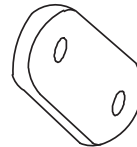
(D) Seat - 1 Piece



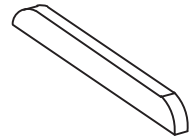
(E) Right Leg - 1 Piece



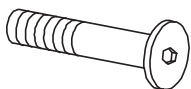
(F) Left Leg - 1 Piece



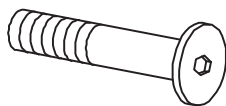
(G) Folding Bracket - 2 Pcs.



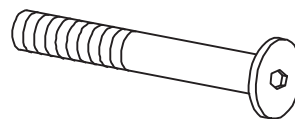
(H) Curved Slat - 1 Piece



(I) 1.4" Bolt - 2 Pieces



(J) 1.7" Bolt - 4 Pieces



(K) 2.5" Bolt - 6 Pieces



(L) Washer - 6 Pieces



(M) Nut - 6 Pieces



(N) Wrench - 1 Piece



(O) Allen Wrench - 1 Piece

Missing Parts? Lost Hardware? Need Assistance?



**WE CAN HELP!**

For fastest service, contact us directly!

Phone:  
**(949) 316-0010**

Email:  
**support@polyteakoutdoor.com**

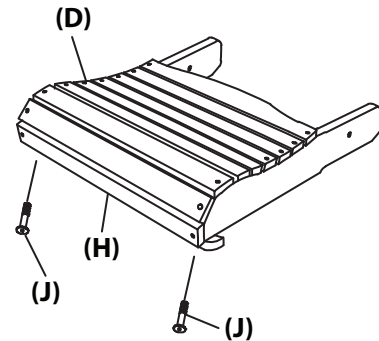


# ASSEMBLY INSTRUCTIONS

MODEL: MDRN-ADI

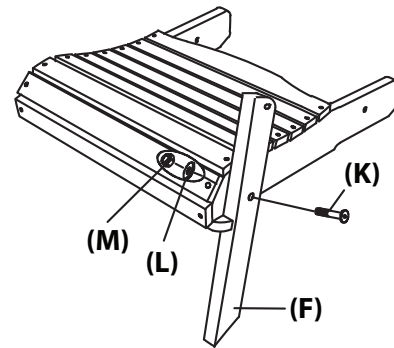
## 1 Step One:

Attach the Curved Slat (H) to Seat (D) using 2 x 1.7" Bolt (J) as shown.



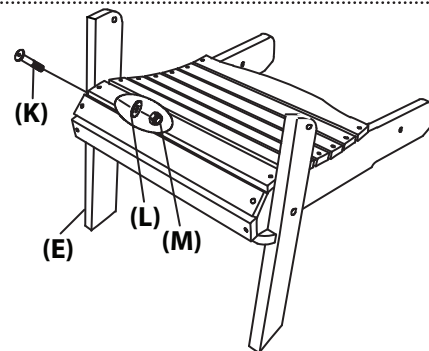
## 2 Step Two:

Attach the Left Leg (F) to Seat using 2.5" Bolt (K) as shown. Secure with Washer (L) and Nut (M).



## 3 Step Three:

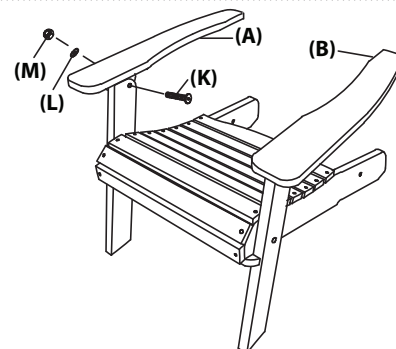
Attach the Right Leg (E) to Seat using 2.5" Bolt (K) as shown. Secure with Washer (L) and Nut (M).



## 4 Step Four:

Attach the Right Arm (A) to Right Leg using 2.5" Bolt (K) as shown. Secure with Washer (L) and Nut (M).

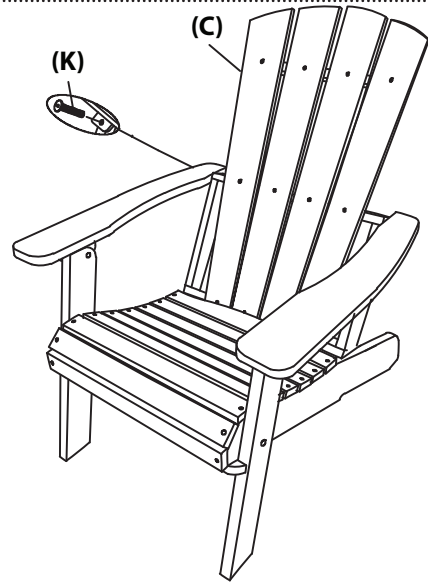
Repeat step to attach the Left Arm (B) to Left Leg using 2.5" Bolt (K). Secure with Washer (L) and Nut (M).



## 5 Step Five:

Attach Back (C) to rear of Right Armrest using 2.5" Bolt (K) as shown.

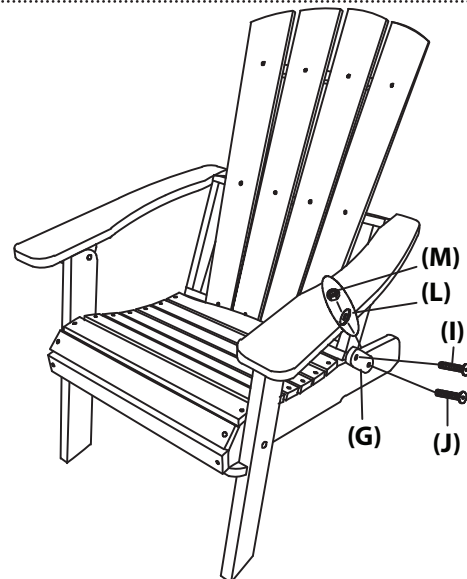
Repeat this step to attach Back (C) to rear of Left Armrest using 2.5" Bolt (K)



## 6 Step Six:

Attach Folding Bracket (G) to left side of Seat using 1.7" Bolt (J) through bottom hole as shown. Repeat this step to attach second Folding Bracket (G) to right side of Seat using 1.7" Bolt (J) through bottom hole.

Attach left Folding Bracket to Back using 1.4" Bolt (I) through top hole as shown. Secure with Washer (M) and Nut (M). Repeat step to attach right Folding Bracket to Back using 1.4" Bolt (I) through top hole. Secure with Washer (L) and Nut (M).





www.polyteakoutdoor.com  
info@polyteakoutdoor.com  
(949) 316-0010

## CARE & MAINTENANCE

MODEL: MDRN-ADI

This furniture product is made of 100% PolyTEAK® lumber, an all-weather material that is naturally resistant to water. With the combination of marine-grade hardware and all-weather design, you can have complete confidence in leaving your newly acquired PolyTEAK furniture outside season after season.

Routine cleaning of the furniture can be completed with only warm water and soap, while bleach may be mixed with the water (25% Bleach, 75% Water) for extra cleaning power. A stiff bristle brush can help to remove any particles from between the simulated wood grain.

### Comments or Questions?

**Email: [info@polyteakoutdoor.com](mailto:info@polyteakoutdoor.com)**

**Phone: (949) 316-0010**

**Monday - Friday, 10AM - 5PM PST**

## WARRANTY REGISTRATION

MODEL: MDRN-ADI | BATCH: PT8001

Registering your product with PolyTEAK ensures that it will be covered by our manufacturer warranty.

**To register your product, please visit:**  
**[www.polyteakoutdoor.com/register](http://www.polyteakoutdoor.com/register)**

**Think Green.  
Think PolyTEAK®.**



Our PolyTEAK® products are all built tree-free and are 100% recyclable.