

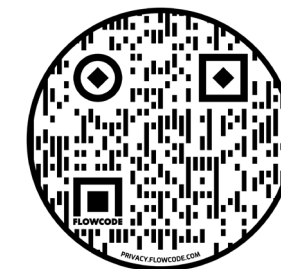


"We're reinventing all-weather outdoor style and we're just getting started..."



POLYTEAK®

Outdoor Style Reinvented



For assembly video, please scan QR code

CARE & MAINTENANCE

All you need to clean your PolyTEAK furniture is warm water and soap. For extra cleaning power, mix 25% bleach with 75% water. The sanding sponge included with your product can be used to remove any tough stain or build up without damaging the PolyTEAK material.

Need help? Contact Us!
 Email: info@polyteakoutdoor.com
 Phone: (949) 316-0010
 Monday – Friday, 10 AM – 5 PM PST

OUTDOOR STYLE REINVENTED

Each item is made with high-density material, which protects against cracks, rot and splinters, keeping your furniture timelessly beautiful, no matter the season.

UV-stabilized material resists color fading. This means no repainting ever!

Utilizing our tree-free simulated wood helps us do our part to preserve forests.

Most importantly, it looks and feels just like real wood!

PRE-ASSEMBLY PREPARATION:

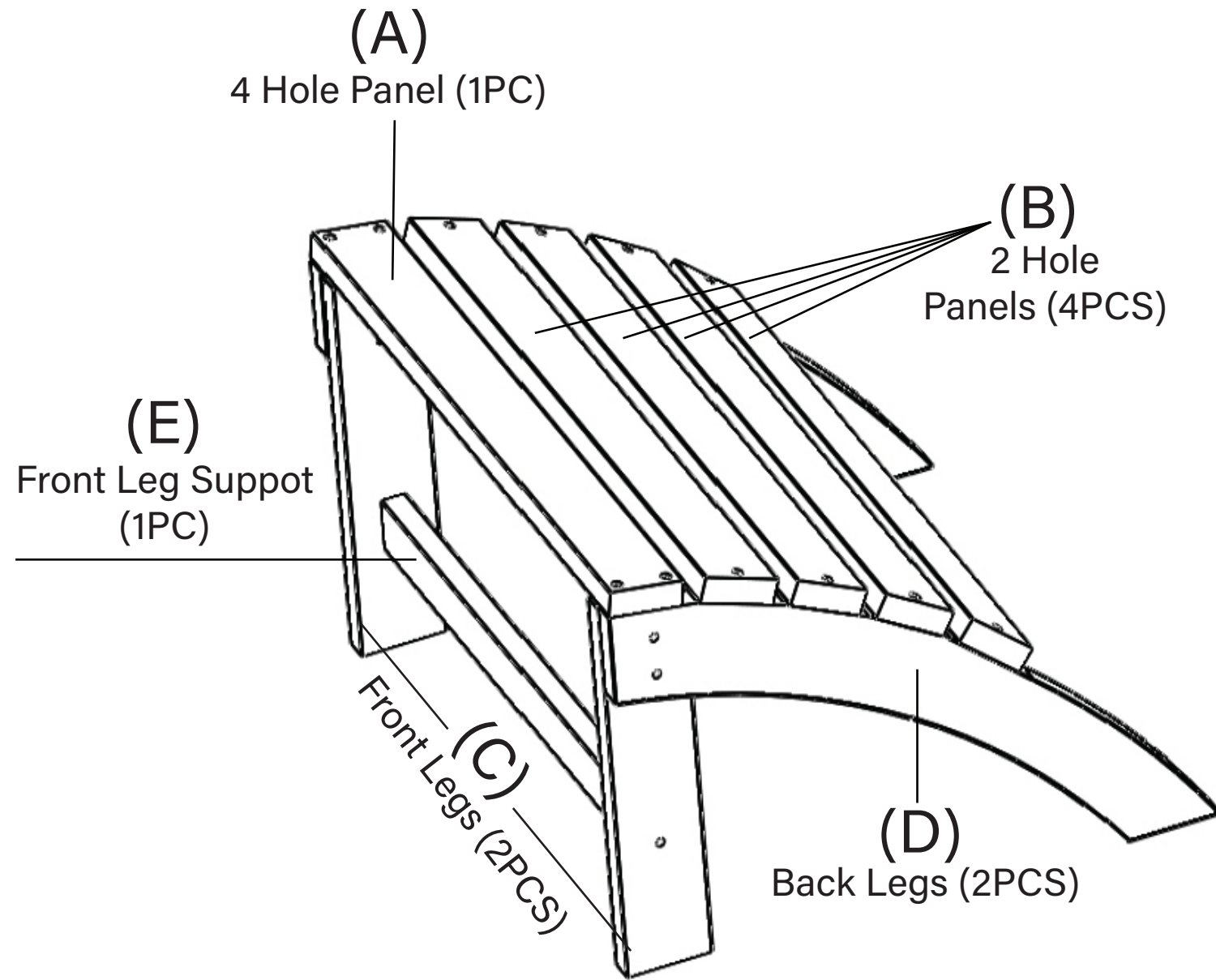


THIS PACKAGE MAY CONTAIN SMALL ITEMS WHICH SHOULD BE KEPT AWAY FROM CHILDREN

- Please check that all listed parts and hardware are included before beginning assembly.
- Save all packing materials until assembly is completed to avoid accidentally discarding small parts.
- Read through the preparation and assembly instructions in full before beginning assembly.
- Please use CAUTION AND CARE when lifting the product to avoid personal injury and/or damage to the product.
- For ease of assembly, two adults are recommended. Assembly time is approximately 30 minutes

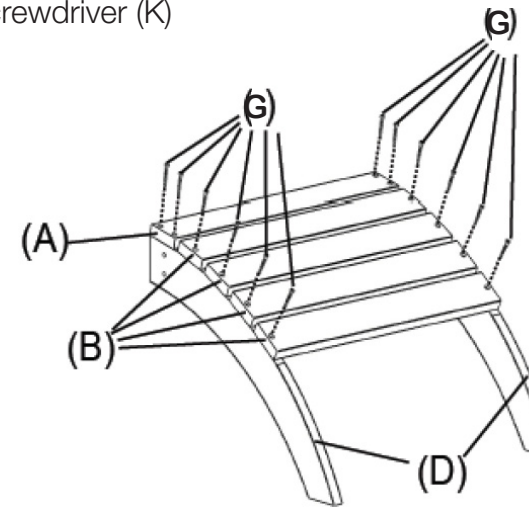
ITEM NAME : OTTOMAN
MODEL : CHAR-OTM

IMPORTANT NOTE: DO NOT OVERTIGHTEN THE BOLTS

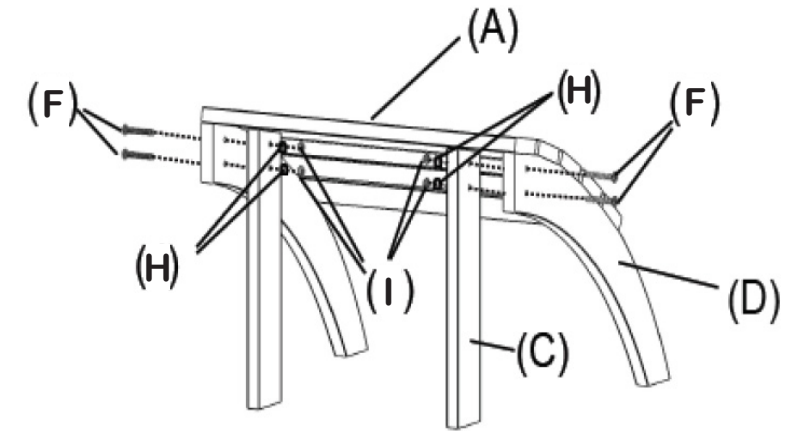


STEP-BY-STEP ASSEMBLY:

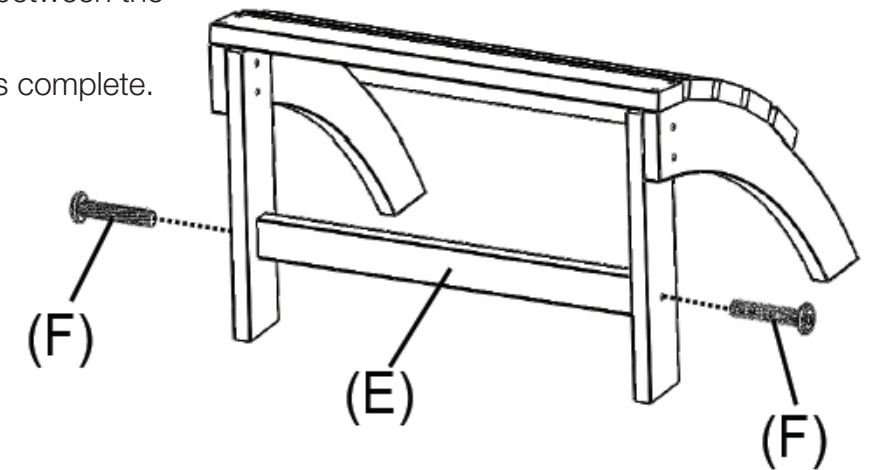
Step 1: Attach the 4 Hole Panel (A) to both Back Legs (D) using 4x Screws (G).
 Then attach all the 2 Hole Panels (B) to the Back Legs (D) using 8x Screws (G). Secure all with Screwdriver (K)



Step 2: Attach the Front Legs (C) to Back Legs (D) using 2x M6X50 Bolts (F) on each side as pictured. Secure each with Nut (H) and Washer (I).



Step 3: Attach the Front Leg Support (E) between the Front Legs (C) using M6X50 Bolts (F).
 Tighten all bolts and screws after assembly is complete.



PANEL AND FITTINGS IDENTIFICATION:

A: 4 Hole Panel (1PC)	B: 2 Hole Panels (4PCS)	C: Front Legs (2PCS)	D: Back Legs (2PCS)	E: Front Leg Support (1PC)

HARDWARE LIST:

F: M6X50 2" (6PCS)	G: Screws (12PCS)	H: Nut (4PCS)	I: Washer (4PCS)
J: Allen Wrench (1PC)	K: Screwdriver (1PC)	L: Hand Wrench(1PC)	Sanding Sponge for Cleaning

