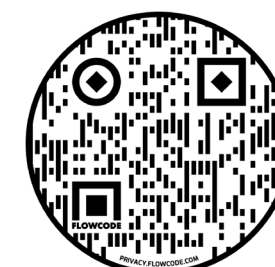


*"We're reinventing all-weather outdoor
and we're just getting started..."*



POLYTEAK®

Outdoor Style Reinvented



For assembly video, please
scan QR code

CARE & MAINTENANCE

All you need to clean your PolyTEAK furniture is warm water and soap. For extra cleaning power, mix 25% bleach with 75% water. The sanding sponge included with your product can be used to remove any tough stain or build up without damaging the PolyTEAK material.

Need help? Contact Us!
Email: info@polyteakoutdoor.com
Phone: (949) 316-0010
Monday – Friday, 10 AM – 5 PM PST

OUTDOOR STYLE REINVENTED

Each item is made with high-density material, which protects against cracks, rot and splinters, keeping your furniture timelessly beautiful, no matter the season.

UV-stabilized material resists color fading. This means no repainting ever!

Utilizing our tree-free simulated wood helps us do our part to preserve forests.

Most importantly, it looks and feels just like real wood!

PRE-ASSEMBLY PREPARATION:



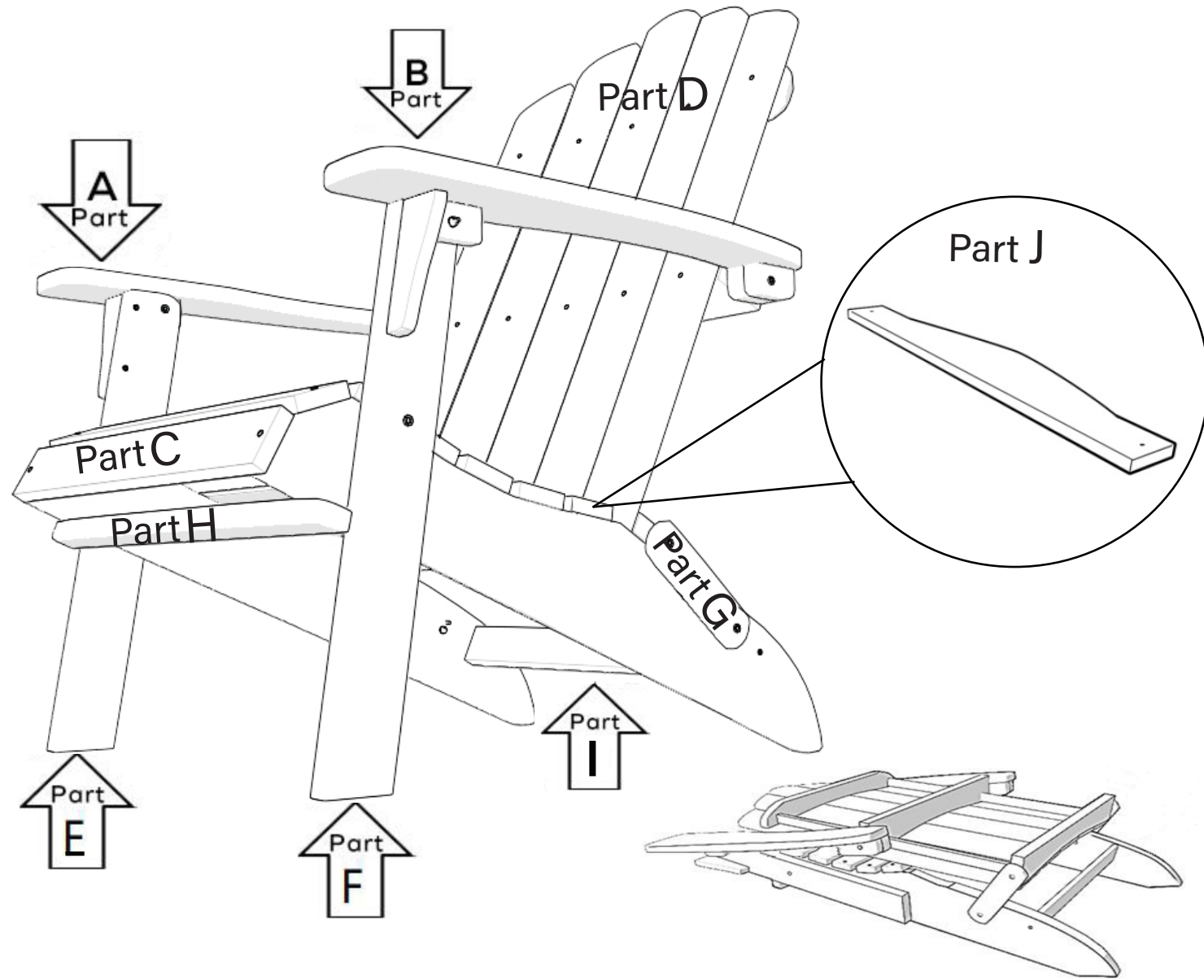
THIS PACKAGE MAY CONTAIN SMALL ITEMS WHICH SHOULD BE KEPT AWAY FROM CHILDREN

- Please check that all listed parts and hardware are included before beginning assembly.
- Save all packing materials until assembly is completed to avoid accidentally discarding small parts.
- Read through the preparation and assembly instructions in full before beginning assembly.
- Please use CAUTION AND CARE when lifting the product to avoid personal injury and/or damage to the product.
- For ease of assembly, two adults are recommended. Assembly time is approximately 30 minutes

ITEM NAME : Classic Foldable Adirondack Chair
MODEL : CLSC-ADI

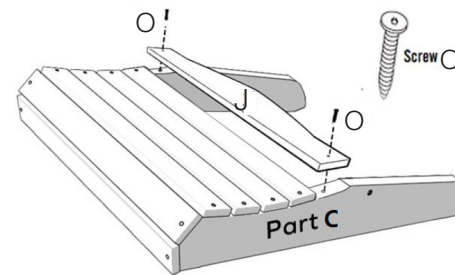


IMPORTANT NOTE: DO NOT OVERTIGHTEN THE BOLTS

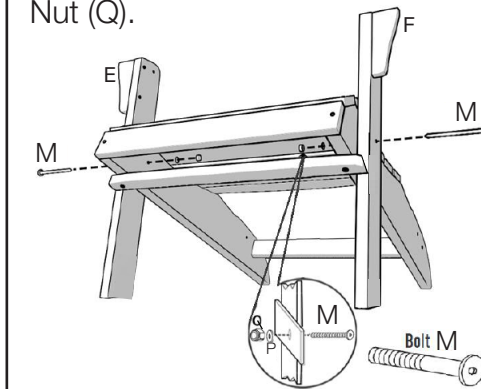


STEP-BY-STEP ASSEMBLY:

STEP 1: Attach the Curved Slat (J) to the Seat (C) using 2x 1-5/8" Screws (O) as pictured.



STEP 2: Attach Front Legs (E & F) to the Seat (C) using 2x 2-3/8" Bolts (M), one per leg as pictured, and secure with Washer (P) and Nut (Q).



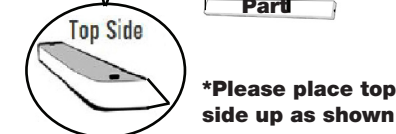
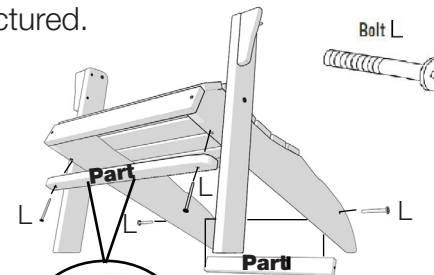
STEP 5: Attach Back Panel (D) to the Arms (A & B) using 2x 2-3/8" Bolts (M).
***Tip:** It helps to have a person hold the back panel (D)

Use 2x 1-2/5" Bolts (K) to attach the Folding Brackets (G) to the Back Panel (D).

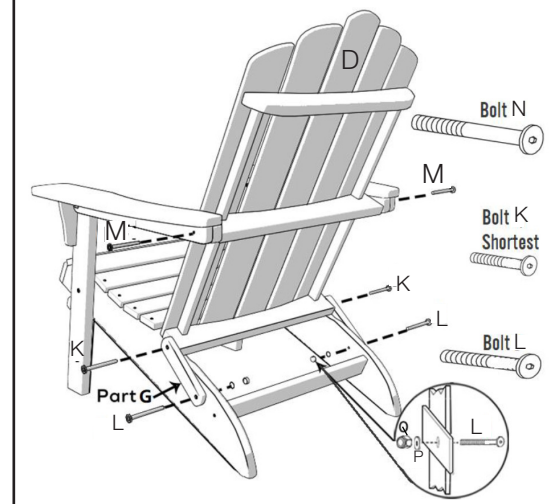
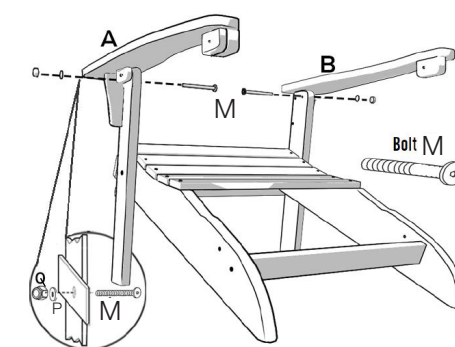
Use 2x 2" Bolts (L) to attach Folding Brackets (G) to the back legs and secure with Washer (P) and Nut (Q) as pictured.

Tighten all bolts and screws after assembly is complete.

STEP 3: Attach the Under-Seat Beam (H) to the Seat (C) using 2x 2" Bolts (L). Attach the Back Leg Cross Bar (I) between the back legs using 2x 2" Bolts (L) as pictured.



STEP 4: Attach Arms (A & B) to the Front Legs (E & F) using 2x 2-3/8" Bolts (M) and secure with Washer (P) and Nut (Q).



PANEL AND FITTINGS IDENTIFICATION:

A. Right Arm 1Pc	B. Left Arm 1Pc	C. Seat 1Pc	D. Back Panel 1Pc	E & F: Front Legs (2PCS)
G. Folding Bracket 2Pcs	H. Under Seat Beam 1Pc	I. Back leg Cross Bar 1Pc	J. Curved Slat (1PC)	

HARDWARE LIST:

K: 1-2/5" Bolts (2PCS)	L: 2" Bolts (6PCS)	M: 2-3/8" Bolts (6PCS)	O: 1-5/8" Screw (2PCS)
P: Washer (6PCS)	Q: Lock Nut (6PCS)	R: Philip Head Screwdriver (1PC)	S: Hand Wrench (1PC)
T: Allen Wrench (1PC)	Sanding Sponge for Cleaning		