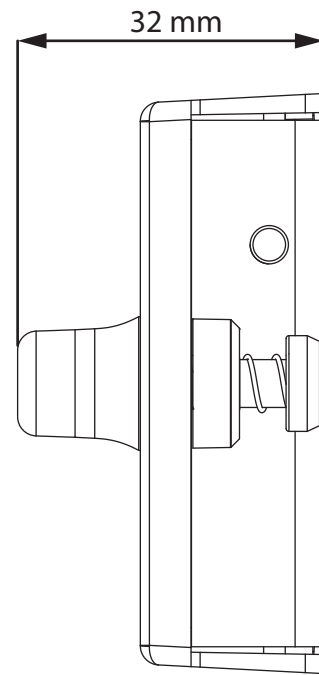
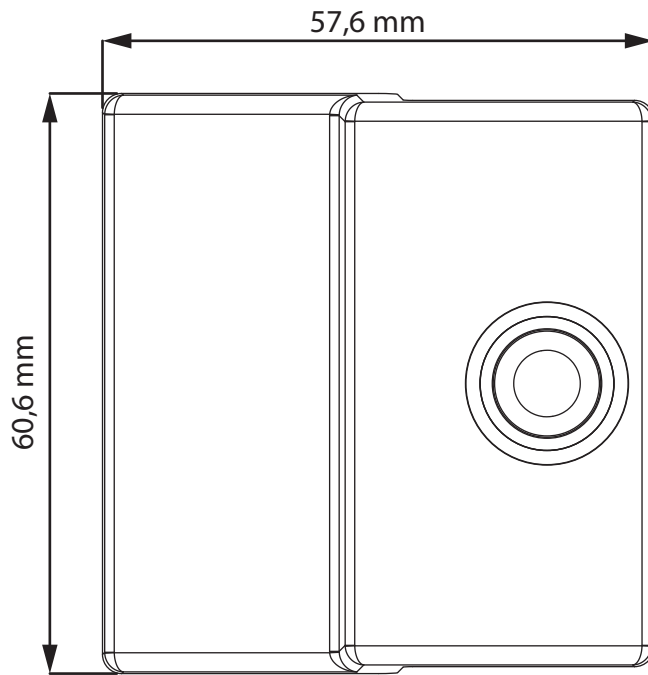


# Data sheet

## lock 21-000F



<b>Weight</b>	106 g.
<b>Mounting screws</b>	3x Ø5
<b>Magnet size</b>	Ø4x3,5mm
<b>Magnet</b>	NdFeB magnet Quality BM35
<b>Temperature range</b>	0-45 °C
<b>Tensile strength</b>	Max 600 kg.