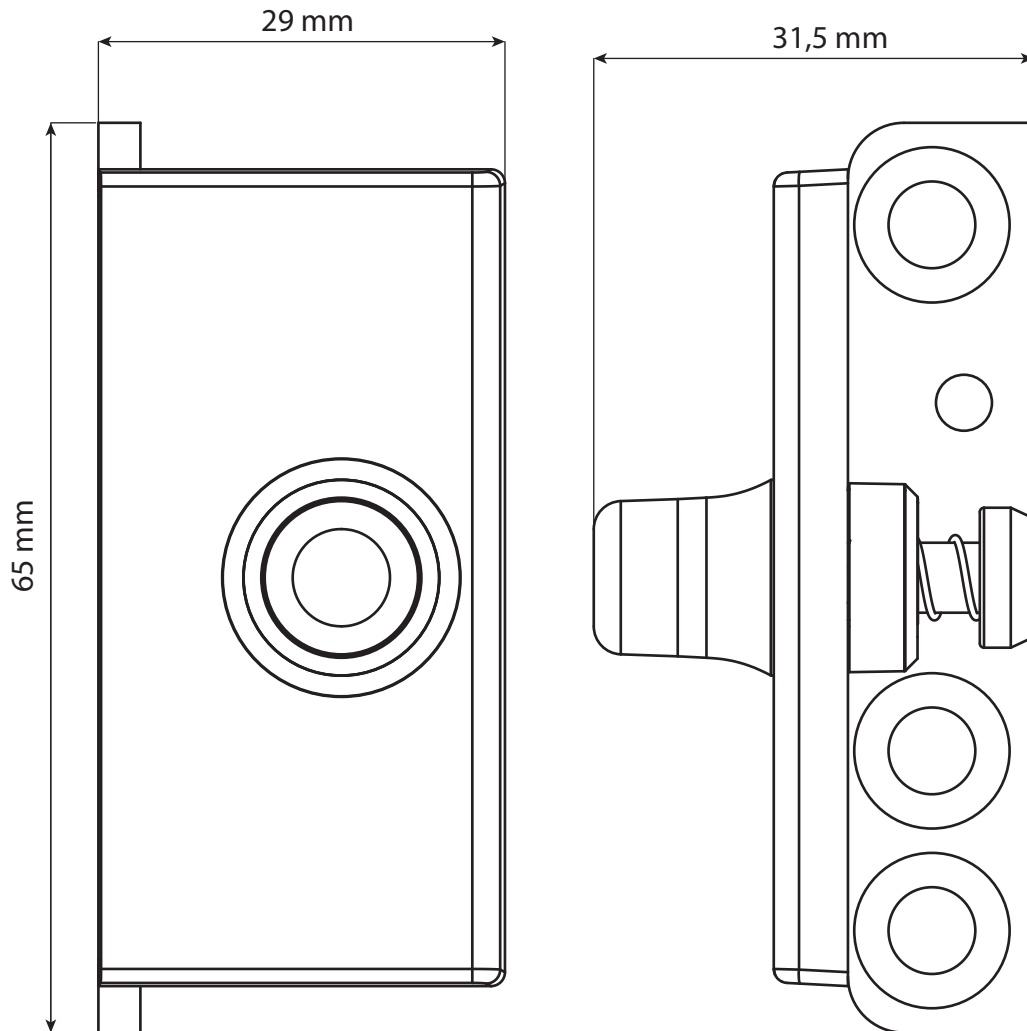


Data sheet

lock 21-000A



Weight	77 g.
Mounting screws	3x Ø5
Magnet size	Ø4x3,5mm
Magnet	NdFeB magnet Quality BM35
Temperature range	0-45 °C
Tensile strength	Max 600 kg.