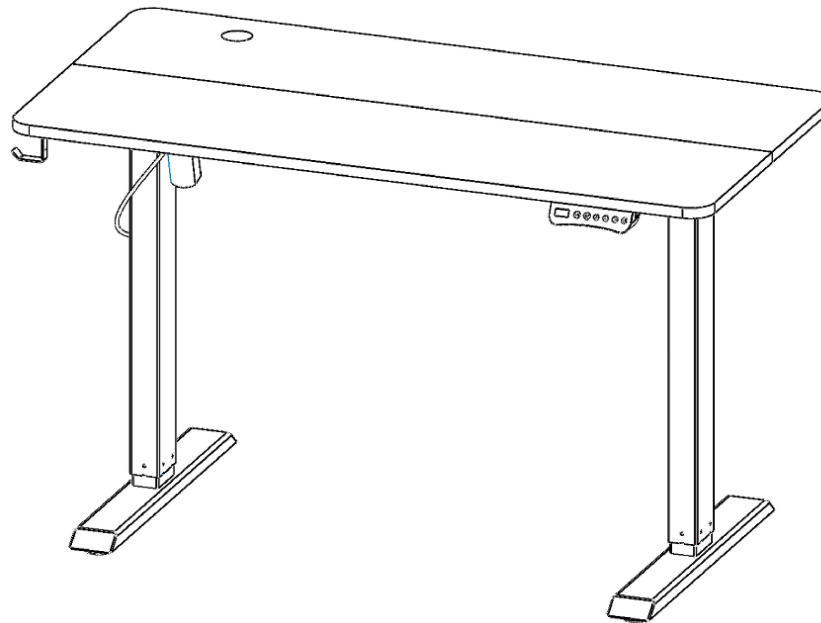
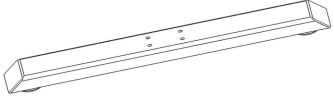
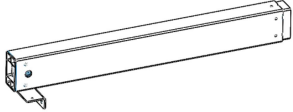
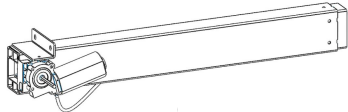
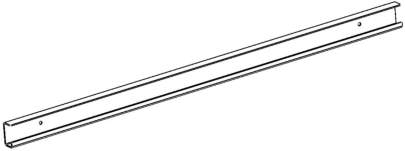
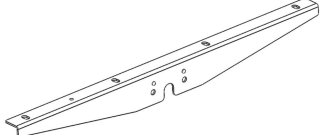

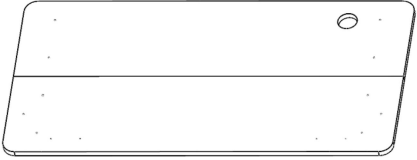





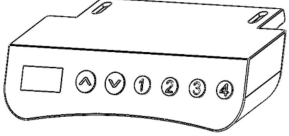
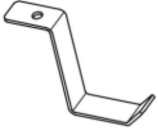




# **Assembly Installation**

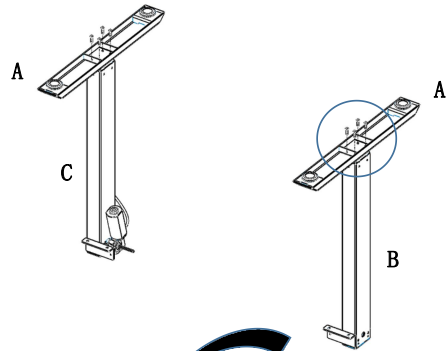
**Electric Sit To Stand Table 47x23 inch  
Win Up Time**



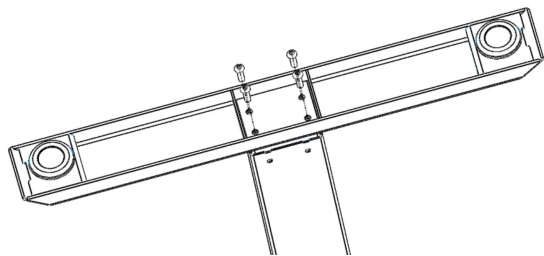
**If you have any questions, please feel free to contact us at [winuptime@gmail.com](mailto:winuptime@gmail.com)  
We will be happy to answer them for you.**

 <p>A×2</p>	 <p>B×1</p>	 <p>C×1</p>		
 <p>D×1</p>	 <p>E×2</p>	 <p>Before assembling, you need to unscrew the screw F×1</p>		
 <p>G×1</p>	 <p>H×6</p>	<p>ST4×12</p>  <p>I×2</p>	<p>M6×12</p>  <p>J×27</p>	<p>M6×20</p>  <p>K×8</p>
 <p>L×1</p>	 <p>N×1</p>	 <p>O×1</p>	 <p>P×1</p>	
 <p>M×1</p>				

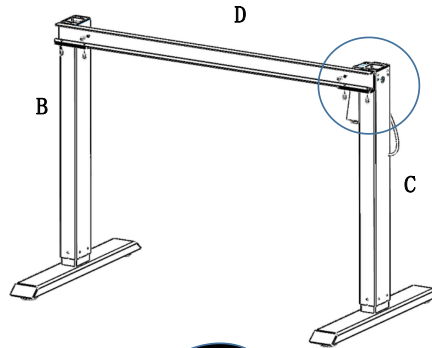
### 1. Foot installation



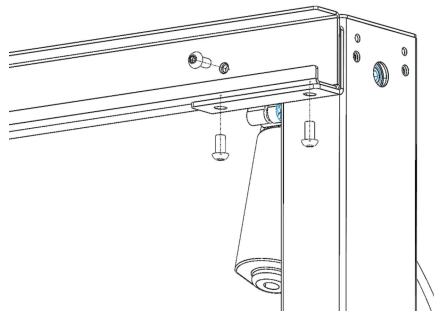
K×8



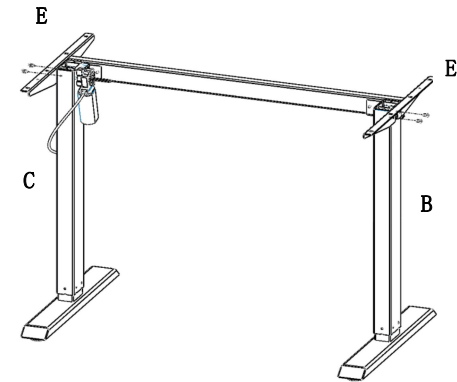
### 2. Beam installation



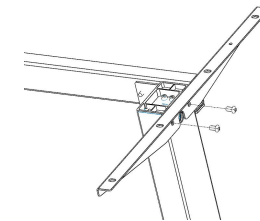
J×6



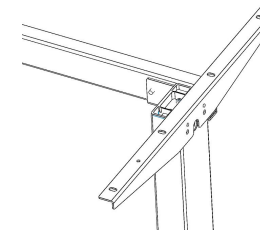
### 3. Side wing installation



J×4



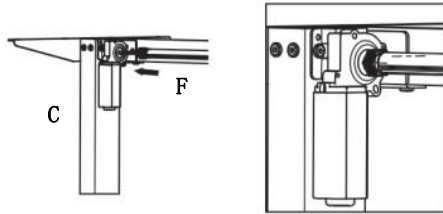
Right way to install the side wings



Wrong way

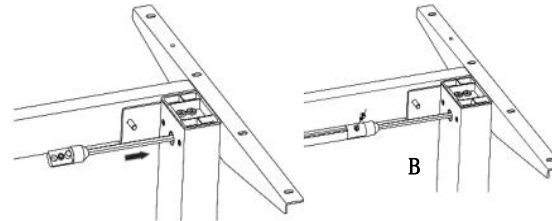
4. Drive rod installation

①



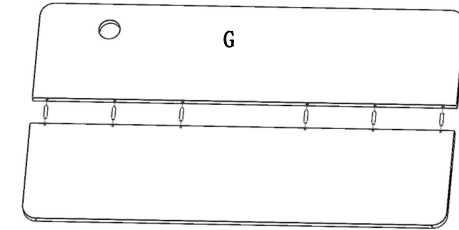
Insert the left end of the drive rod F into the hexagon bar of the left leg to the position shown in the right figure, and keep the position of the hexagon bar on the right side of the drive rod not to move, and then tighten the nuts.

②



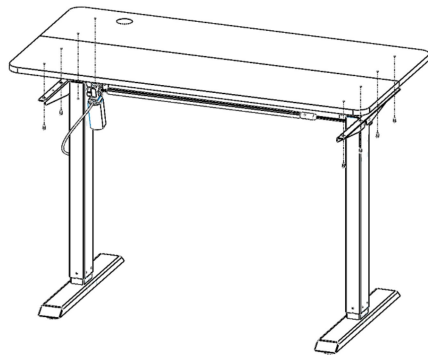
Insert the right end of the drive rod F into the right leg B and insert the hexagon bar to the position shown in the right figure, then tighten the screw on F.

5. Panel splicing



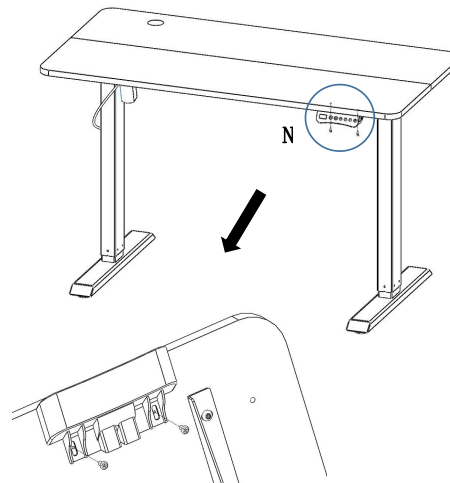
H×6

6. Panel installation



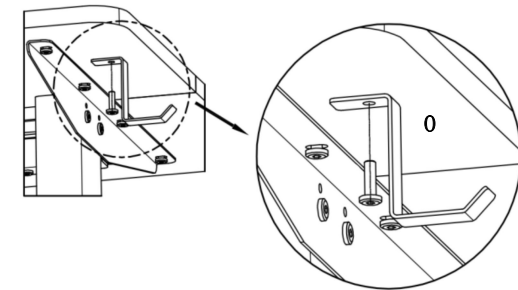
J×8

7. Installation of manual controller



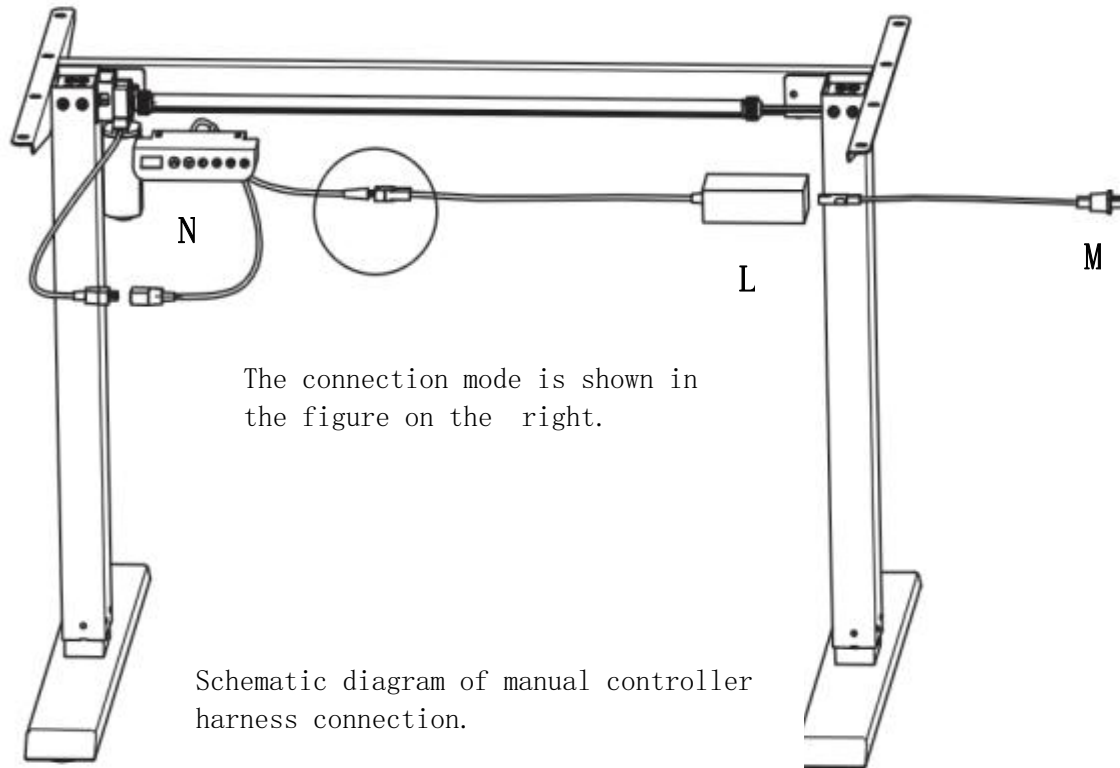
N×1  
I×2

8. Hook installation



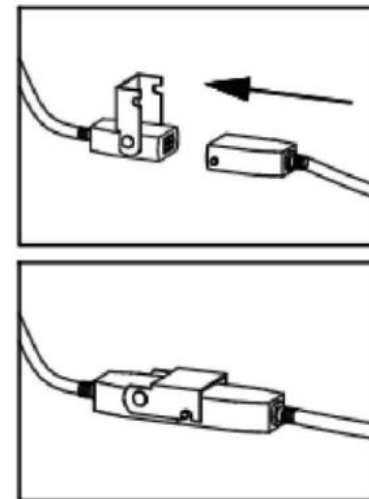
O×1  
J×1

## 9. Power-On



The connection mode is shown in the figure on the right.

Schematic diagram of manual controller harness connection.



## Height Adjustment Controller Operation

