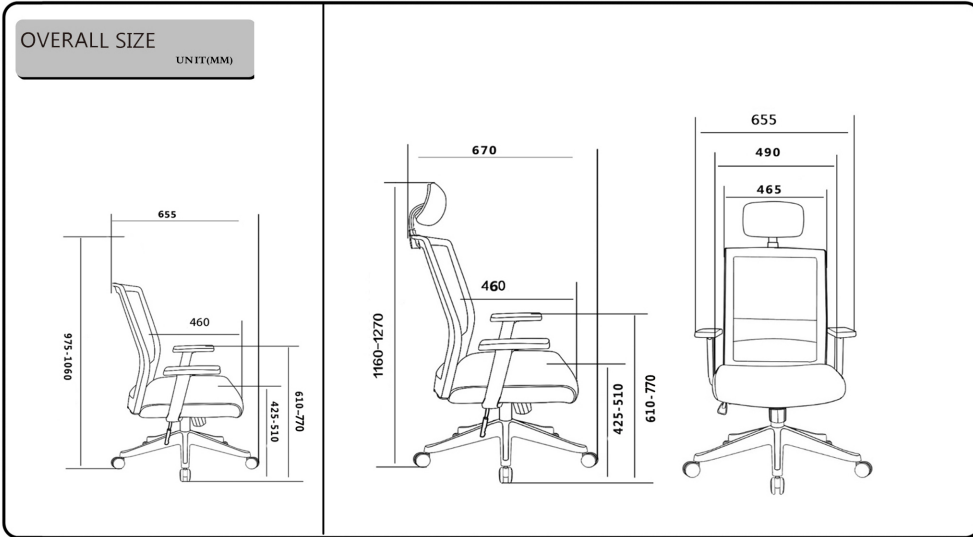


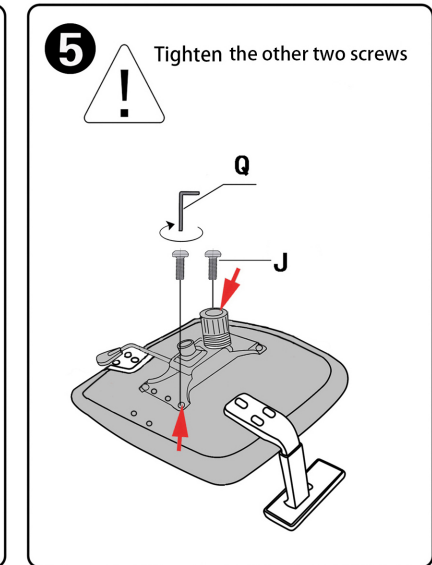
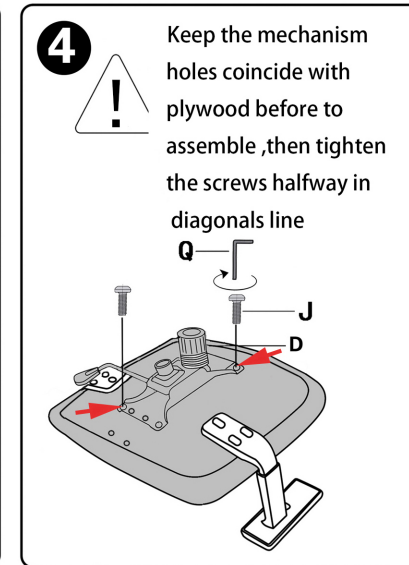
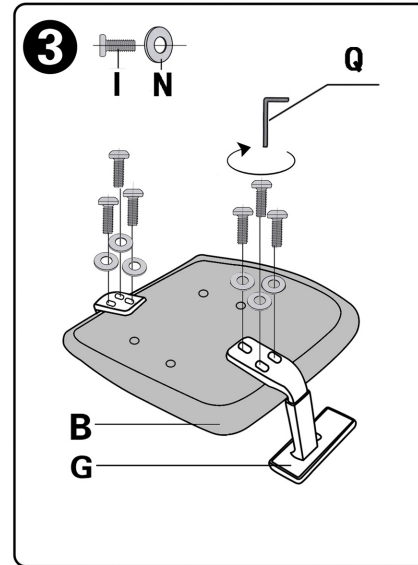
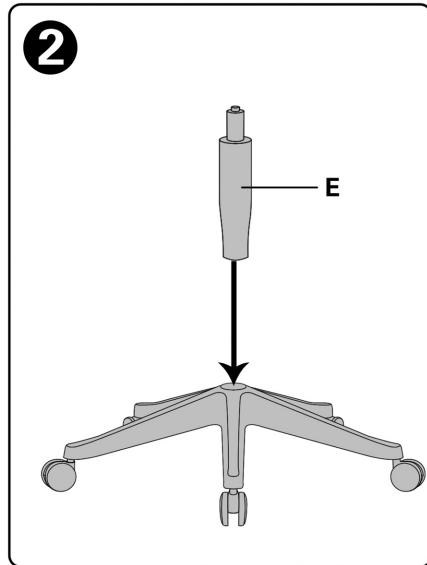
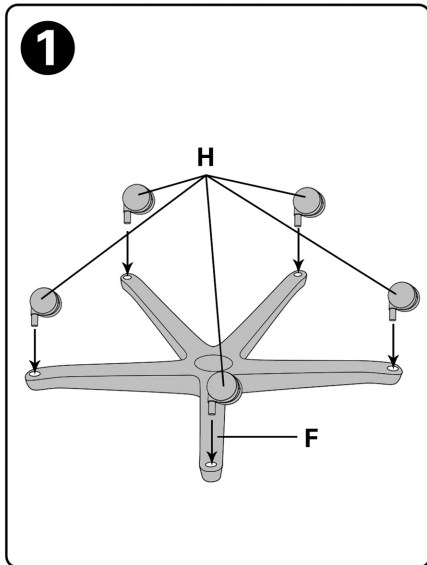
# QW-3005-B ASSEMBLY INSTRUCTION



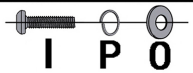
BEFORE USE AND ASSEMBLY THIS PRODUCT, PLEASE  
READ THIS INSTRUCTIONS CAREFULLY.



<b>A</b> 	<b>B</b> 	<b>H x 5</b> 	<b>D</b> 	<b>N</b> X6 (⌀6x14 x1.5MM) 	<b>C</b>  <small>(Note: this tool only for headrest)</small>
<b>E</b> 	<b>F</b> 	<b>G x 2</b> 		<b>O</b> X4 (⌀8x17x1.5MM) 	
				<b>P</b> X4 (M6) 	
				<b>Q</b> 	
				<b>I</b> X10+1 (M6x35MM) 	
				<b>J</b> X4+1 (M6x22MM) 	



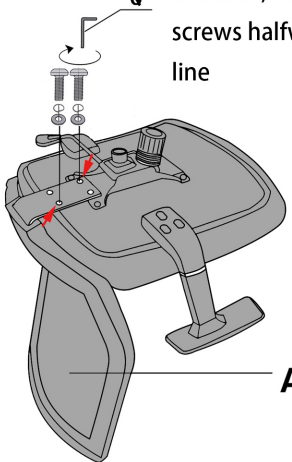
**6**



I P O

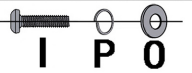
! Keep the metal bar holes coincide with plywood before to assemble the back, then tighten the screws halfway in diagonals line

q



A

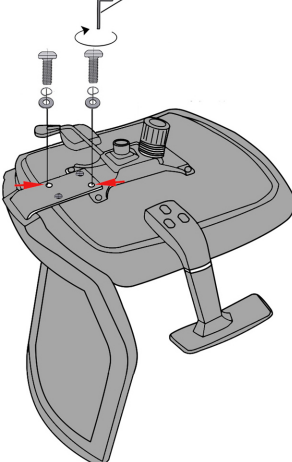
**7**



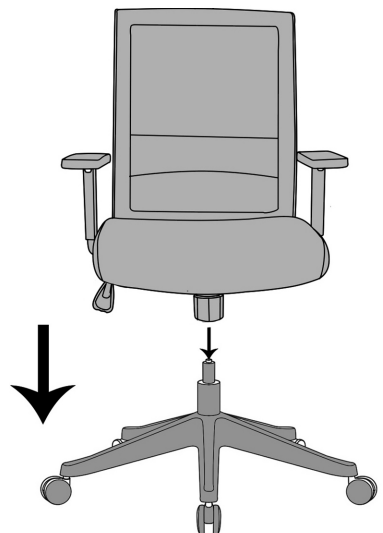
I P O

! Tighten the other two screws in metal bar

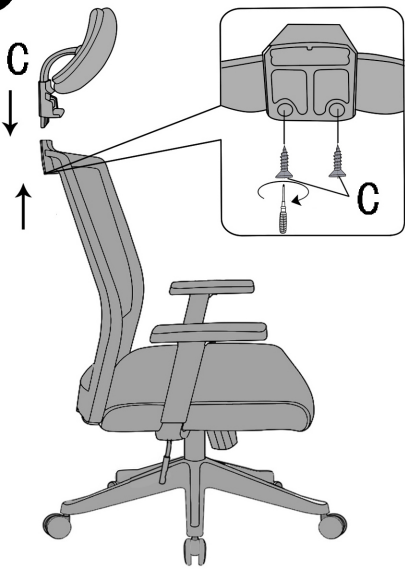
q



**8**

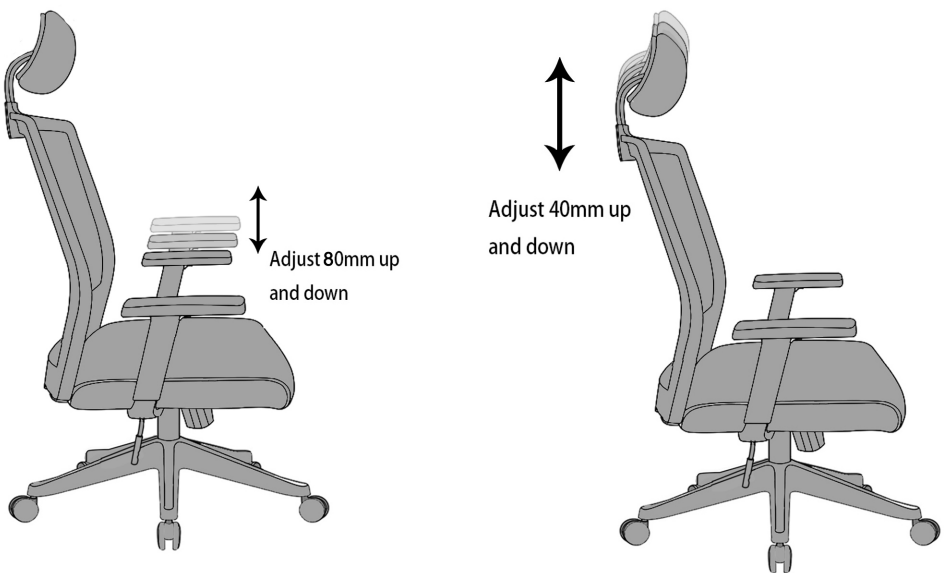


**9**



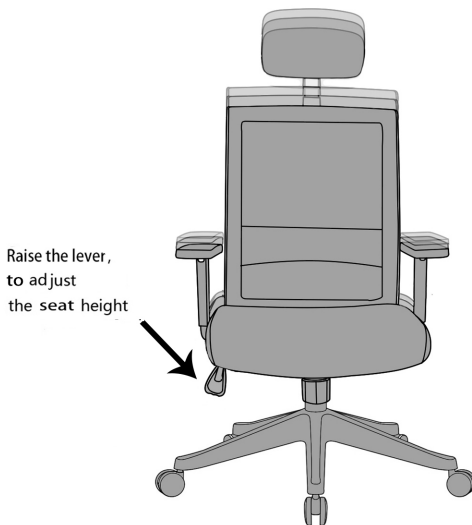
C

C



Adjust 80mm up and down

Adjust 40mm up and down



Raise the lever, to adjust the seat height

**WARNING**

FAILURE TO FOLLOW THESE INSTRUCTIONS MAY RESULT IN SERIOUS INJURY

1. THIS PRODUCT IS DESIGNED FOR SEATING ONLY . DO NOT STAND ON THIS PRODUCT. DO NOT USE IT AS A STEP LADDER
2. DO NOT USE THIS PRODUCT UNLESS ALL BOLTS AND PARTS ARE FIRMLY TIGHTENED.
3. IF ANY PARTS ARE MISSING, DAMAGED OR WORN , STOP USING THIS PRODUCT. REPAIR THE PRODUCT WITH THE REPLACEMENT PARTS FROM MANUFACTURER.
4. DO NOT SIT ON THE ARMREST OF THIS PRODUCT.
5. THIS PRODUCT IS DESIGNED FOR ONE PERSON SITTING AT A TIME .
6. KEEP OUT OF REACH OF CHILDREN UNDER THE AGE OF 10 UNLESS ASSISTANCE FROM AN ADULT IS PROVIDED.
7. UNLESS ASSISTANCE FROM AN ADULT IS PROVIDED.
8. THIS CHAIR HAS BEEN TESTED AND APPROVED FOR USERS WEIGHING UP TO 275LBS(125KG).IT IS NOT RECOMMENDED FOR USE BY USERS WEIGHING MORE THAN 275LBS(125KG)