

Grab Bar Fitting Instructions

Things to check before you start

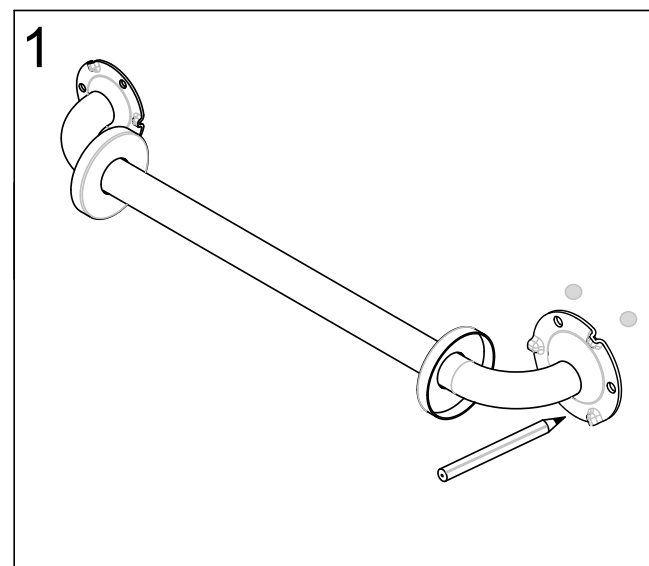
- ✓ Check to make sure you have all of the parts listed.

Safety

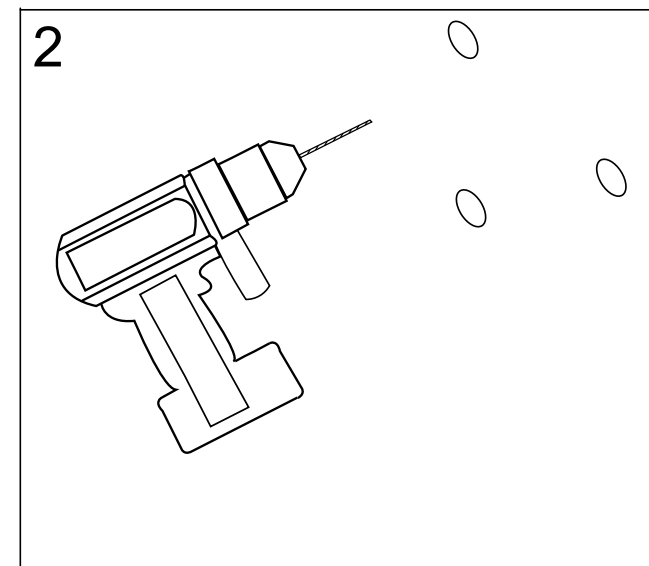
- ✓ **CAUTION: DO NOT** overtighten the fixings it may damage the product.
- ✓ **CAUTION:** Always ensure the product is securely installed before use.
- ✓ Failure to follow these instructions may result in personal injury, damage to the product and property damage.

Care Instructions

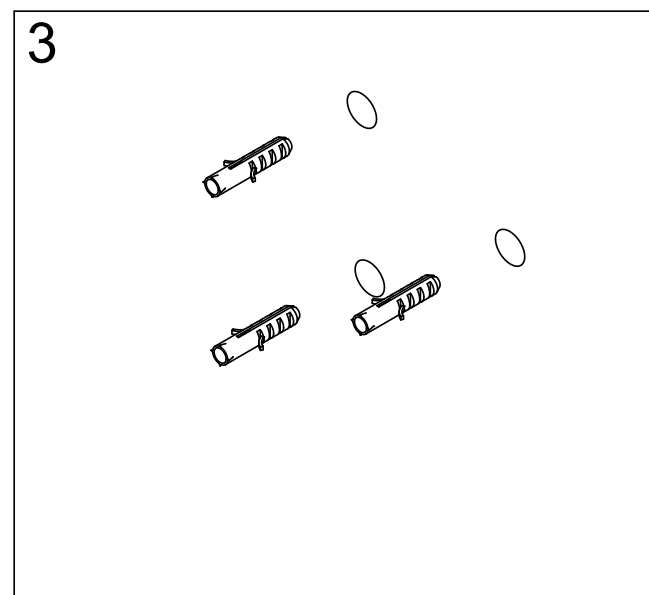
- 1 Use warm soapy water and a soft damp cloth to clean the surface of the product. Wipe dry with a clean cloth.
- 2 Never use any solvents, scourers, abrasives, bleach, acids, strong detergents, aggressive chemical cleaners or solvent-type cleaning solutions on the product.



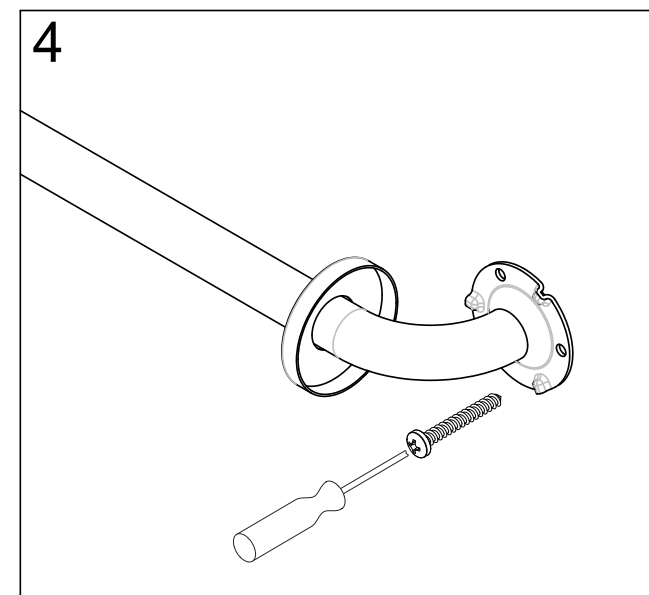
1 Mark with pencil placement of drill holes



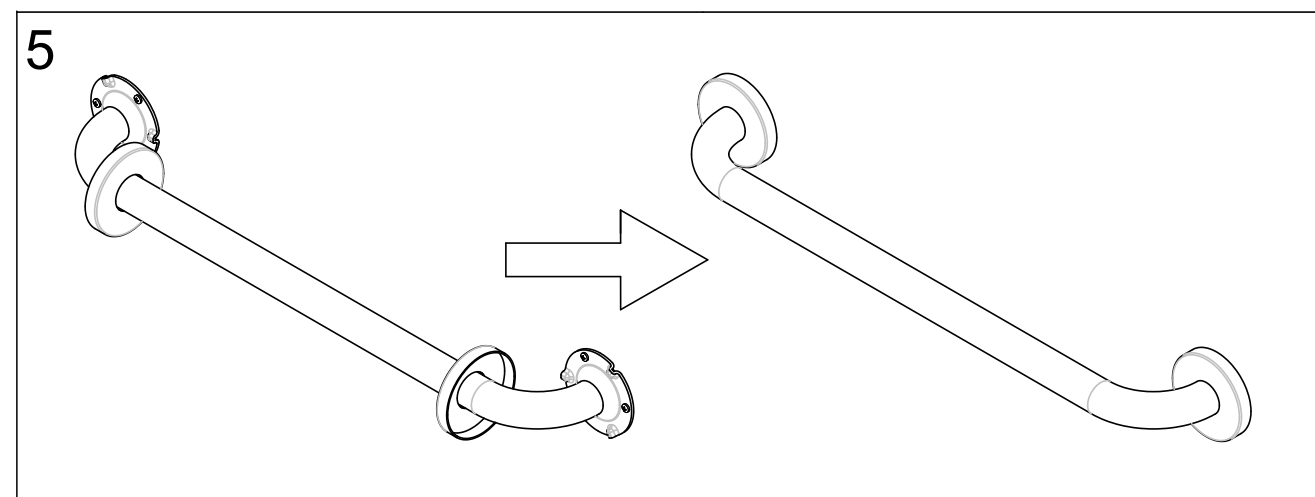
2 Drill holes in desired location



3 Insert wall plugs supplied into drill holes





4 Align grab bar with drilled holes and secure tightly to wall using screws supplied


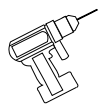



5 After fixing, slide covers to end of grab bar to conceal fixing plates. Push into place to secure

Parts List

-  Wall plugs x6
-  Screws x6

Tools Required

-  Pencil
-  Drill
-  Screwdriver



Aqualona Products Ltd

The Transmitting House, Great North Road,
Brookmans Park, Herts
AL9 6NE
T: +44 (0)1707 641 929 F: +44 (0)1707 642 948
www.aqualona.com