

# Duroplast Toilet Seat Fitting Instructions

## Things to check before you start

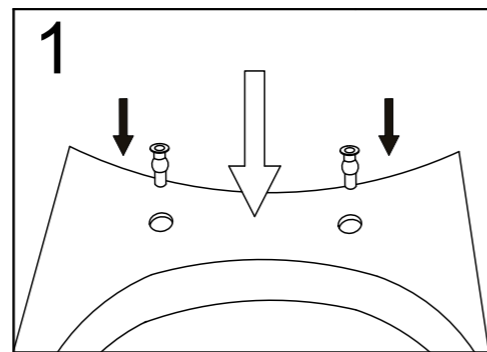
- ✓ Check to make sure you have all of the parts listed.

## Safety

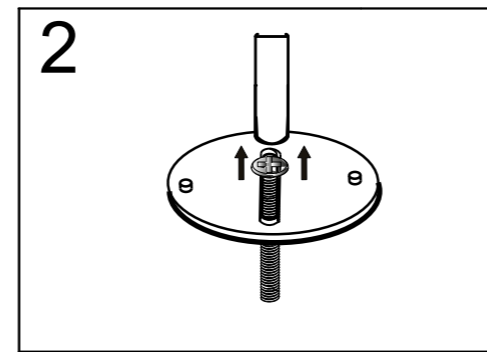
- ✓ **CAUTION: DO NOT** overtighten the fixings it may damage the product.
- ✓ **CAUTION:** Always ensure the product is securely installed before use.
- ✓ Failure to follow these instructions may result in personal injury, damage to the product and property damage.

## Care Instructions

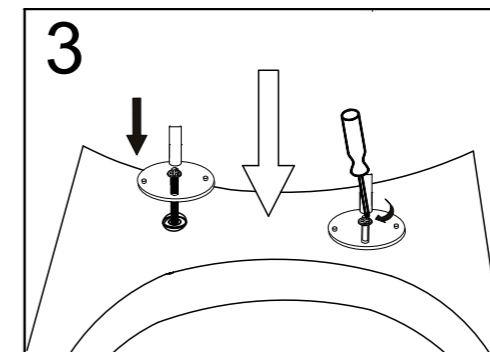
- 1 Use warm soapy water and a soft damp cloth to clean the surface of the product. Wipe dry with a clean cloth.
- 2 Never use any solvents, scourers, abrasives, bleach, acids, strong detergents, aggressive chemical cleaners or solvent-type cleaning solutions on the product.



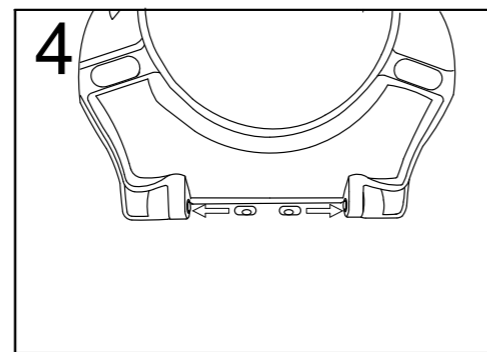
1 Push the screw plugs in to the holes on the toilet pan.



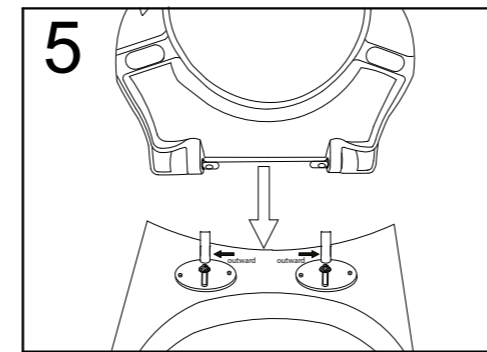
2 Place the rubber seal onto the hinges making sure the opening of the seal is towards the hinge. Then insert screw.



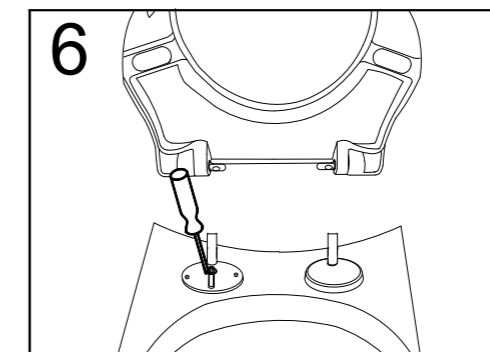
3 Insert the screw and tighten the hinges to the plugs using a screw driver. Ensure to leave them loose enough for further adjustment.



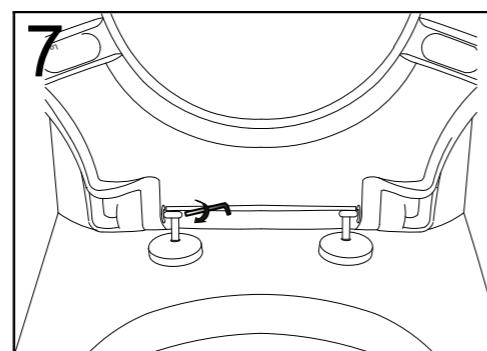
4 Insert hinge pins to seat.



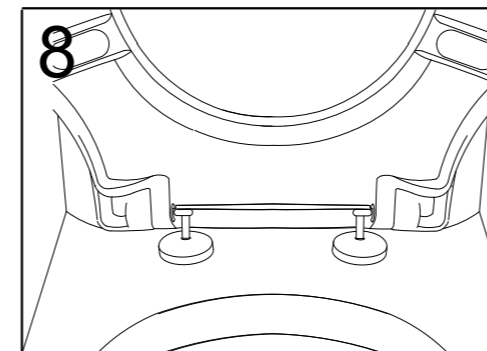
5 Loosely fit the seat to the hinges and align the seat with pan. After aligning, push the hinges outwards to prevent the seat from wobbling when secure.



6 Remove seat. Using a screw driver, tighten screws to pan making sure not to move them. Then place hinge caps over hinges.



7 Tighten the hinge pins to the hinges using an allen key.



8 Rock toilet seat back and forth to ensure seat is secure.

## Parts List

Hinge Pins x2



Hinge x2



Rubber Seal x2



Hinge Cap x2



Screws x2



Screw Plug x2

## Tools Required



Screwdriver



Allan Key



Aqualona Products Ltd

The Transmitting House, Great North Road,  
Brookmans Park, Herts

AL9 6NE

T: +44 (0)1707 641 929 F: +44 (0)1707 642 948

www.aqualona.com