

Bath Handle Fitting Instructions

Things to check before you start

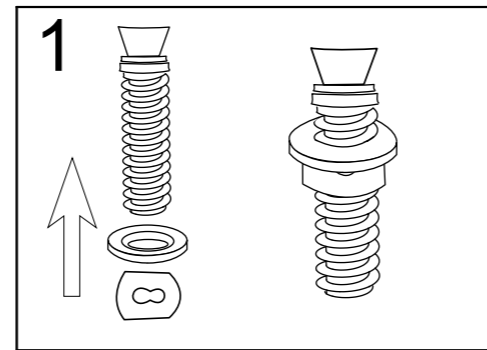
- ✓ Check to make sure you have all of the parts listed.

Safety

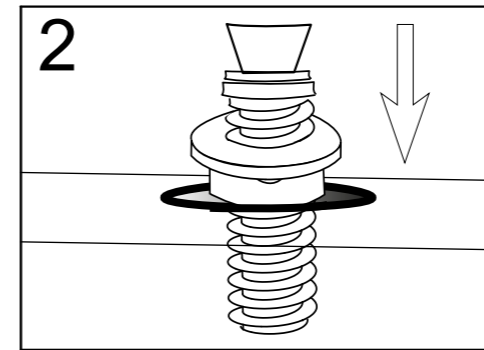
- ✓ **CAUTION: DO NOT** overtighten the fixings it may damage the product.
- ✓ **CAUTION:** Always ensure the product is securely installed before use.
- ✓ Failure to follow these instructions may result in personal injury, damage to the product and property damage.

Care Instructions

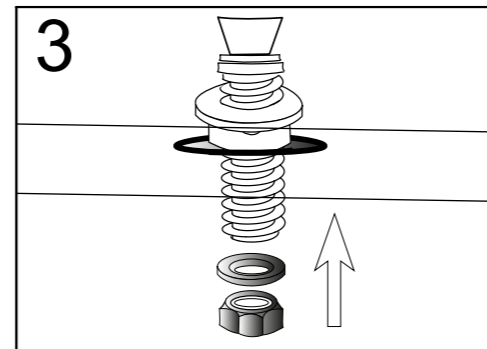
- 1 Use warm soapy water and a soft damp cloth to clean the surface of the product. Wipe dry with a clean cloth.
- 2 Never use any solvents, scourers, abrasives, bleach, acids, strong detergents, aggressive chemical cleaners or solvent-type cleaning solutions on the product.



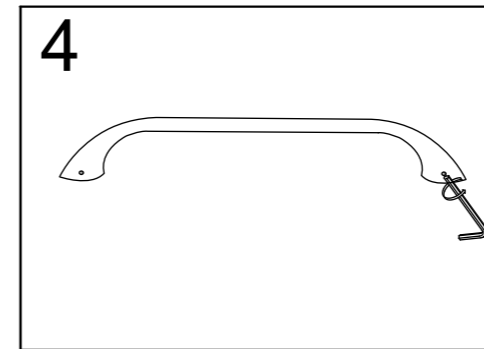
1 Push plastic washer and seal up towards fixing screw



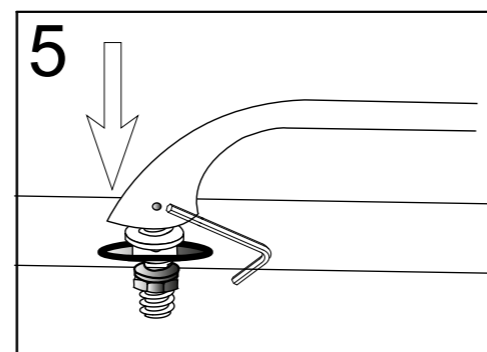
2 Position fixing screw through hole in bath



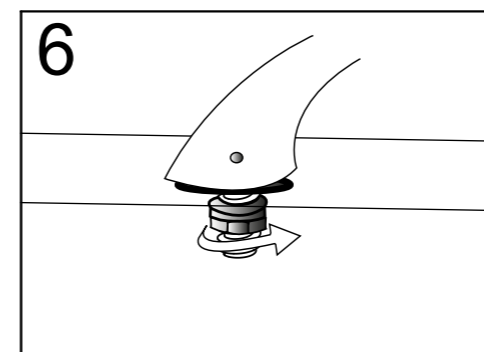
3 Place metal washer and nut at end of fixing screw and loosely tighten to hold fixing screw in place



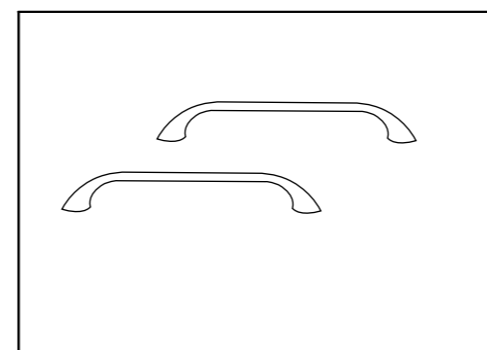
4 Unscrew fitting screw in handle using allen key provided










5 Push handle tightly onto fixing screw and secure using allen key



6 Tighten nut to keep handle secure in place



Parts List

-  Handle x 2
-  Fixing Screws x4
-  Allen key x1
-  Plastic washer x4
-  Seal x4
-  Metal washer x4
-  Nut x4