

Extra Long Grab Bar Fitting Instructions

Things to check before you start

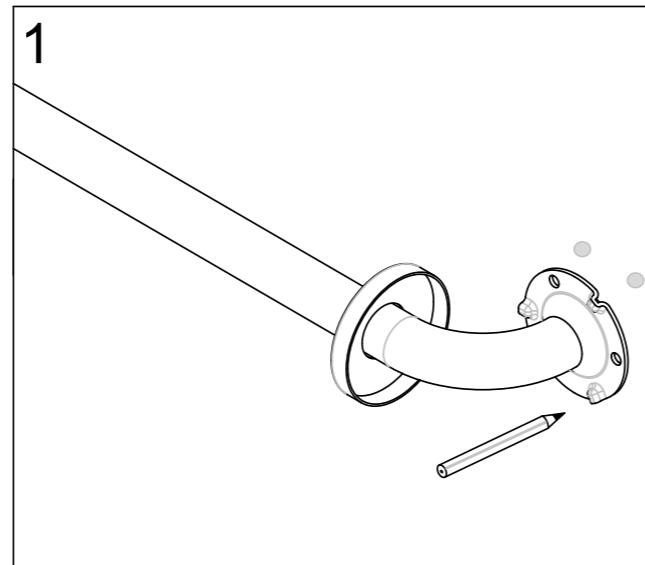
- ✓ Check to make sure you have all of the parts listed.

Safety

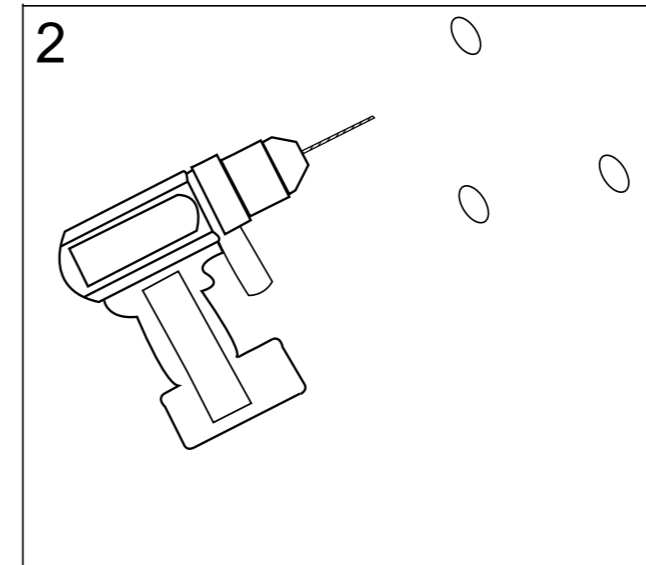
- ✓ CAUTION: DO NOT overtighten the fixings it may damage the product.
- ✓ CAUTION: Always ensure the product is securely installed before use.
- ✓ Failure to follow these instructions may result in personal injury, damage to the product and property damage.

Care Instructions

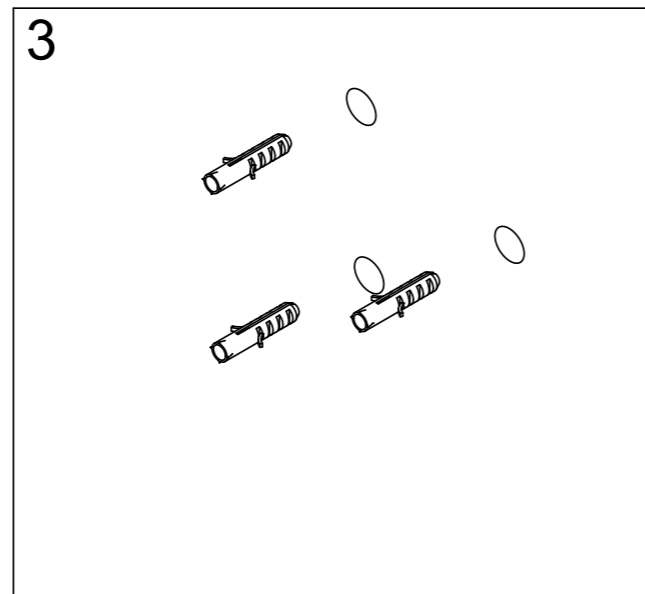
- 1 Use warm soapy water and a soft damp cloth to clean the surface of the product. Wipe dry with a clean cloth.
- 2 Never use any solvents, scourers, abrasives, bleach, acids, strong detergents, aggressive chemical cleaners or solvent-type cleaning solutions on the product.



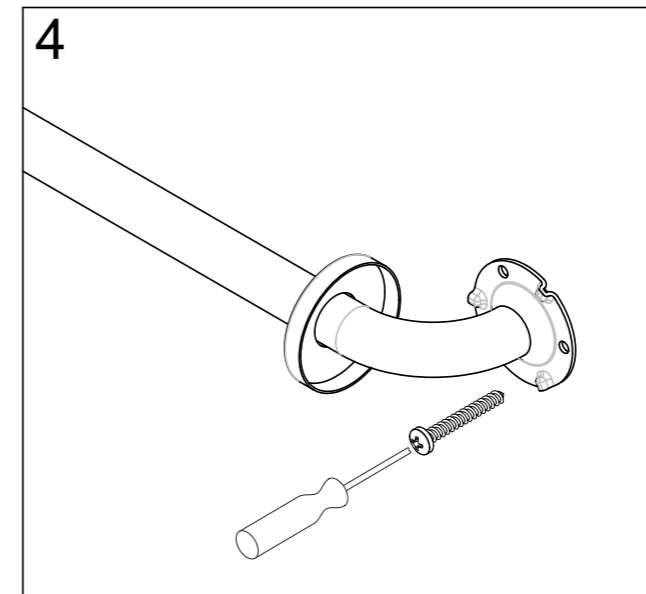
Mark with pencil placement of drill holes



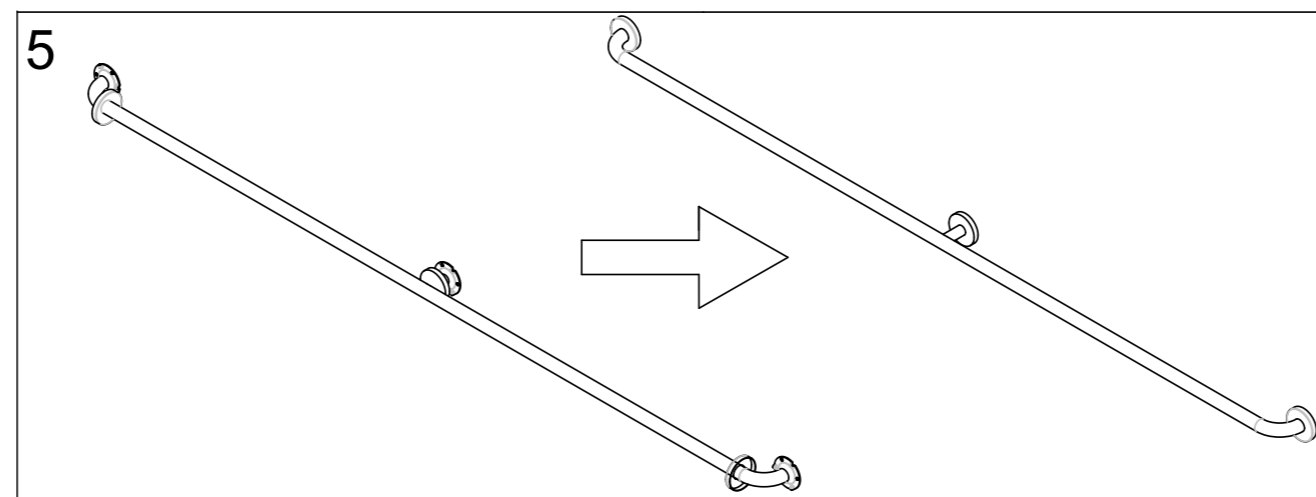
Drill holes in desired location



Insert wall plugs supplied into drill holes



Align grab bar with drilled holes and secure tightly to wall using screws supplied

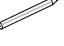
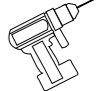



After fixing, slide covers to end of grab bar to conceal fixing plates. Push into place to secure

Parts List

-  Wall plugs x9
-  Screws x9

Tools Required

-  Pencil
-  Drill
-  Screwdriver



Aqualona Products Ltd

The Transmitting House, Great North Road,
Brookmans Park, Herts

AL9 6NE

T: +44 (0)1707 641 929 F: +44 (0)1707 642 948

www.aqualona.com