

# Fixed Corner Shelf Fitting Instructions

## Things to check before you start

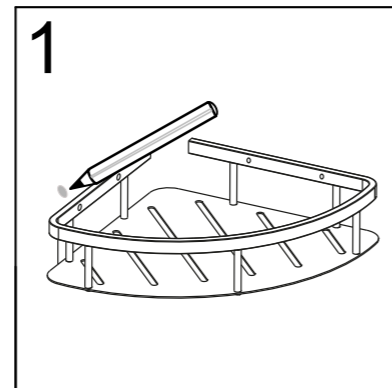
- ✓ Check to make sure you have all of the parts listed.

## Safety

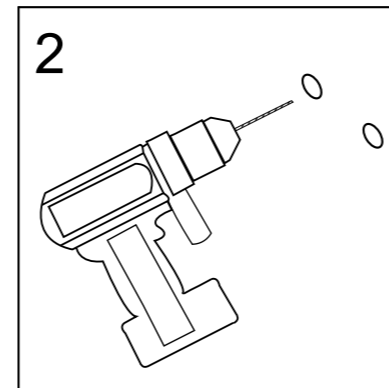
- ✓ **CAUTION: DO NOT** overtighten the fixings it may damage the product.
- ✓ **CAUTION:** Always ensure the product is securely installed before use.
- ✓ Failure to follow these instructions may result in personal injury, damage to the product and property damage.

## Care Instructions

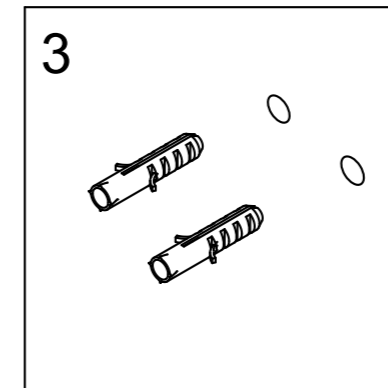
- 1 Use warm soapy water and a soft damp cloth to clean the surface of the product. Wipe dry with a clean cloth.
- 2 Never use any solvents, scourers, abrasives, bleach, acids, strong detergents, aggressive chemical cleaners or solvent-type cleaning solutions on the product.



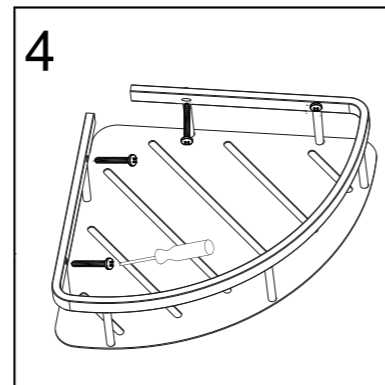
1 Mark with pencil placement of drill holes



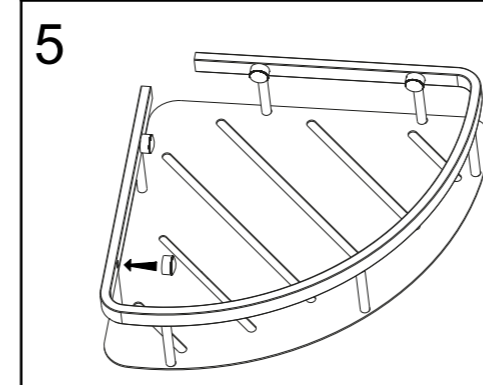
2 Drill holes in desired location



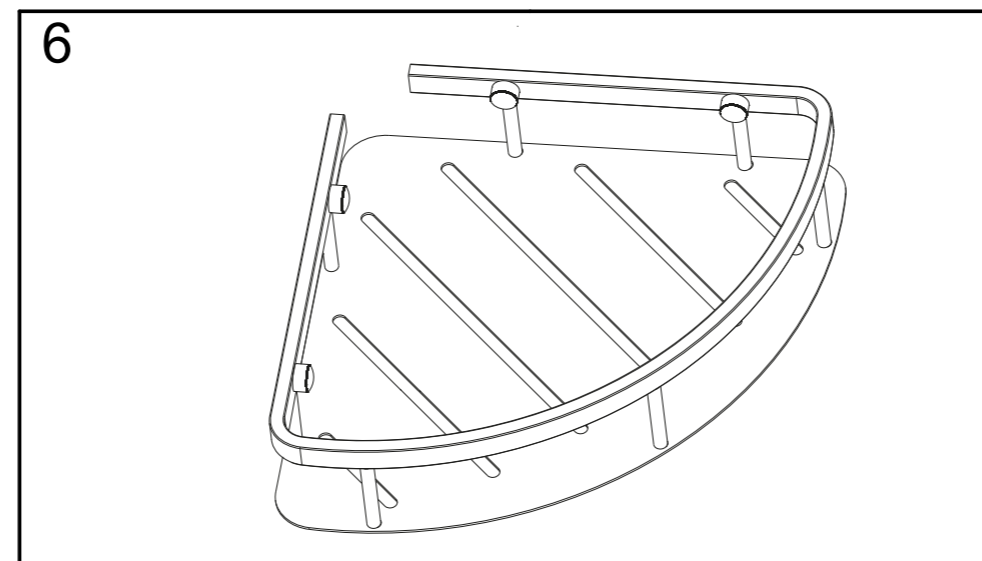
3 Insert wall plugs supplied into drill holes



4 Align basket with drilled holes and secure tightly to wall using screws supplied






5 After fixing, push on screw covers tightly


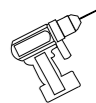



6

## Parts List

-  Wall plugs x4
-  Screws x4
-  Screw covers x4

## Tools Required

-  Pencil
-  Drill
-  Screwdriver



**Aqualona Products Ltd**

The Transmitting House, Great North Road,  
Brookmans Park, Herts

AL9 6NE

T: +44 (0)1707 641 929 F: +44 (0)1707 642 948

[www.aqualona.com](http://www.aqualona.com)