

D Shape Towel Rail Fitting Instructions



Things to check before you start

- ✓ Check to make sure you have all of the parts listed.

Safety

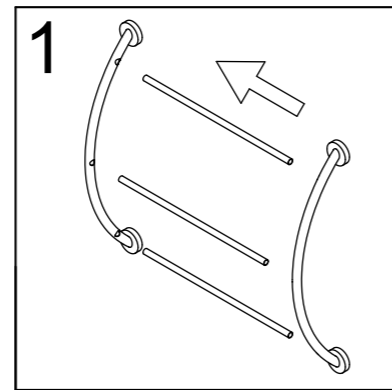
- ✓ **CAUTION: DO NOT** overtighten the fixings it may damage the product.
- ✓ **CAUTION:** Always ensure the product is securely installed before use.
- ✓ Failure to follow these instructions may result in personal injury, damage to the product and property damage.

Care Instructions

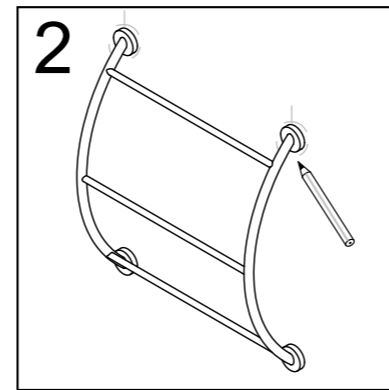
- 1 Use warm soapy water and a soft damp cloth to clean the surface of the product. Wipe dry with a clean cloth.
- 2 Never use any solvents, scourers, abrasives, bleach, acids, strong detergents, aggressive chemical cleaners or solvent-type cleaning solutions on the product.

Tools Required

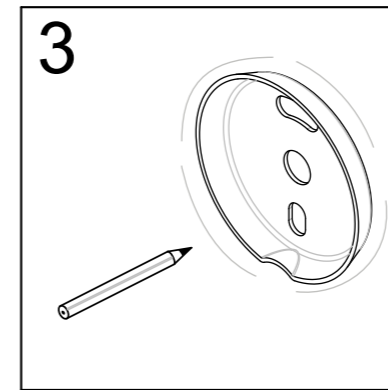
- Pencil
- Drill
- Screwdriver



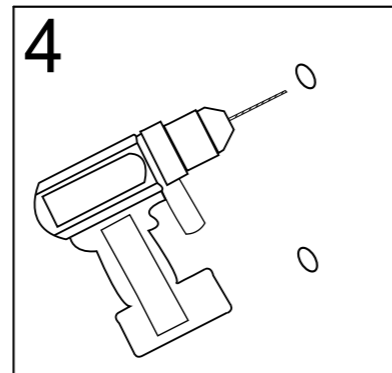
1 Firmly Insert 3 rails into side bars as shown



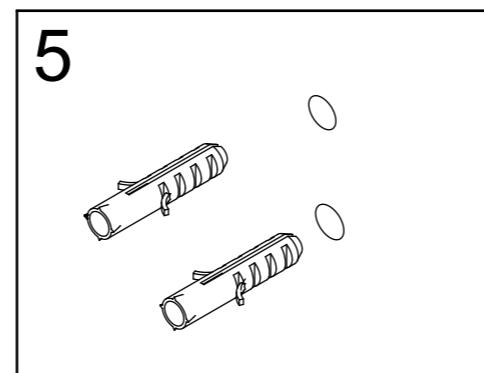
2 Mark position of towel rail



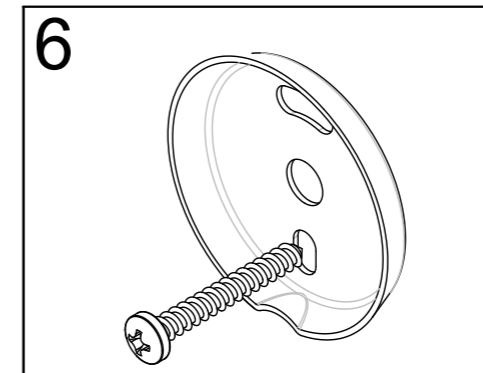
3 Mark position of drill holes with pencil



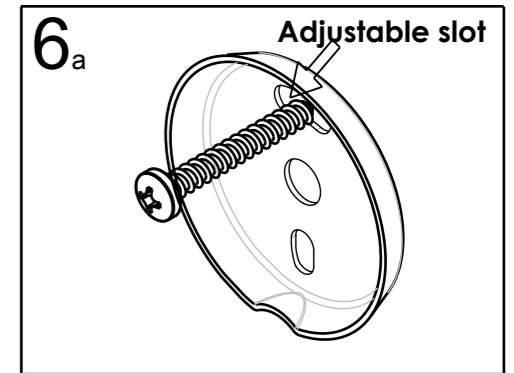
4 Drill holes in desired location



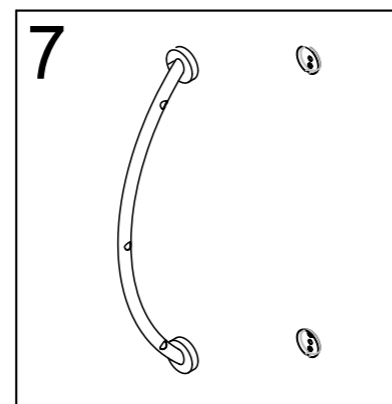
5 Insert wall plugs supplied into drill holes



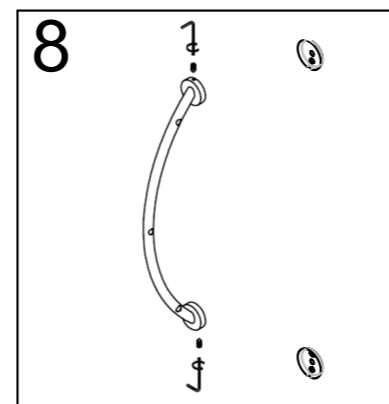
6 Align fixing bracket with drill holes and secure tightly to wall using screws provided



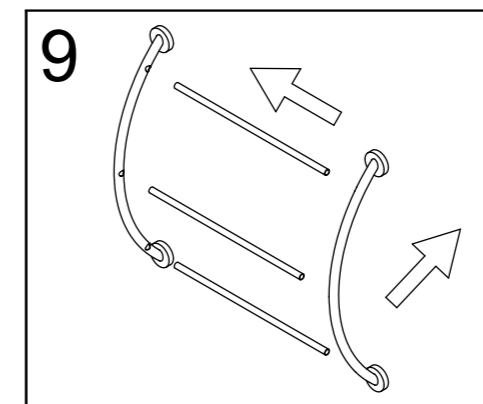
6a Screw should be centred on adjustable slot



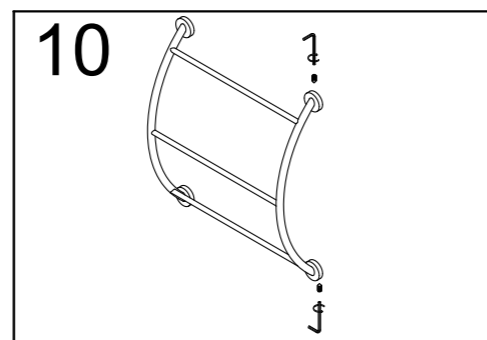
7 Push side bar into fixing bracket firmly



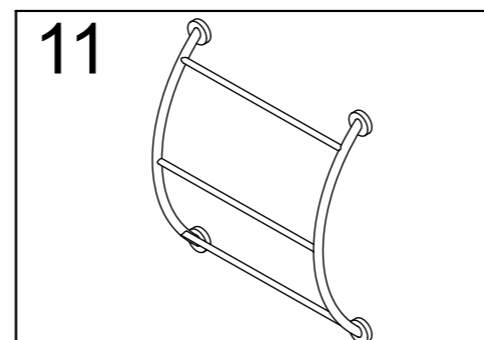
8 Tighten fixing screws using allen key supplied



9 Securely insert 3 rails into the left side bar. Connect right side bar and firmly push together to make tight fit. Push together tightly then fix firmly onto fixing brackets



10 Tighten fixing screws using allen key supplied. Use adjustable slot to adjust fit where required.



11

Parts List

- Fixing bracket x4
- Screws x8
- Side bar x2
- Fixing screw x4
- Rails x3
- Allen key x1
- Wall plugs x8



Aqualona Products Ltd

The Transmitting House, Great North Road,
Brookmans Park, Herts
AL9 6NE

T: +44 (0)1707 641 929 F: +44 (0)1707 642 948

www.aqualona.com