

Toilet Roll Holder Fitting Instructions

Things to check before you start

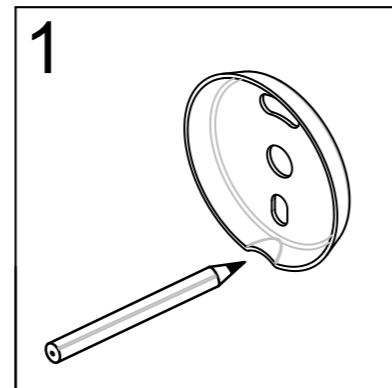
- ✓ Check to make sure you have all of the parts listed.

Safety

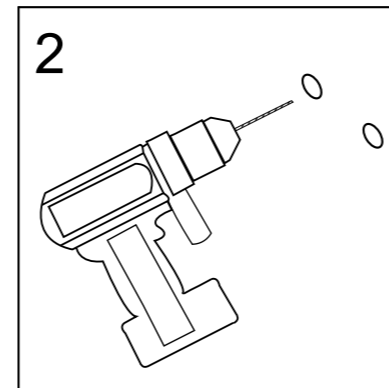
- ✓ **CAUTION: DO NOT** overtighten the fixings it may damage the product.
- ✓ **CAUTION:** Always ensure the product is securely installed before use.
- ✓ Failure to follow these instructions may result in personal injury, damage to the product and property damage.

Care Instructions

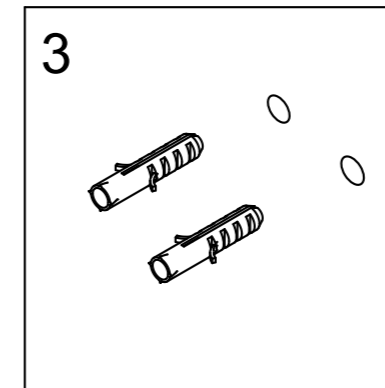
- 1 Use warm soapy water and a soft damp cloth to clean the surface of the product. Wipe dry with a clean cloth.
- 2 Never use any solvents, scourers, abrasives, bleach, acids, strong detergents, aggressive chemical cleaners or solvent-type cleaning solutions on the product.



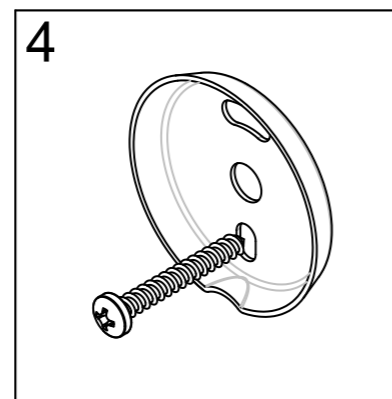
1 Mark with pencil placement of drill holes



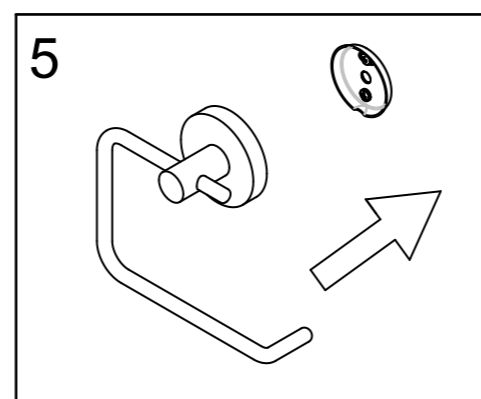
2 Drill holes in desired location



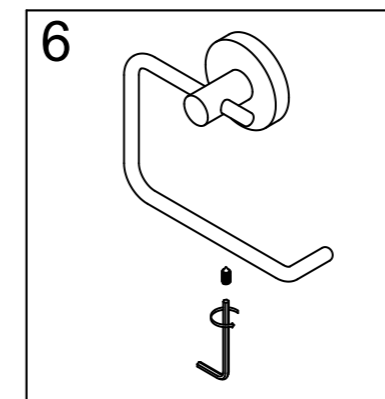
3 Insert wall plugs supplied into drill holes



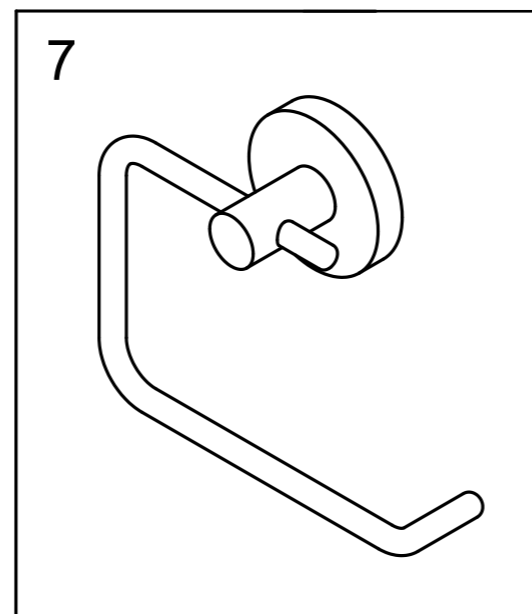
4 Align fixing plate with drilled holes and secure tightly to wall using screws supplied






5 After fixing, place bracket covers onto bracket and push to secure




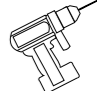

6 Attach shower head to top of riser rail and hose to bottom of rail as shown. Hose to then be connected to thermostatic control



Parts List

-  Wall plugs x2
-  Screws x2
-  Fixing plate x1

Tools Required

-  Pencil
-  Drill
-  Screwdriver