

Towel Rail Fitting Instructions

Things to check before you start

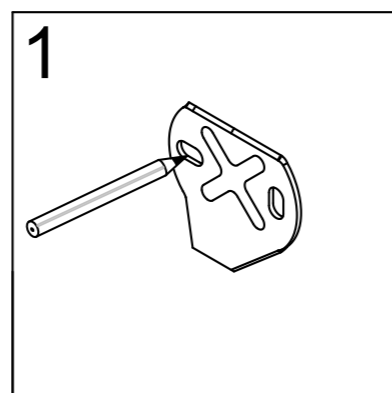
- ✓ Check to make sure you have all of the parts listed.

Safety

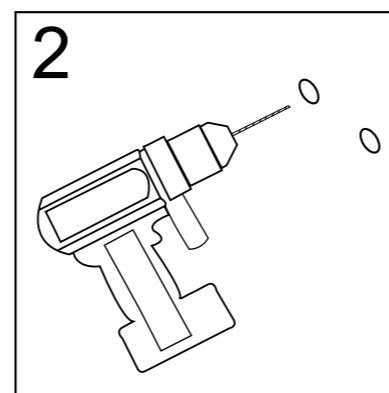
- ✓ **CAUTION: DO NOT** overtighten the fixings it may damage the product.
- ✓ **CAUTION:** Always ensure the product is securely installed before use.
- ✓ Failure to follow these instructions may result in personal injury, damage to the product and property damage.

Care Instructions

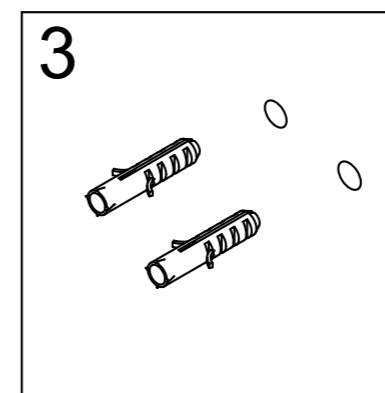
- 1 Use warm soapy water and a soft damp cloth to clean the surface of the product. Wipe dry with a clean cloth.
- 2 Never use any solvents, scourers, abrasives, bleach, acids, strong detergents, aggressive chemical cleaners or solvent-type cleaning solutions on the product.



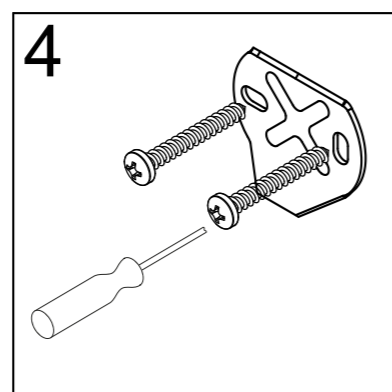
1 Mark with pencil placement of drill holes



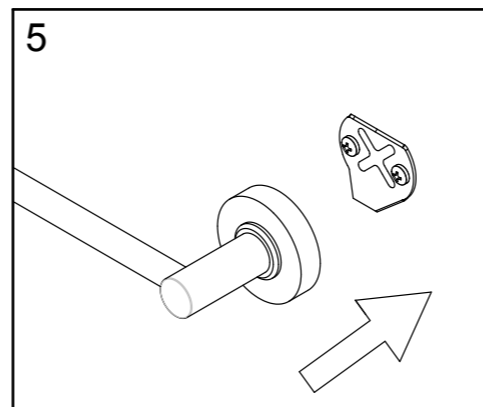
2 Drill holes in desired location



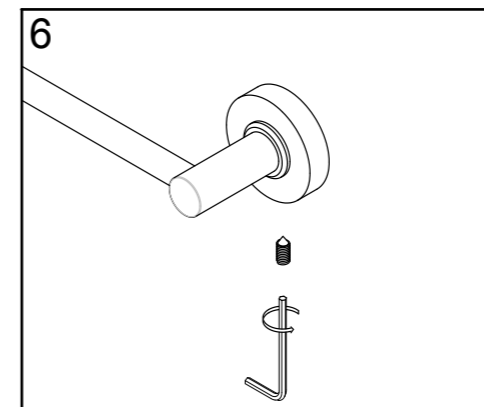
3 Insert wall plugs supplied into drill holes



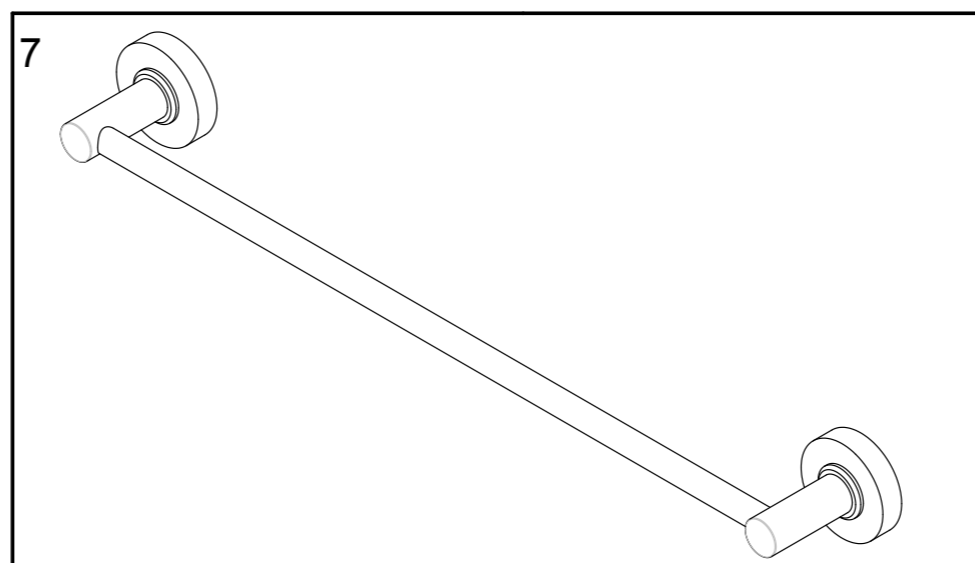
4 Align fixing plate with drilled holes and secure tightly to wall using screws supplied








5 Align towel rail with fixing bracket and secure




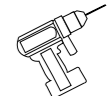

6 Tighten fixing screw with allen key supplied



Parts List

-  Fixing bracket x2
-  Wall plugs x4
-  Screws x4
-  Fixing screw x2
-  Allen key x1

Tools Required

-  Pencil
-  Drill
-  Screwdriver