

# Robe Hook Fitting Instructions

## Things to check before you start

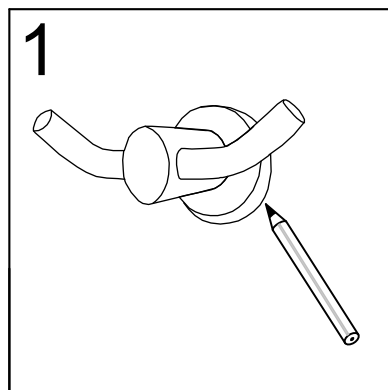
- ✓ Check to make sure you have all of the parts listed.

## Safety

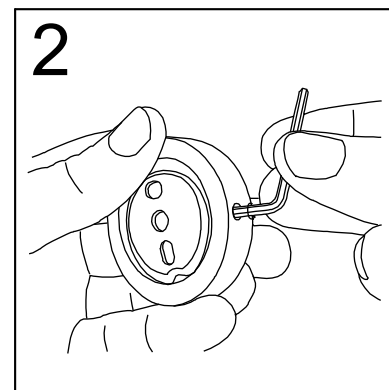
- ✓ **CAUTION: DO NOT** overtighten the fixings it may damage the product.
- ✓ **CAUTION:** Always ensure the product is securely installed before use.
- ✓ Failure to follow these instructions may result in personal injury, damage to the product and property damage.

## Care Instructions

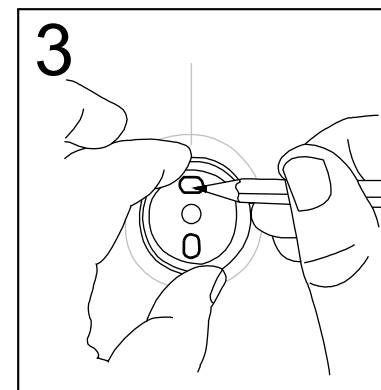
- 1 Use warm soapy water and a soft damp cloth to clean the surface of the product. Wipe dry with a clean cloth.
- 2 Never use any solvents, scourers, abrasives, bleach, acids, strong detergents, aggressive chemical cleaners or solvent-type cleaning solutions on the product.



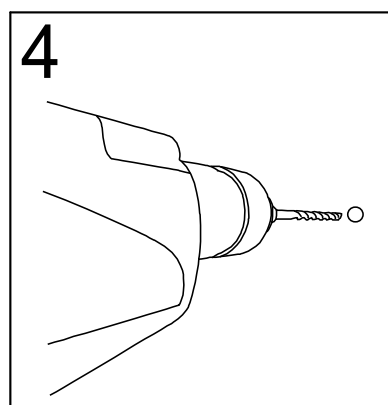
1 Mark position of hook with pencil



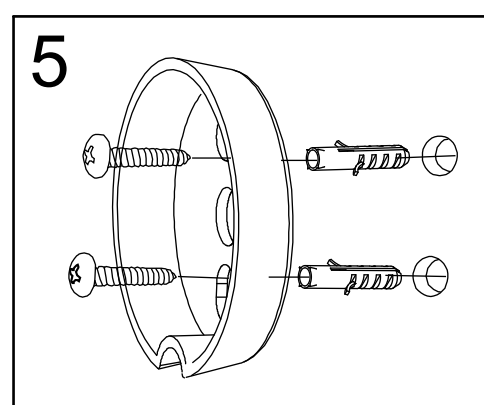
2 Using allen key supplied unscrew fixing bracket from cover



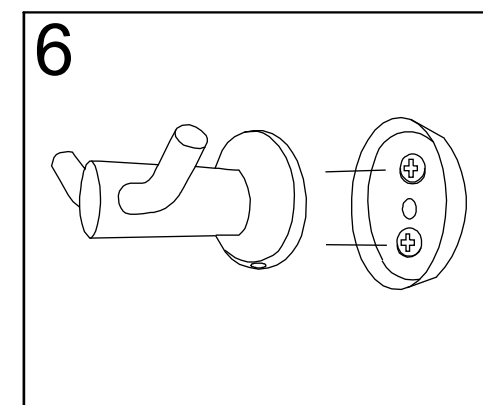
3 Mark position of drill holes with pencil



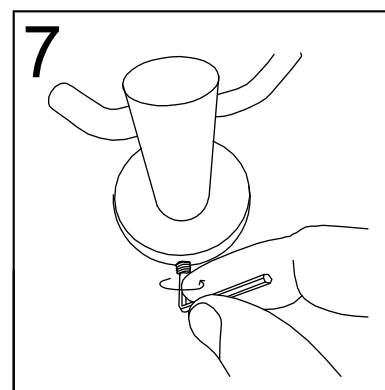
4 Drill holes in desired location



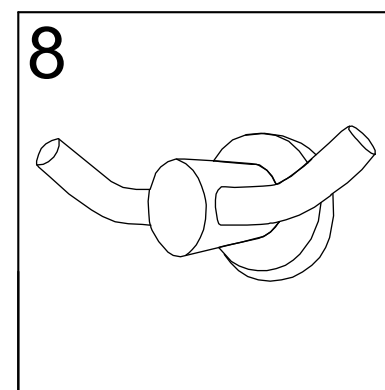
5 Insert wall plugs supplied into drill holes. Align bracket with drilled holes and secure tightly to wall using screws supplied






6 Push hook firmly onto bracket






7 Tighten fixing screw with allen key



## Parts List

-  Wall plugs x2
-  Screws x2
-  Fixing screw x1
-  Allen key x1

## Tools Required

-  Pencil
-  Drill
-  Screwdriver