



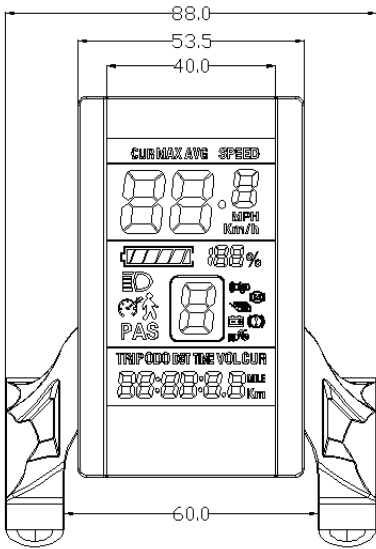
USB



FLAT DESIGN



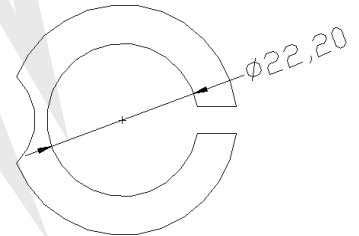
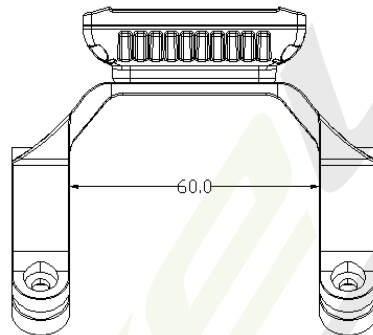
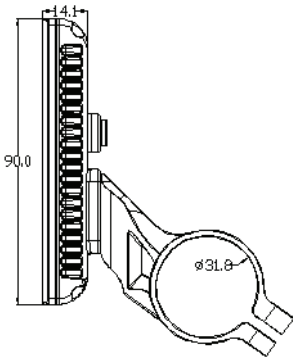
LCD S830 Manual Control Panel User Manual The Latest Version 2018



1. Exterior Parameters

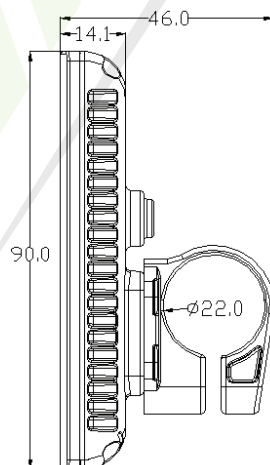
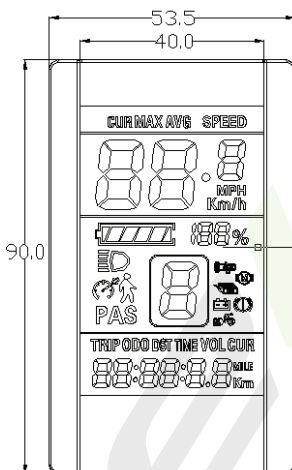
Casing Material: ABS

Display Material: High Hardness Acrylic (the same hardness value as tempered glass).



Converter Ring ϕ 22.2mm

2. Single Supporter



2. Operating Voltage and Connections

a. Operating Voltage: DC36v/48V Compatible (set by the control panel).

b. Connections:

Waterproof Connector Female.

3. Functions

a. Display

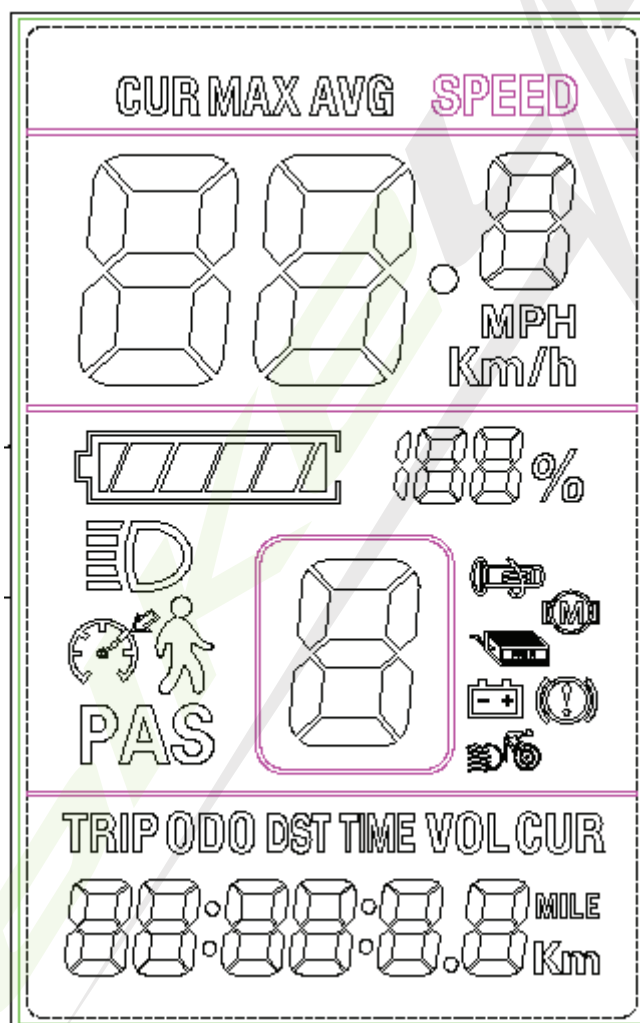
Speed Display, Motor Power Ratio Display, Battery Level Display, Error Indication, Total Mileage, Single Mileage, Single Running Time Light Signal

b. Control and Settings


Power Switch, 6km/h Inching Control, Wheel Diameter Setting, Top Speed Setting, Time Setting for Auto-Hibernation, Backlight Brightness Setting, Voltage Level Setting

c. Communications Protocol: UART

Display Readings (display at start for 1 second)



3.1 Light 

3.2 Battery Level  100%

3.3 Multi-Functions Display

Total Mileage: ODO
 Single Mileage: TRIP
 Single Running Time: Time
 Current Voltage VOL
 Operating Current: CUR
 DST: Unspecified



3.4 Vehicle Power PAS Lever

5 Levers Pedal Assist System



3.5 Speed Display

Maximum Speed: MAX
 Average Speed: AVG
 Measuring Unit: MPH or KM/H



The panel will calculate the actual travelling speed based on the wheel diameter and signal data (number of magnet steel is needed for Hall motors).

3.6 Vehicle Status

- | | | | |
|--|----------------------------|--|--------------------------|
| | 6km/h Walk and Push | | Real-Time Cruise |
| | Powered Ride | | Low Battery |
| | Brake | | Controller Failur |
| | Motor Failure | | Handlebar Failure |

3.7 Settings

P00: it is Reset all parameter Function:

Change the value as 10, then short press the "M" key, the screen will Display all segment, then all parameter will reset to the original value

P01: Backlight Brightness (1: darkest; 3: brightest)

P02: Mileage Unit (0: KM; 1: MILE)

P03: Voltage Class: 24V / 36V / 48V

P04: Hibernation Time (0: never, other figures refer to the hibernation time)

Unit: Minute

P05: Power Gear – 0/3 Gear Mode: Gear

1/5 Gear Mode: Gear

P06: Wheel Diameter Unit: inch Precision: 0.1

P07: Magnet Steel Number for Speed Test Range: 1-100

P08: Speed Limit

Range: 0-50km/h, parameter 50 indicates no speed limit.

P09: Zero / Non-zero Start Setting:

0: Zero Start

1: Non-zero Start

P10: Drive Mode Setting

0: Power Drive – The specific gear of the assist drive decides the assist power value. In this status the handlebar does not work.

1: Electric Drive – The vehicle is driven by the handlebar. In this status the power gear does not work.

2: Power Drive + Electric Drive – Electric drive does not work in zero-startstatus.

P12: Assist Power Intensity Range: 0-5

P13: Power Magnet Steel Number:

P16: ODO Zero-Out: Long press the upper key for 5 seconds and ODO will zero out.

4. Keys

Arrangement of keys on the panel:



Introduction of Keys

Key operations involve short press, long press and long press of combination keys. Short press is used for short/frequent operations as:

1. Short press the UP or Down Button   to change assist power/speed during riding.

2. Short press this key  to switch the readings in the multi-function display section.

Long press on a single key is used to switch mode/on/off status.

Long press on combination keys to set parameters, which can avoid misoperations (short press on combination keys is disabled, for it's easy to induce misoperation and hard to manipulate).

Detailed Instructions

1. Change Assist Power/ Electric Gear In assist power mode

a. Short press  assist power +1.

b. Short press  assist power -1.


2. Switch Speed Display

Long press  +  to switch speed display type.

3. Enable / Disable 6km/h cruise, set real-time cruise and turn on/off the lights

When the vehicle is parked, long press  to enter 6km/h cruise mode.

When the vehicle is travelling, long press  to enter real-time cruise mode.

Long press  or Press Throttle to exit the cruise mode when the vehicle is in cruise mode.

Long press  to turn on/off backlight

4. Turn on/off the LCD Panel

When the display panel is operating, long press  and it will be turn off, otherwise it will be turned on.

5. Switch Displayed Readings in Multi-Functions Section

Short press  to switch readings shown in the multi-functions section.

6. Set Parameters

Long press  +  to enter the setting interface.

Customizable parameters include:

Wheel Diameter (unit: inch);

Magnet Steel Number;

Backlight Brightness;

Low Voltage Threshold (refer to setting: P01-P14)

In the setting interface, short press  or  to add/minus value to the parameter, which will blink after modified. After selecting the parameter that needs to be set,

I. a. Long press  to save the current value, and the parameter will stop blinking;

b. Short press  to switch to the next parameter and the previously set value will be saved at the same time.

II. Press  +  to exit the setting and save the parameters.

Without this operation, the system will automatically exit and save the modified parameters after 10 seconds.

Note: Due to product upgrade, the product you purchased may be slightly different from the descriptions in this user manual, and this won't affect normal usage.