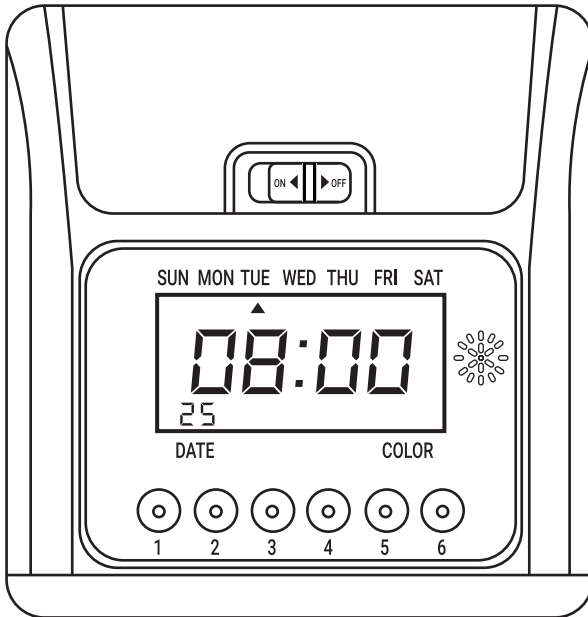




Electronic Time Clock Operation Manual



Package Contents:

Electronic Time Clock

Time Card

Ribbon Cassette

Please do not hesitate to contact us if you have any questions.

Important Notice:

Please include your Order Number and Product Model Number in the email.

Official Customer Service

Email Address: info@tera-digital.com

Cell: +1 (909)242-8669

Whatsapp: +1 (626)438-1404

Follow us:

Instagram: tera_digital

Youtube: Tera Digital

Twitter: Tera Digital

Facebook: Tera

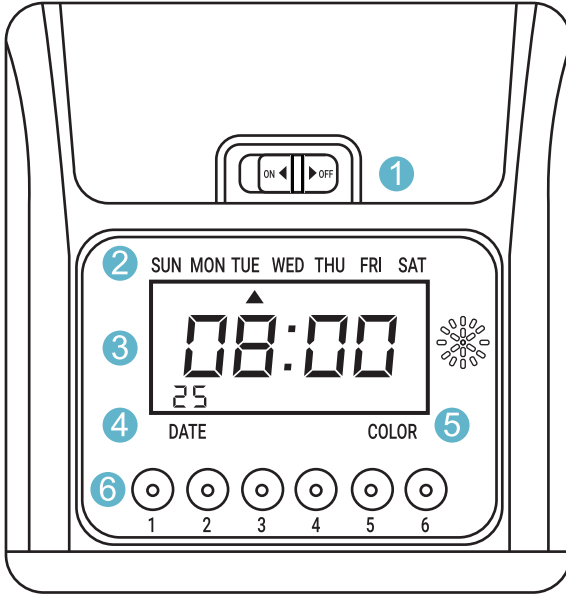
User manuals are available in Spanish, French, Italian and German, and can be downloaded from our website.

You may visit our official website via the link below or by scanning the given QR code:

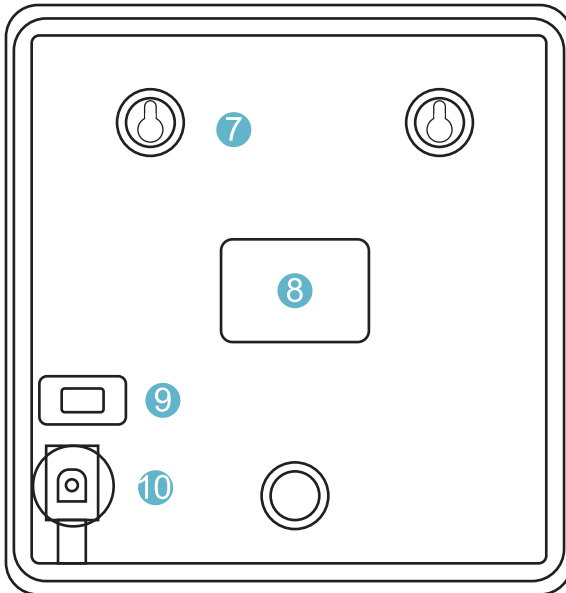
<https://www.tera-digital.com>



Appearance and Display Layout

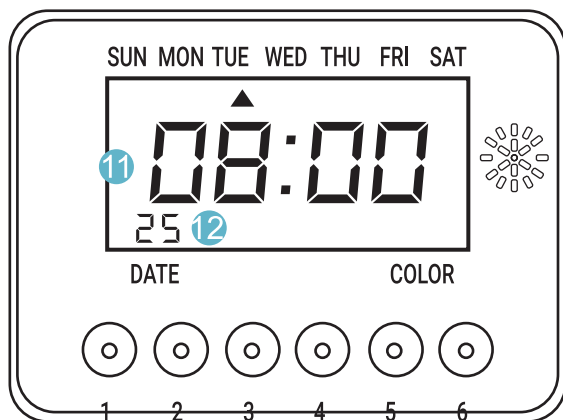


- ① Latch
- ② Day of the Week Indication
- ③ Current Time
- ④ Current Date
- ⑤ Printing Color
- ⑥ Printing Position and Buttons



- ⑦ Mounting Holes
- ⑧ Sticker
- ⑨ Reserved Holes for Backup Battery Lock
- ⑩ Power Supply Port

When in program mode



11 Parameters

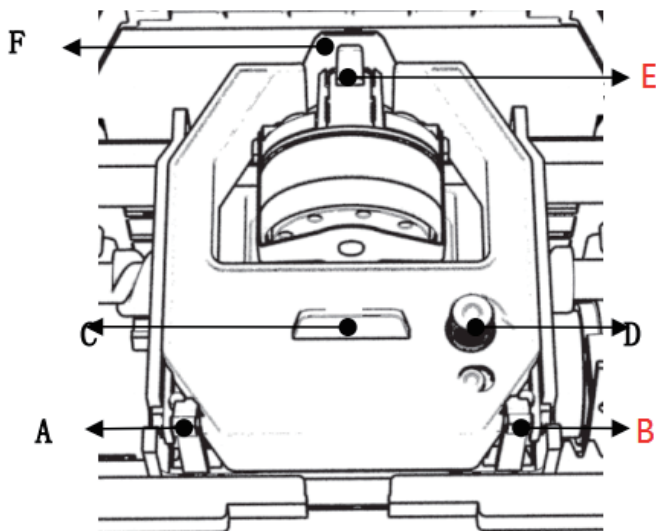
12 Current Parameter Group

Installing the ribbon cassette

Step 1: press [4] button.

Step 2: switch the latch to the ON position.

Step 3: remove the cover.



Step 4: remove the protective film on the installed ribbon cassette.

Step 5: pull A and B backwards and hold, pull C to take out the ribbon cassette.

Step 6: turn the knob of the new ribbon cassette in the same direction as shown by the arrow near the knob to tighten the ribbon. (Note: Must not turn the knob in the opposite direction. Improper handling causes malfunction of a ribbon cassette.)

Step 7: make sure the ribbon is between the print head (E) and the ribbon mask(F).

Step 8: push the ribbon cassette until it snaps into the clasps on both sides.

Step 9: turn the knob of the ribbon cassette in the direction of the arrow to tighten the ribbon.

Introduction

How to Enter Program Mode

Long press [6] Button until all the indicators flash three times and the beeper emits three beeps, to enter program mode.

(If you have set a four-digit password, you should first enter the password)

(If you cannot remember the password, please enter 9813 to activate program mode)

How to Adjust the Parameters

Press [1] button to increase the flashing number or [2] button to decrease the flashing number. When you have determined the appropriate value, press [3] button or [4] button to save the change and move to the next or previous parameter group.

Group	Description
00	Year
01	Month
02	Day
03	Hour
04	Minute
05	Alarm Duration (0-99s)
06	Alarm 1
07	Alarm 2
08	Alarm 3
09	Alarm 4

10	Alarm 5
11	Alarm 6
12	Time when the clock shifts to the next row
13	Time when the clock shifts to the 1st column
14	Time when the clock shifts to the 2nd column
15	Time when the clock shifts to the 3rd column
16	Time when the clock shifts to the 4th column
17	Time when the clock shifts to the 5th column
18	Time when the clock shifts to the 6th column
19	Time when printing in red (In)
20	Time when printing in black (Out)
21	Time when printing in red (In)
22	Time when printing in black (Out)
23	Time when printing in red (In)
24	Time when printing in black (Out)
25	Alarm 7

26	Alarm 8
27	Alarm 9
28	Alarm 10
29	Alarm 11
30	Alarm 12
31	Printing Position
32	Card Side Detection
33	Standard Shift and Three Shifts
34	Password

Note: The 12th parameter group means the time when the clock will move the print head to the position where the first column of the card is when placed in the card slot. By default, the time is set as 00:00 and it is not necessary to change it unless the schedule is three shifts, in which case the 12th parameter should be set as a time between the quitting time of the last work shift and the starting time of the first work shift.

32nd parameter group: Card Side Detection. There are only two parameters available: 00:00 (Disable detection) and 00:01 (Enable detection).

Quick Setup

Connect the time clock to a power supply, hold [6] button until all the indicators flash 3 times and the beeper emits 3 beeps, to enter program mode.

1. On the lower left corner of the display appears 00, which indicates Year. Press [1] button or [2] button to adjust the last flashing two digits to current year. Press [3] button to save the change and move to the next parameter group.
2. On the lower left corner of the display appears 01, which indicates Month. Press [1] button or [2] button to adjust the flashing number to current month. Press [3] button to save the change and move to the next parameter group.
3. On the lower left corner of the display appears 02, which indicates Day. Press [1] button or [2] button to set up for Day. Press [3] button to save the change and move to the next parameter group.
4. On the lower left corner of the display appears 03, which indicates Hour. Press [1] button or [2] button to set up for Hour. Press [3] button to save the change and move to the next parameter group.
5. On the lower left corner of the display appears 04, which indicates Minute. Press [1] button or [2] button to set up for Minute. Press [3] button to save the change and move to the next parameter group.

6. On the lower left corner of the display appears 05, which indicates the Duration of an Alarm. The default value is 00:10, which means the alarm will last for 10s. Press [1] button or [2] button to extend or shorten the duration. Press [3] button to save the change and move to the next parameter group.

7. On the lower left corner of the display appears 06, which indicates the time when an Alarm starts. Press [1] button or [2] button to change Hour and then press [3] button to continue to set up for Minute. Lastly, press [3] button to save the change and move to the next parameter group. (If you don't need an alarm any more, press [5] button while the lower left corner of the display shows 06 and the Hour parameter is flashing, and the display will show --:--, meaning that the alarm is removed.)

Note: From the 6th group to 11th group and the 25th group to 30th group are all alarm groups, so the configuration steps are the same.

8. On the lower left corner of the display appears 12, which indicates the time when the clock will move the print head to the next row. It is not necessary to change the default parameter if in a standard schedule. Simply press [3] to save the change and proceed to set up for other parameters.

9. On the lower left corner of the display appears 13, which indicates the time when the clock will move the print head to the 1st column. Press [1] button or [2] button to change Hour and then press [3] button to continue to set up for Minute. Lastly, press [3] to save the change and move to the next parameter group.

Note that the time when the clock shifts to the 1st column must be earlier than the shift starting time.

(The 13th group through 18th group can be set in the same way.)

10. On the lower left corner of the display appears 19, which indicates the time when the print head inside the clock will print in red. Press [1] button or [2] button to change Hour and then press [3] button to continue to set up for Minute. Lastly, press [3] to save the change and move to the next parameter group.

(The 19th group through 24th group can be set in the same way.)

11. On the lower left corner of the display appears 31, indicating the printing position. The default value is 00:05 and the printing is often in the center of the cell on the card. Press [1] button or [2] button to adjust the parameter so as to slightly change the printing position. Press [3] button to save the change and move to the next parameter group.

(The greater the number is, the higher the printing position will be.)

12. On the lower left corner of the display appears 32, which indicates the feature that detects the side of the card. When this feature is enabled, the time clock will only accept the card which is placed with the correct printing side to the front. If the card is placed with the printing side to the back, it will not pull in the card. (Normally, if placed correctly, the time card is automatically pulled in, printed, and then ejected) If you don't want to change the setting, simply press [3] button to save and move to the next parameter group.

13. On the lower left corner of the display appears 33, which indicates work shifts. By default, the parameter is 00:00, which means standard shift. If you need to enable three shifts, just change the parameter to 00:01 by press [1] button, then press [3] to save the change and move to the next parameter group.

14. On the lower left corner of the display appears 34, which indicates password. By default, there is no password. If you want to protect the time clock, you may add a password by entering four digit codes using [1] button and [2] button. When configuration is done, press [3] to save the change and move to the next parameter group. By this step, all the parameters are configured and you can hold [6] button to exit program mode. (If you want to remove the password, just press [5] button when the display shows the 34th group of parameter. The display will show--:--, meaning the parameter is null.)

15. To reset the time clock, hold [1][5][6] buttons at the same time when the clock is in program mode.