

ACCESSORY FITMENT

Product

Mitsubishi Pajero Sport 2017 Nudge Bar

Part no.

(MIT-PAJSP17-NBS)(MIT-PAJSP17-NBS) (145)



60
Minutes

Models : All

Page 1 of 11

Date : 16 July 2018

DIAGRAM

Kit content:

	Qty	Description		Qty	Description
A	1	Nudge bar with Cross Member	M	2	M10 x 1.5 x 35 Sets
B	2	Top Mount Nudge Brackets	N	2	M10 x 1.5 x 35 Sets (T-BOLT)
C	2	Front Chassis Mount Brackets	O	2	M8 x 25 Sets (SS)
D	2	Side Chassis Mount Brackets	P	4	M8 x 20 x 1.6 Flat Washers (SS)
E	4	M8 x 30 Sets (MS)	Q	2	M8 Spring Washers (SS)
F	8	M8 x 20 x 1.6 Flat Washers (MS)	R	2	Velamoid
G	4	M8 Spring Washers (MS)	S	2	Bumper Support Bracket
H	6	M8 Hex Nuts (MS)	T	2	M6 U-Clips
I	6	M10 x 1.25 x 30 Sets	U	2	Pinch Weld
J	10	M10 x 30 x 2 Flat Washers	V	2	M6 x 16 x 1 flat washers
K	10	M10 Spring Washers	W	2	M6 x 20 button heads
L	2	M10 Hex Nuts	X	2	M6 spring washers

Additional equipment/Material needed for fitment :

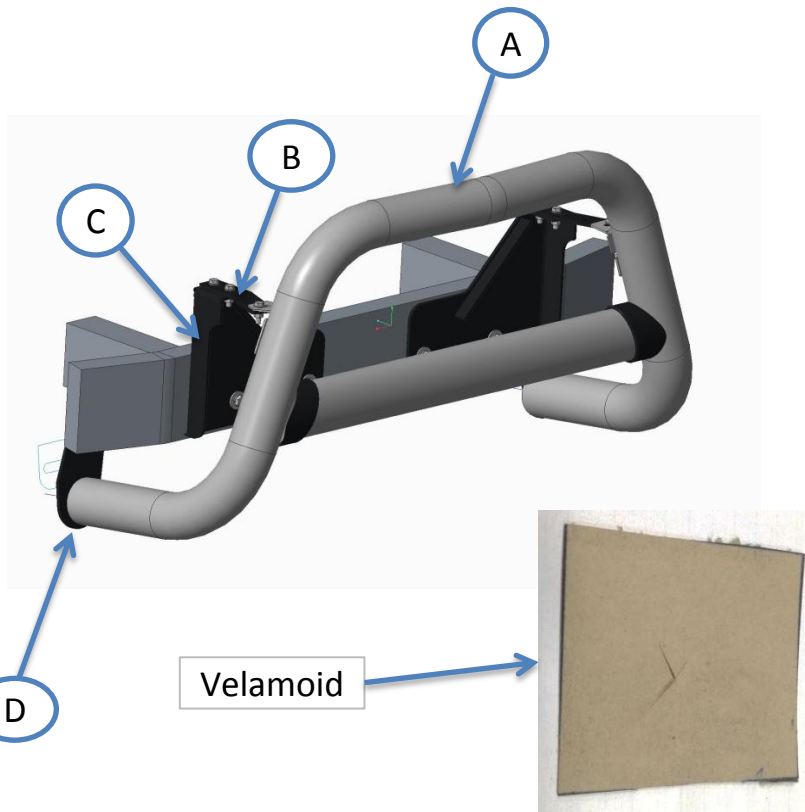
Qty			
		Ratchet Set	Masking Tape
		Spanner Set	Hand Drill
		Torque Wrench	Ø8mm Drill Bit
		Hack Saw Blade	

Precautions during fitment:

Ensure you have adequate working space. Requires two people for fitment. Ensure that the correct tools and appropriate PPE are used during installation.

Directions for use:

Please follow all steps shown in this fitting instruction.



Fitment Instruction:

Mitsubishi Pajero Sport 2017 Front Nudge

Visual / Graphic Illustration



Step

Description/Method

1

Remove Top Cover by removing plugs as shown in Figure 1.



2

Remove Grill by removing plugs as shown in Figure 1.

Fitment Instruction:

Mitsubishi Pajero Sport 2017 Front Nudge Bar

Visual / Graphic Illustration

Figure 2



3

Remove Plastic Bottom Cover as shown in Figure 2.

4

Use template provided to mark Trim Positions 50mm from hole as shown in Figure 2 & Figure 3.

5

Apply the Pinch Weld after Trimming.

6

Do the same to the other side of the Plastic Bottom Cover. *(Use Driver Side template)*

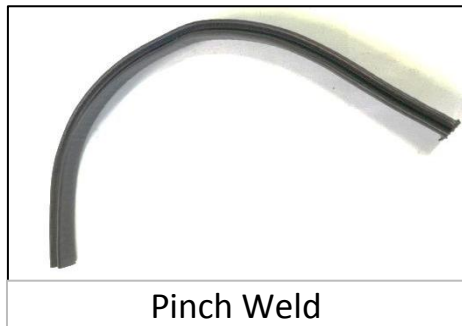
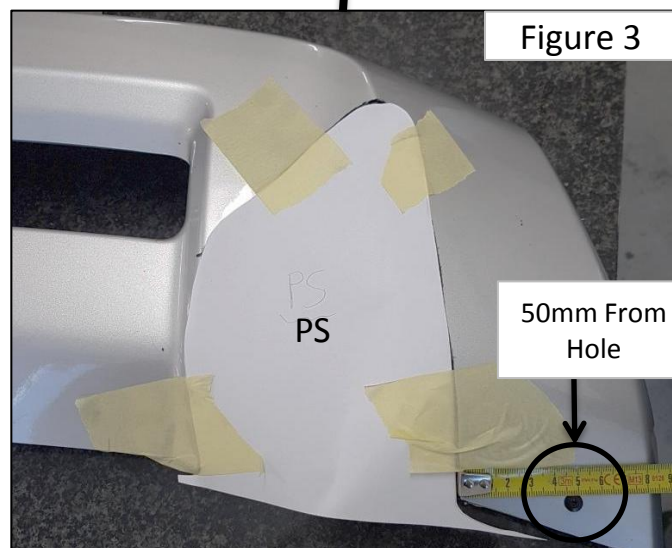


Figure 3



Passenger Side Shown

Fitment Instruction:

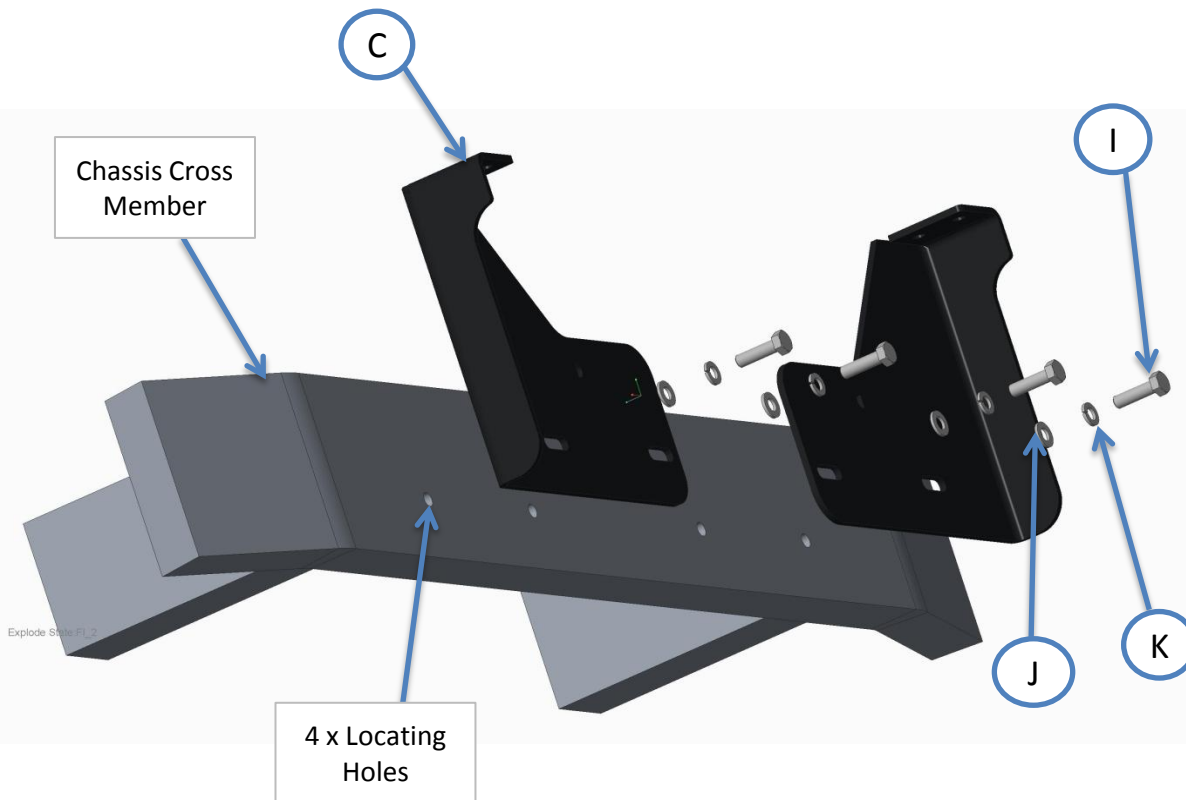
Mitsubishi Pajero Sport 2017 Front Nudge

Visual / Graphic Illustration

Step #

Description/Method

Figure 4



7

From underneath the vehicle, fit the Front Chassis Mount Brackets onto the locating holes as shown in figure 4. Note that the brackets have markings "**D**" for driver's side and "**P**" for passenger's side. Do not tighten Fully.

Fitment Instruction:

Mitsubishi Pajero Sport 2017 Front Nudge Bar

Visual / Graphic Illustration

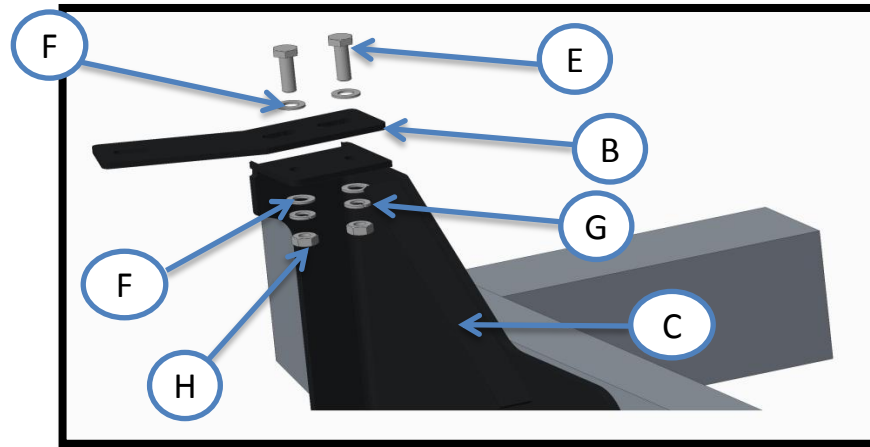


Figure 5



Step #

Description/Method

8

Apply Masking tape on the grill to prevent any damage to the grill as shown in figure 5.

9

Fit the Top Mount Nudge Brackets labled B through the grill of the vehicle on the driver's side as shown in figure 5. Note that the brackets have markings "D" for driver's side and "P" for passenger's side. Do the same to the other side. Do not tighten fully.

Fitment Instruction:

Mitsubishi Pajero Sport 2017 Front Nudge Bar

Visual / Graphic Illustration

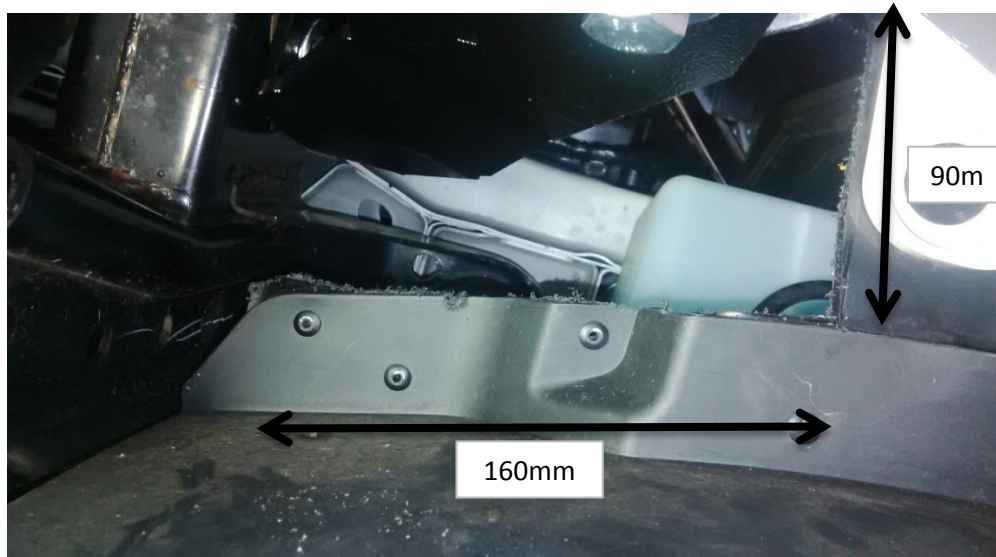
Step #

Description/Method



Figure 6

Plastic Cover Cut Out



10

From Underneath the vehicle, using the Hack-Saw Blade, trim the Plastic Cover to accommodate the Side Chassis Mount Brackets as shown in Figure 6.

Fitment Instruction:

Mitsubishi Pajero Sport 2017 Front Nudge Bar

Visual / Graphic Illustration

Step #

Description/Method

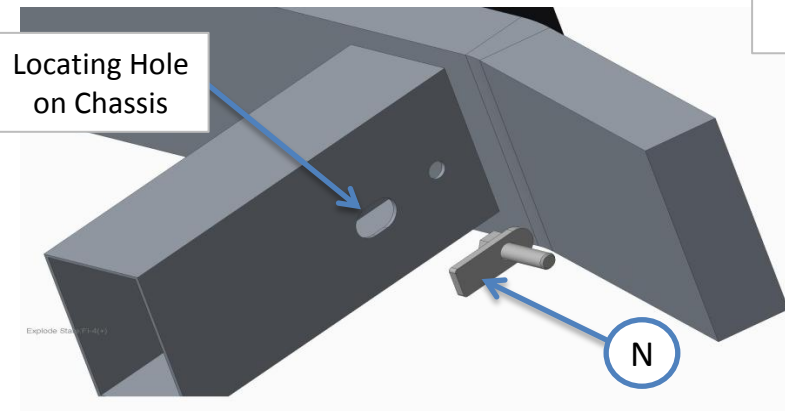
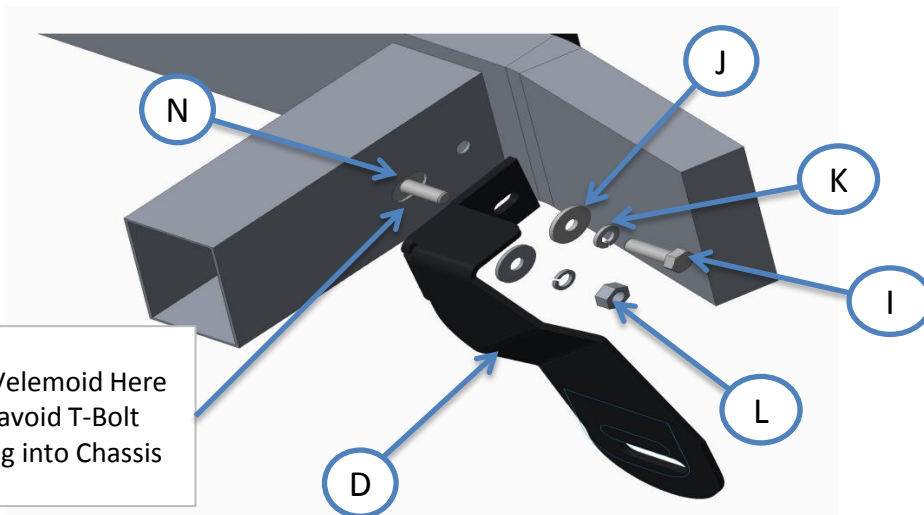


Figure 7

11

Insert the T-Bolt (labeled N) into the locating hole on the driver's side of the vehicle as shown in figure 7.






Use Velemoid Here to avoid T-Bolt falling into Chassis

12

Mount the Side Chassis Mount Brackets onto the driver's side of the chassis on the vehicle as shown in figure 7. Note that the brackets have markings "D" for driver's side and "P" for passenger's side. Do the same to the other side of the vehicle.

Fitment Instruction:

Mitsubishi Pajero Sport 2017 Front Nudge Bar

Visual / Graphic Illustration	Step #	Description/Method
<p style="text-align: center;">Figure 8</p>  <p style="text-align: center;">M6 U-Clip</p>	13	Identify the M6 U-Clips and Bumper Support Bracket as shown in Figure 8.
 <p style="text-align: center;">M6 U-Clip</p>	14	Insert the U-Clip onto the Bumper Support Bracket as shown in Figure 8.
 <p style="text-align: center;">Bumper Support Bracket PS Shown</p> <p style="text-align: center;">Bumper Support Bracket Fitted with U-Clip</p>	15	Replace Bottom Plastic cover after trimming with applied Pinch weld from instruction 3 to 6.

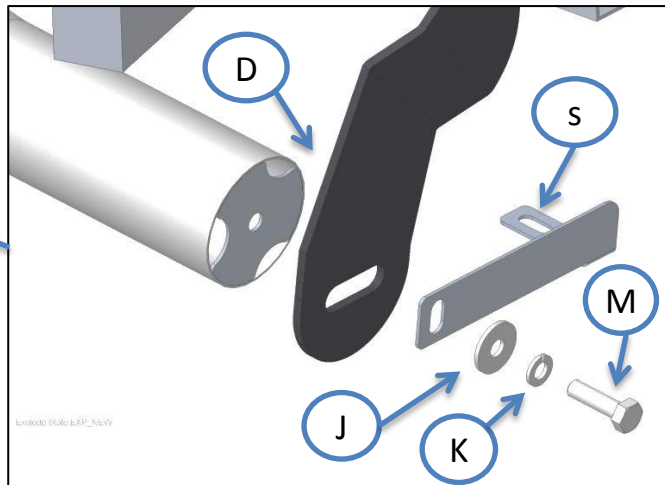
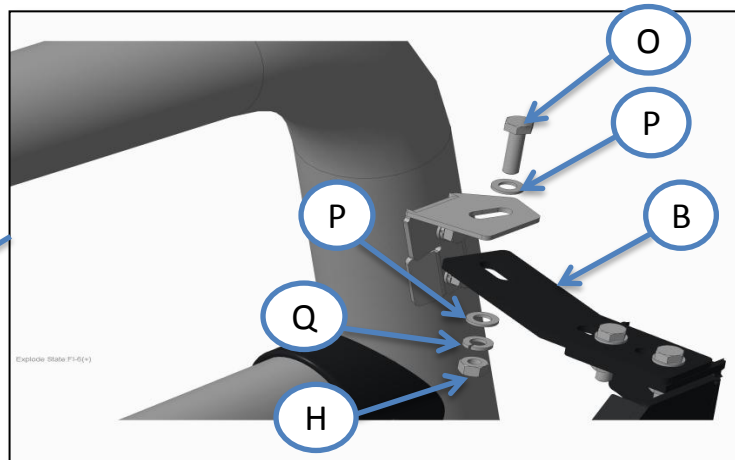
Fitment Instruction: Mitsubishi Pajero Sport 2017 Front Nudge Bar

Visual / Graphic Illustration

Step #

Description/Method

Figure 9



16

Fit the Nudge Bar as shown in Figure 9.

17

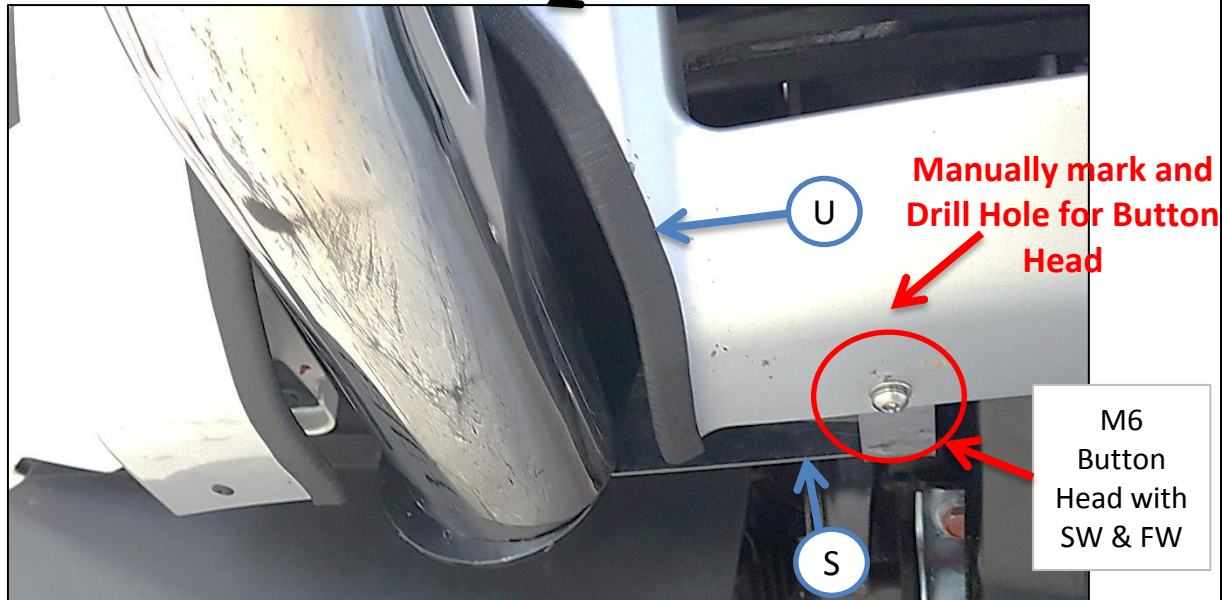
Adjust Numberplate to be below Nudge Bar.

Fitment Instruction:

Mitsubishi Pajero Sport 2017 Front Nudge Bar

Visual / Graphic Illustration

Figure 10



Step #

Description/Method

18

Align the Bumper support Bracket and the Bottom Plastic Cover and make a marking to drill a Hole to the M6 U-Clip

19

Use a Hand Drill and a $\varnothing 8\text{mm}$ Drill Bit to Drill the Hole

20

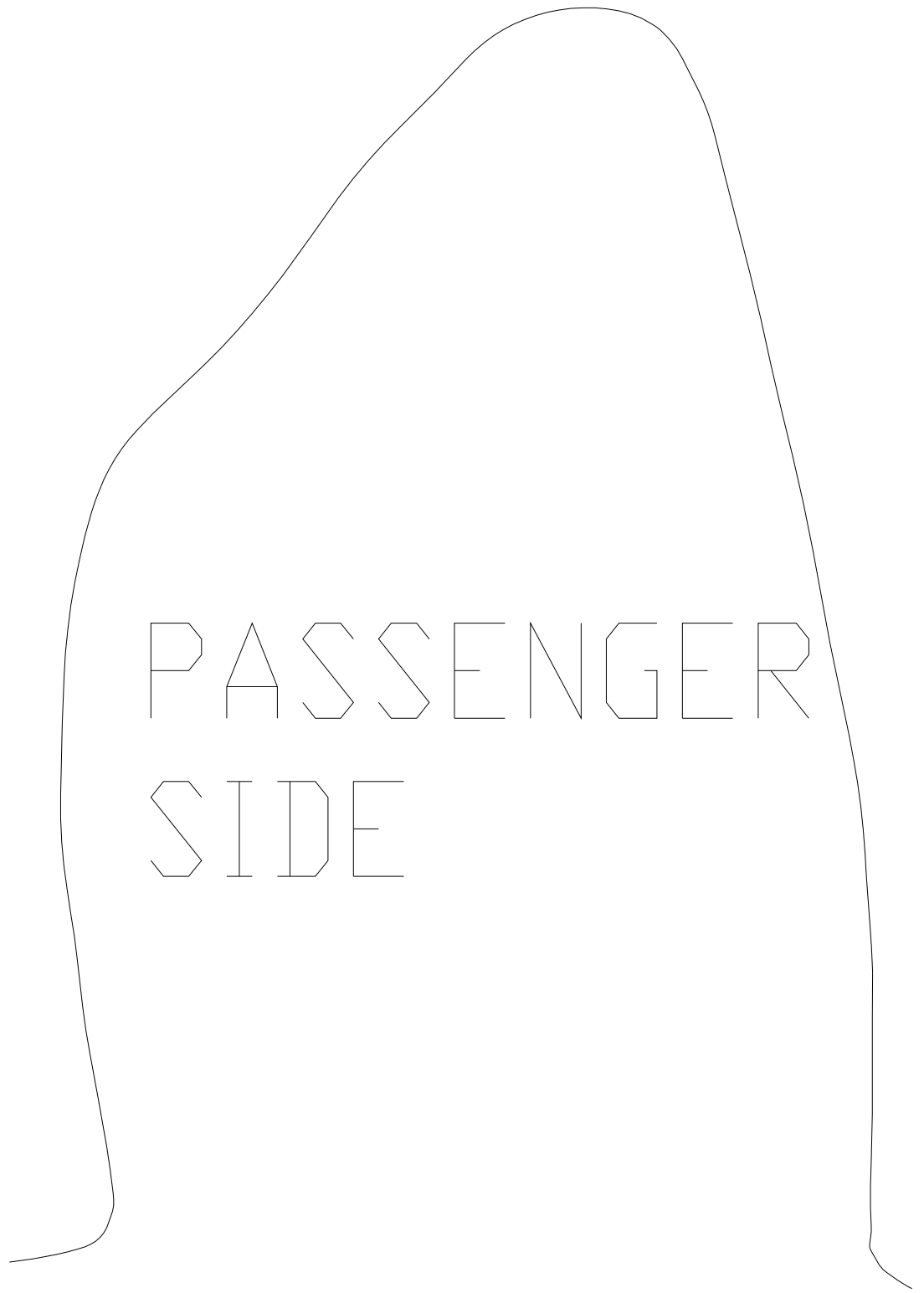
Use the M6 Button Head, M6 Flat Washer and M6 Spring washer (SS) provided in kit to fasten the Bracket as shown in Figure 10.

Make sure bar is centralised and tighten all fasteners to specified torque. M8= 22Nm , M10= 42Nm , M6= 9Nm.





DRIVER
SIDE



PASSENGER
SIDE