

ACCESSORY FITMENT

Product

GWM - P Series nudge bar

Part no.

(72056T)(BS-72056) (Tracking No. 412)



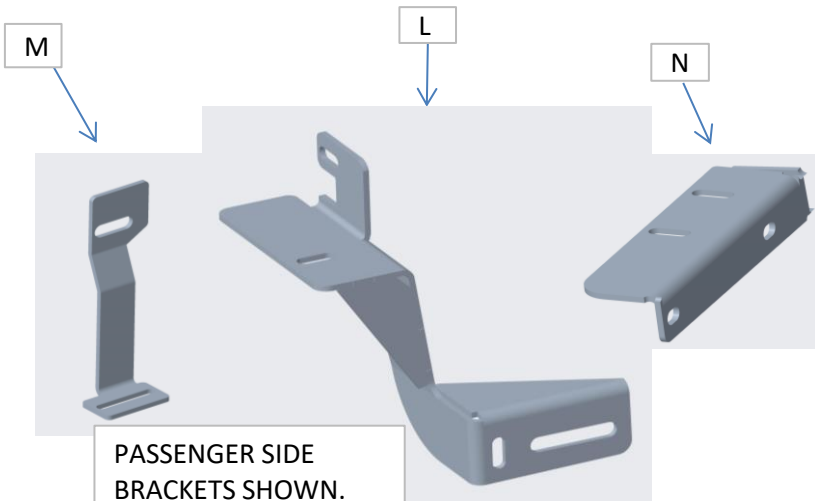
60
Minutes

Models : DC and SC

Page 1 of 6

Date : 16/02/2021

DIAGRAM



Kit content:

	Qty			Qty	Description
A	2	M10x150 set	L	2	Chassis Mount Bracket
B	4	M10 x 90 Set	M	2	Top support brace bracket
C	4	M10 x 30 Set	N	2	Bottom nudge mount basket
D	6	M8x 30 set			
E	6	M10 x 40x3 flat washer			
F	12	M10 x 30 x 2.5 Flat washer			
G	8	M8x22x1.6 flat washer			
H	10	M10 Spring washer			
I	6	M8 Spring washer			
J	2	M8 Hex nuts			
K	8	M10 Hex nuts			
Qty	1	Ratchet Set	Qty		
	1	Spanner Set			
	1	Torque Wrench			


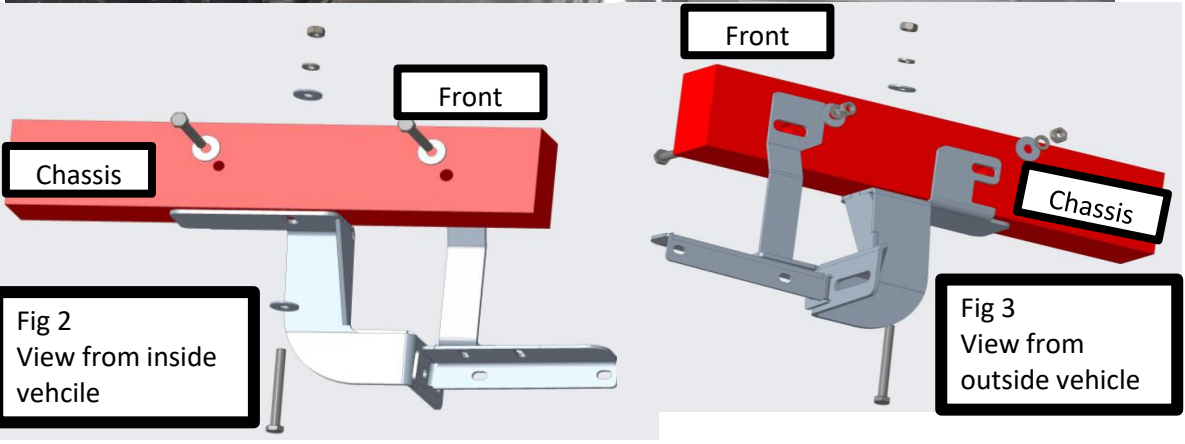
Precautions during fitment:

Please take precaution when installing Nudge Bar to prevent any damages to the vehicle and the Nudge Bar

Directions for use:

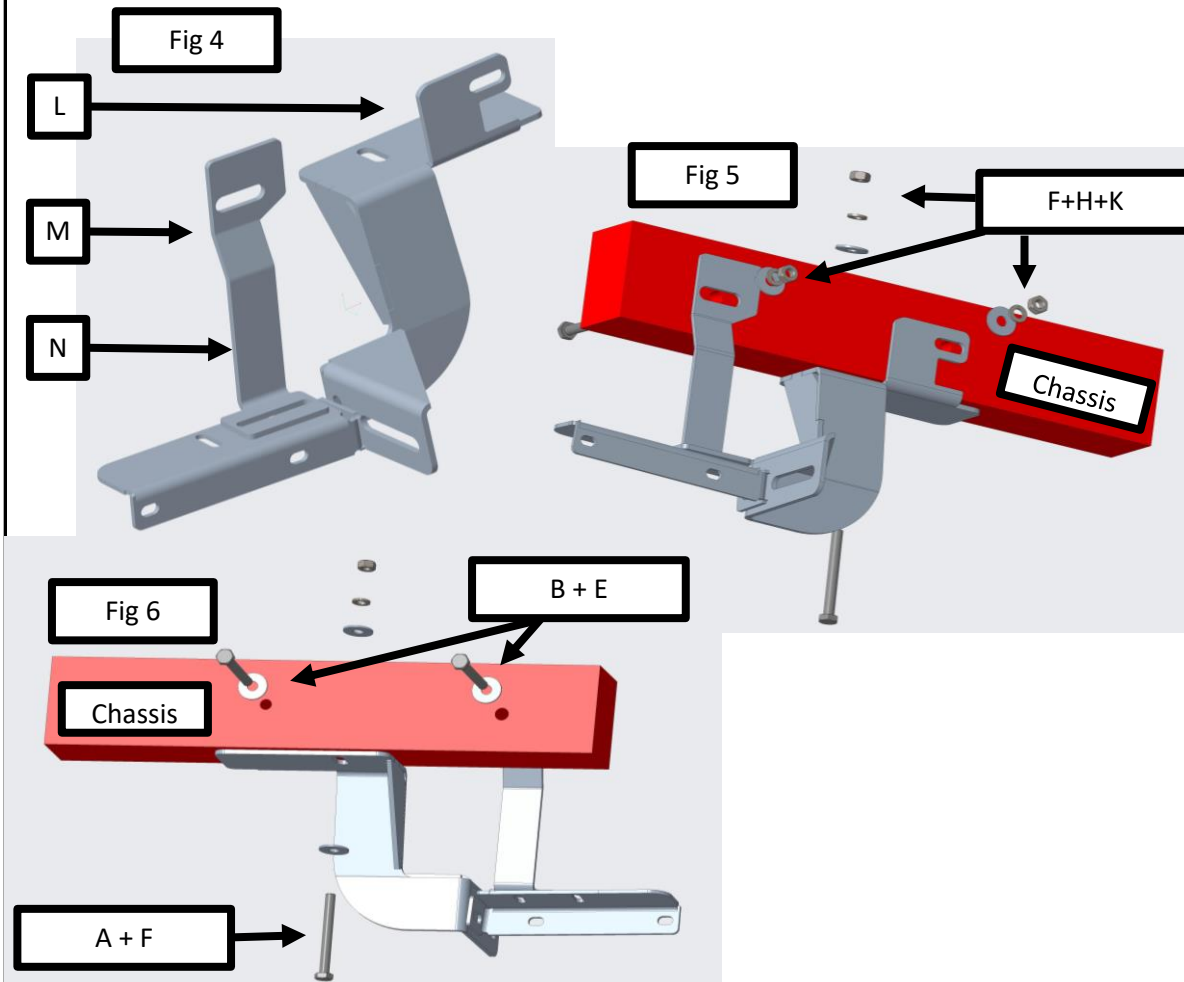
Please follow the steps below, numbered 1 to 8

Fitment Instruction: P Series nudge bar

Visual / Graphic Illustration	Step No.	Description/Method
<p>Note: remove dust cover (Figure A) before starting fitment .</p> <p style="text-align: right;">Fig 1</p> 	1	<p>Place the Passenger's side Mounting Bracket (L) directly behind the tow eye as seen in Fig 1. Using the bolts supplied loosely secure it onto the chassis - see the simplified 3D model below to assist</p>
 <p>Fig 2 View from inside vehicle</p> <p>Fig 3 View from outside vehicle</p>	2	<p>Insert the Fasteners as shown in Figure 2 and 3. Refer to STEP 3 for the fastner breakdown. Do not tighten fully until the very end.</p>

Fitment Instruction: P Series nudge bar

Visual / Graphic Illustration



Step No.

Description/Method

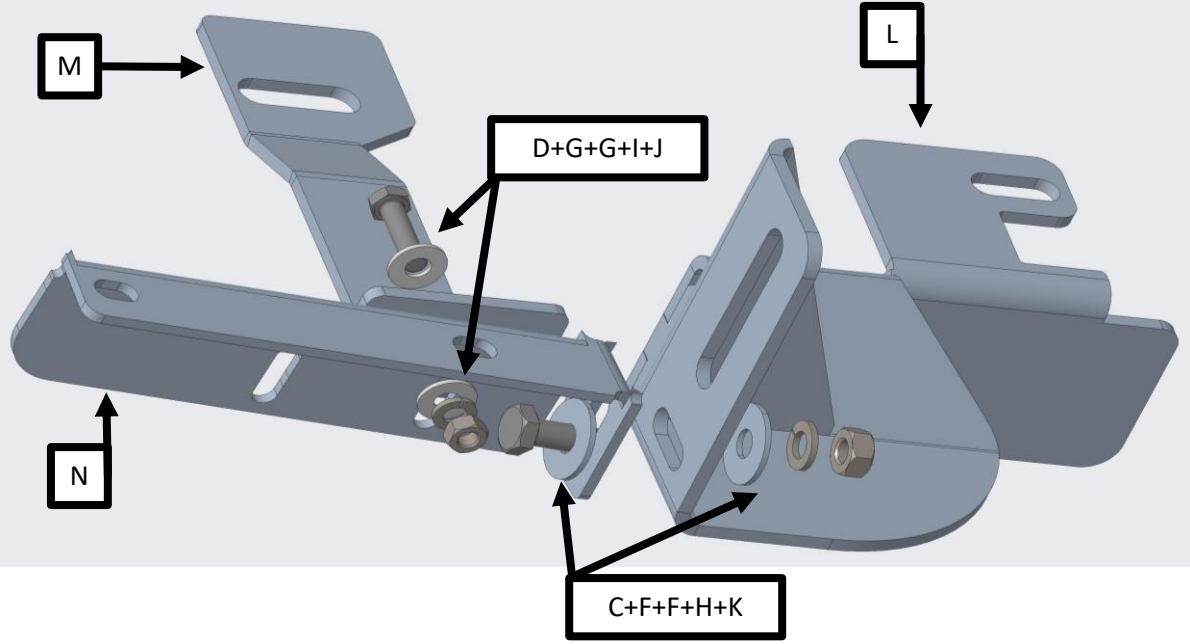
Step 3

Refer to Fig 4 for the assembly of brackets L, M and N

Step 4

Insert Fasteners as shown in Figure 5 and 6 Do not tighten fully.

Fitment Instruction: P Series nudge bar

Visual / Graphic Illustration	Step No.	Description/Method
<div data-bbox="56 454 273 518" style="border: 1px solid black; padding: 2px; width: fit-content;">Fig 7</div> 	Step 5	Repeat steps 1 to 4 on the driver's side of the vehicle.

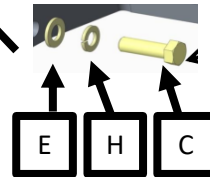
Fitment Instruction: P Series nudge bar

Visual / Graphic Illustration

Step No.

Description/Method

Fig 8



Step 7

Place the Nudge Bar against the Chassis Mount Bracket and insert fasteners as shown in Fig 8. Do not tighten fully.

Final step

Make sure bar is centralised and tighten all fasteners to specified torque. M8= 22Nm , M10= 42Nm , M6= 9Nm.

