

ACCESSORY FITMENT INSTRUCTION

Product

Nissan Navara Nudge bar 2021

Part no.

(BS-170047)(170047T) (Tracking No.: 423)



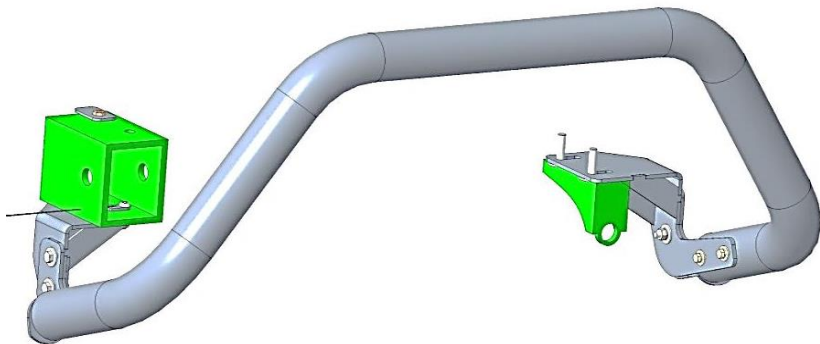
60
Minutes

Models : ALL

Page 1 of 8

Date : 6-July-2021

DIAGRAM



Kit content:

	Qty	Description		Qty	Description
A	2	M10 X 90 HEX BOLT	L	2	M12 SPRING WASHER
B	8	M10 X 25 X 1.6 FLAT WASHERS	M	4	M8 Hex bolt covers
C	11	M10 SPRING WASHER	N	2	M10 Hex bolt covers
D	9	M10 x 30 x 2 flat washers	O	1	DS MAIN BRACKET
E	9	M10 X 30 HEX SET SCREWS	P	1	PS MAIN BRACKET
F	6	M10 HEX NUT	Q	1	DS SUPPORT BRACKET
G	4	M8 X 30 HEX SET SCREWS	R	1	PS SUPPORT BRACKET
H	4	M8 X 22 X 1.6 FLAT WASHERS			
I	4	M8 SPRING WASHERS			
J	2	M12 X 50 SET SCREWS (1.25 THRD)			
K	2	M12 X 30 X 2 FLAT WASHER			

Qty		Qty	
	RATCHET & SOCKET SET		HACK SAW
	MASKING TAPE		

Precautions during fitment:

Do not cause any damage to the vehicle. Apply masking Tape to the front bumper prevent any scratches. Requires 2 people to fit. Ensure that you are wearing the appropriate PPE during Fitment.

Directions for use:

Read all instructions carefully before installation

Fitment Instruction: Nissan Navara Nudge bar

Visual / Graphic Illustration

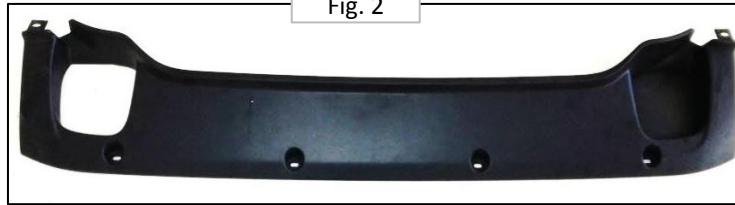
Step #

Description/Method

Fig. 1



Fig. 2



Plastic

Fig. 3



Plastic Side Undercovers (PS & DS)
These covers are Trimmed (Trimming Instructions on Last Page)

1

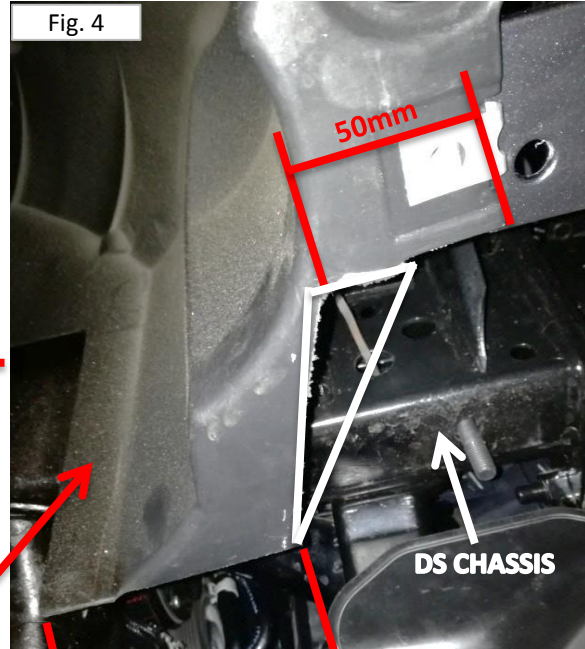
Remove Front Plastic Under cover and Side Under Covers as shown in Figure 1, Figure 2 & Figure 3.

Fitment Instruction: Nissan Navara Nudge bar

Visual / Graphic Illustration



Rear of vehicle



Front Driver's side Mud cover

Picture taken from underneath vehicle (*Front Drivers Side*)

Step #

Description/Method

2

Locate Driver's Side Front Mud Cover as shown in Figure 3 & Figure 4.

3

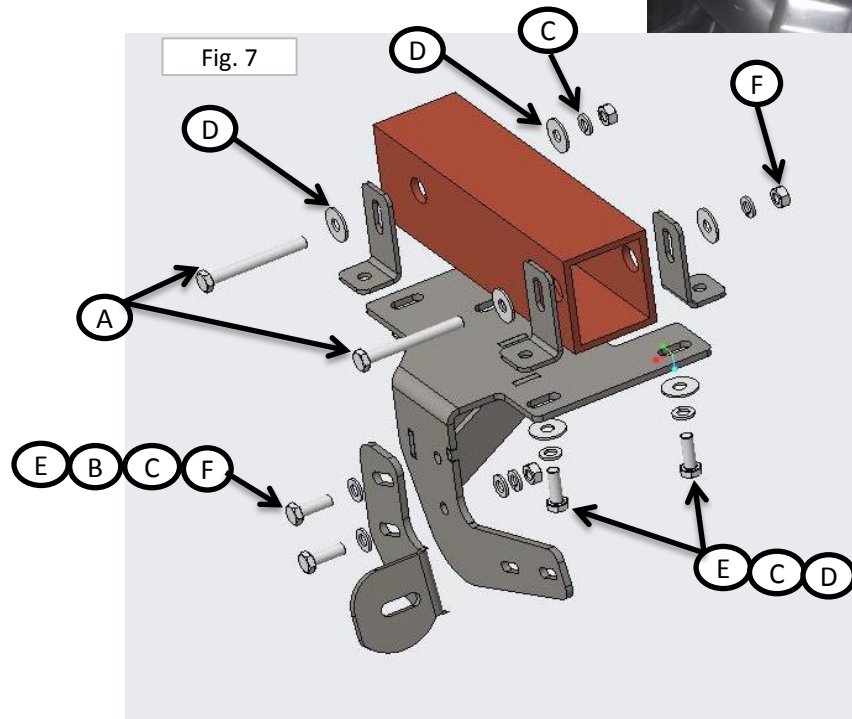
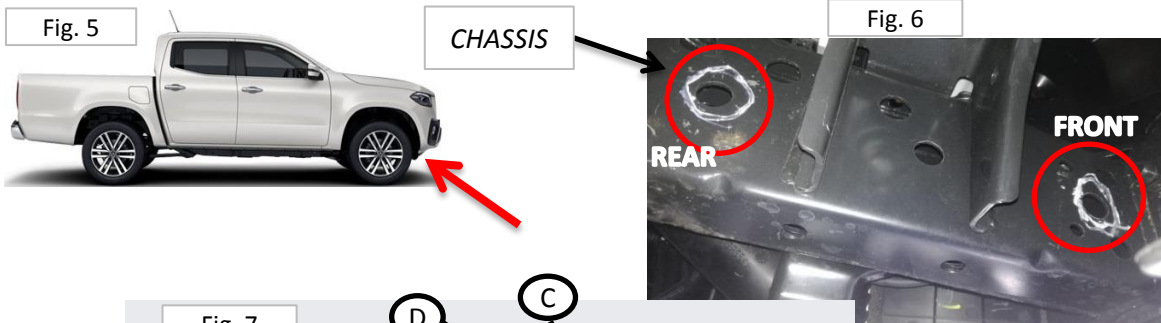
Trim Front Mud cover as shown in Figure 4.

4

Do the same to the passenger side of vehicle

Fitment Instruction: Nissan Navara Nudge bar

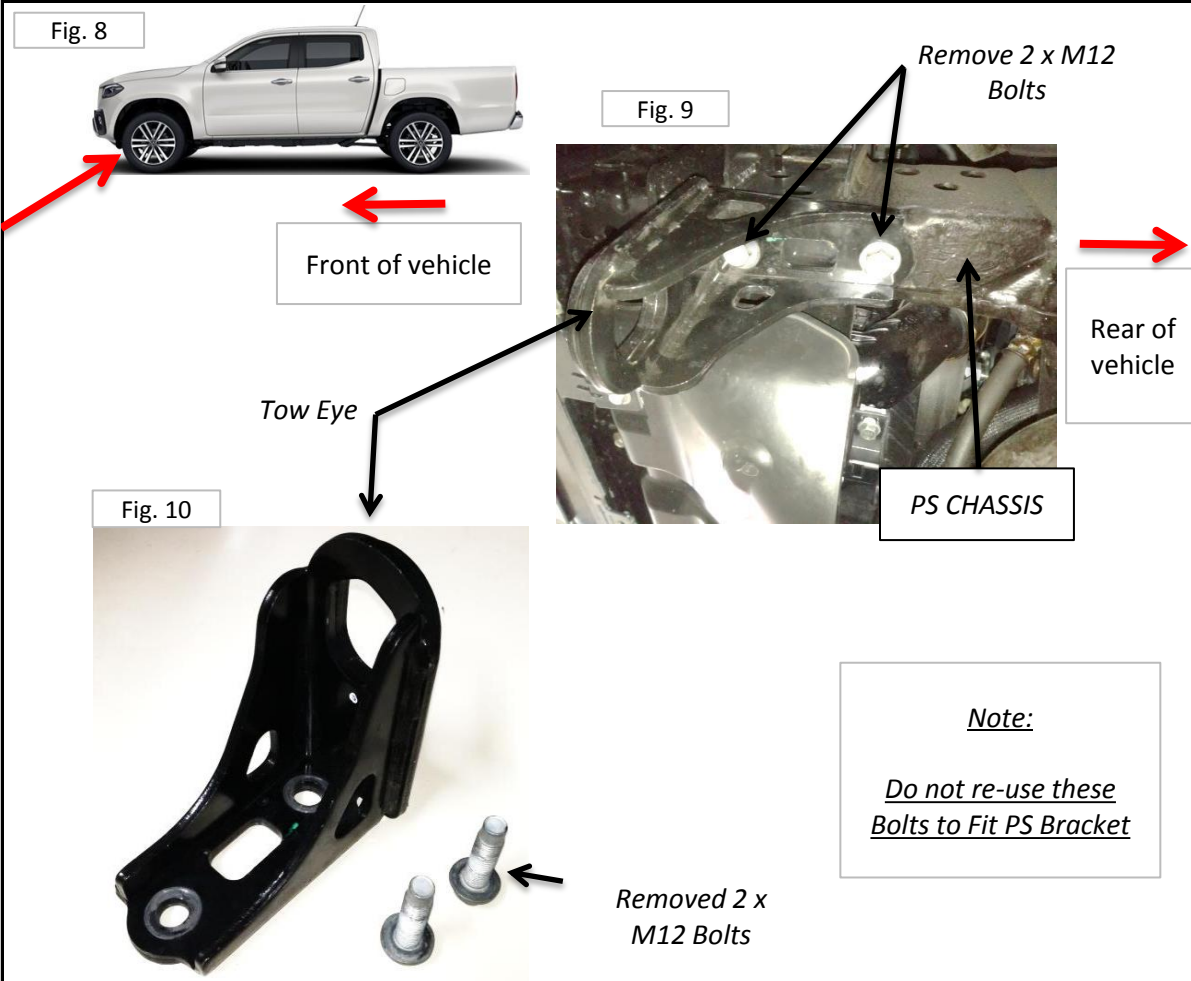
Visual / Graphic Illustration



Step #	Description/Method
<i>Note: Figure 6 image taken as shown in Figure 5.</i>	
5	Locate DS Mounting Position as shown in Figure 5 & Figure 6.
6	Fit DS Brackets with markings "D" as shown in Figure 5, Figure 6 & Figure 7. Do not fully tighten yet.

Fitment Instruction: Nissan Navara Nudge bar

Visual / Graphic Illustration



Step #

Description/Method

Note: Figure 9 image taken as shown in Figure 8.

7

Locate Tow Eye as shown in Figure 8 & Figure 9.

8

Remove Tow Eye

9

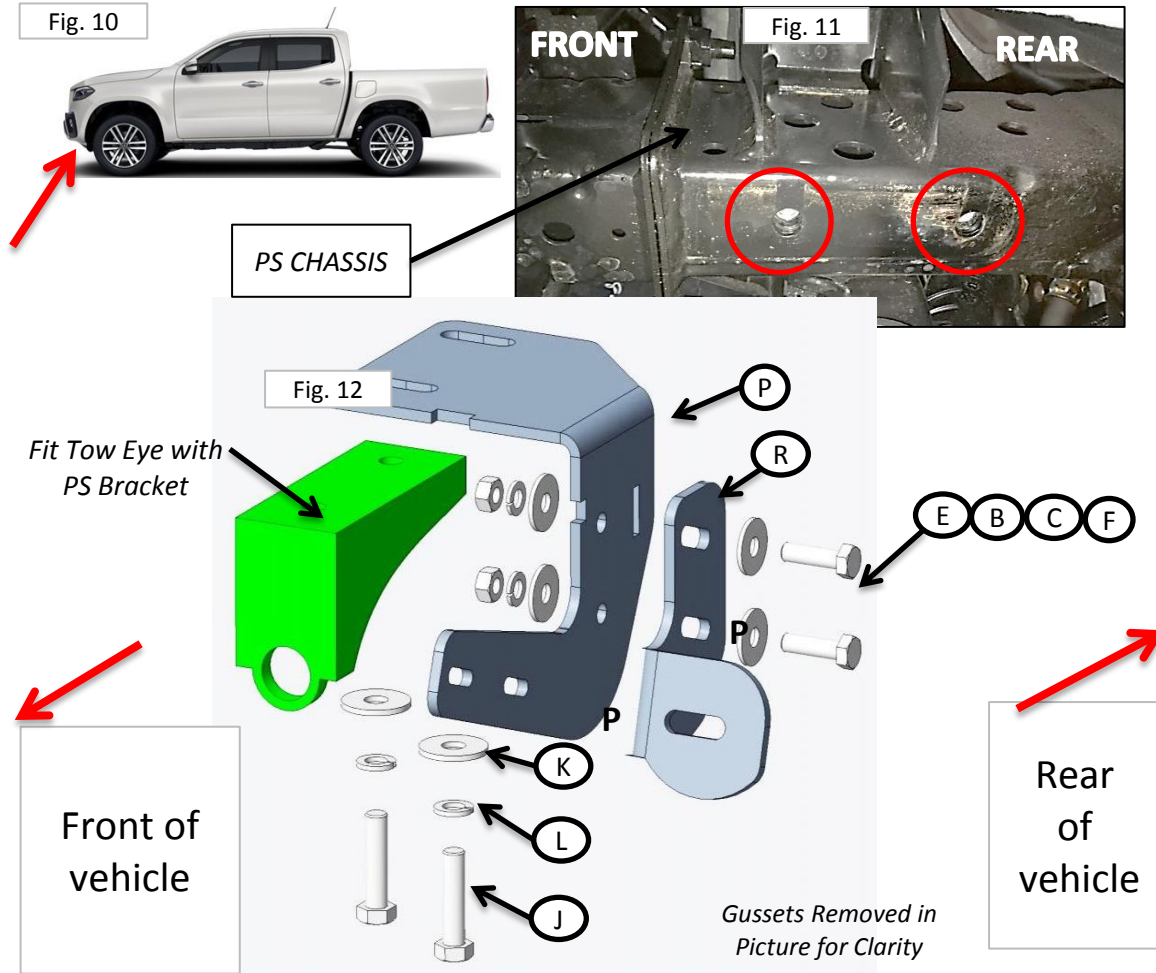
Do not throw away Tow Eye as it will be used in the Fitment.

Fitment Instruction: Nissan Navara Nudge bar

Visual / Graphic Illustration

Step #

Description/Method



Note: Figure 11 image taken as shown in Figure 10.

10

Locate PS Mounting Position as shown in Figure 10 & Figure 11.

11

Fit PS Brackets with marking "P" as shown in Figure 10, Figure 11 and Figure 12. Do not fully tighten yet.

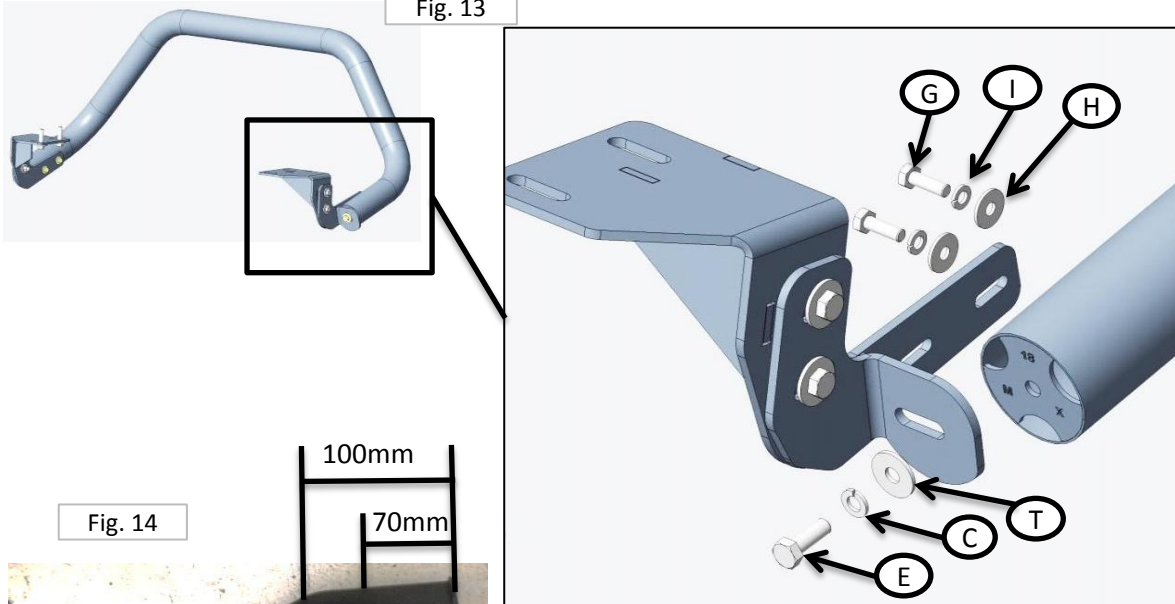
Fitment Instruction: Nissan Navara Nudge bar

Visual / Graphic Illustration

Step #

Description/Method

Fig. 13



12

Fit the Nudge Bar as shown in Figure 13.

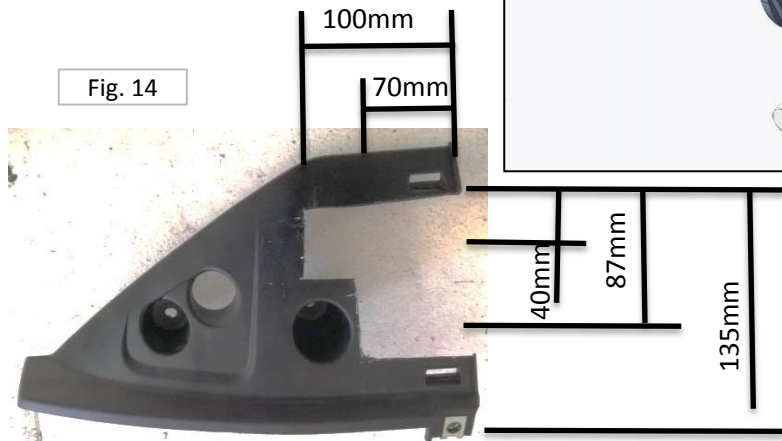
13

Trim the Plastic Side Undercover as shown in Figure 14. Trim PS as well.

14

Fit the Plastic Undercover and Side Undercovers that were removed in Instruction 1.

Fig. 14



Plastic Side Undercover trimming Instruction

Complete

Make sure bar is centralised and tighten all fasteners to specified torque. M8= 22Nm , M10= 42Nm , M6= 9Nm.

