

ACCESSORY FITMENT INSTRUCTION

Product

Isuzu D Max Nudge bar 2022

Part no.

(BS-1600091)(1600091T) (Tracking No.: 428)



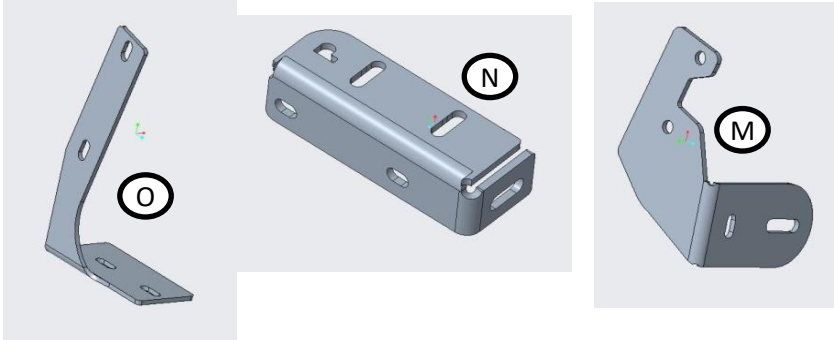
60
Minutes

Models : 2021 +

Page 1 of 7

Date : 23-May-2022

DIAGRAM



Kit content:

	Qty	Description		Qty	Description
A	2	M10 U- bolts	L	2	M10 black hex caps
B	4	M10 x 30 set screws	M	2	1 x PS & 1 x DS bottom main bracket
C	4	M10 x 40 set screws	N	2	1 x PS & 1 x DS join brackets
D	10	M10 Hex nuts	O	2	1 x PS & 1 x DS drop down brackets
E	18	M10 x 30 x 2 flat washers	P	1	Nudge bar
F	12	M10 spring washers	Q		
G	8	M8 x 25 set screws	R		
H	12	M8 x 22 x 1.6 flat washers			
I	8	M8 spring washers			
J	4	M8 hex nuts			
K	4	M8 black hex caps			

Qty		Qty	
	RATCHET & SOCKET SET		HACK SAW
	MASKING TAPE		

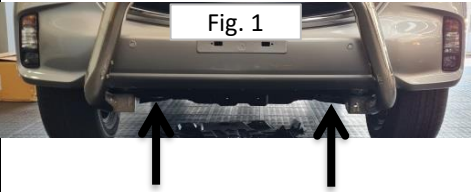
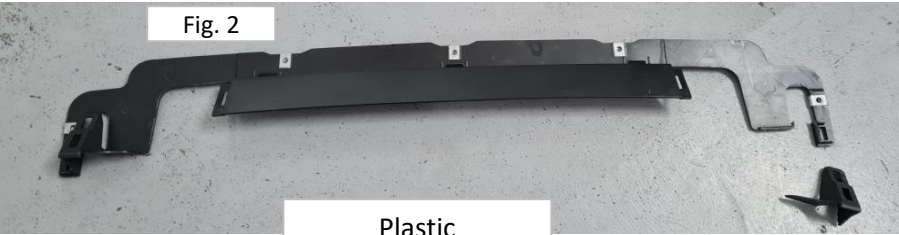

Precautions during fitment:

Do not cause any damage to the vehicle. Apply masking Tape to the front bumper prevent any scratches. Requires 2 people to fit. Ensure that you are wearing the appropriate PPE during Fitment.

Directions for use:

Read all instructions carefully before installation

Fitment Instruction: BT50 Nudge bar

Visual / Graphic Illustration	Step #	Description/Method
<div style="display: flex; flex-direction: column; align-items: center;"> <div style="margin-bottom: 20px;">  <p style="text-align: center;">Fig. 1</p> </div> <div style="margin-bottom: 20px;">  <p style="text-align: center;">Fig. 2</p> <div style="border: 1px solid black; padding: 5px; width: fit-content; margin: 10px auto;">Plastic Undercover</div> </div> <div>  <p style="text-align: center;">Fig. 3</p> <div style="border: 1px solid black; padding: 5px; width: fit-content; margin: 10px auto;">Plastic Side Undercovers (PS & DS) <i>These covers are Trimmed (Trimming Instructions on next Page)</i></div> </div> </div>	<p style="font-size: 2em; margin: 0;">1</p>	<p>Remove Front Plastic Under cover and Side Under Covers as shown in Figure 1, Figure 2 & Figure 3.</p>

Fitment Instruction: BT50 Nudge bar

Visual / Graphic Illustration

Fig. 4

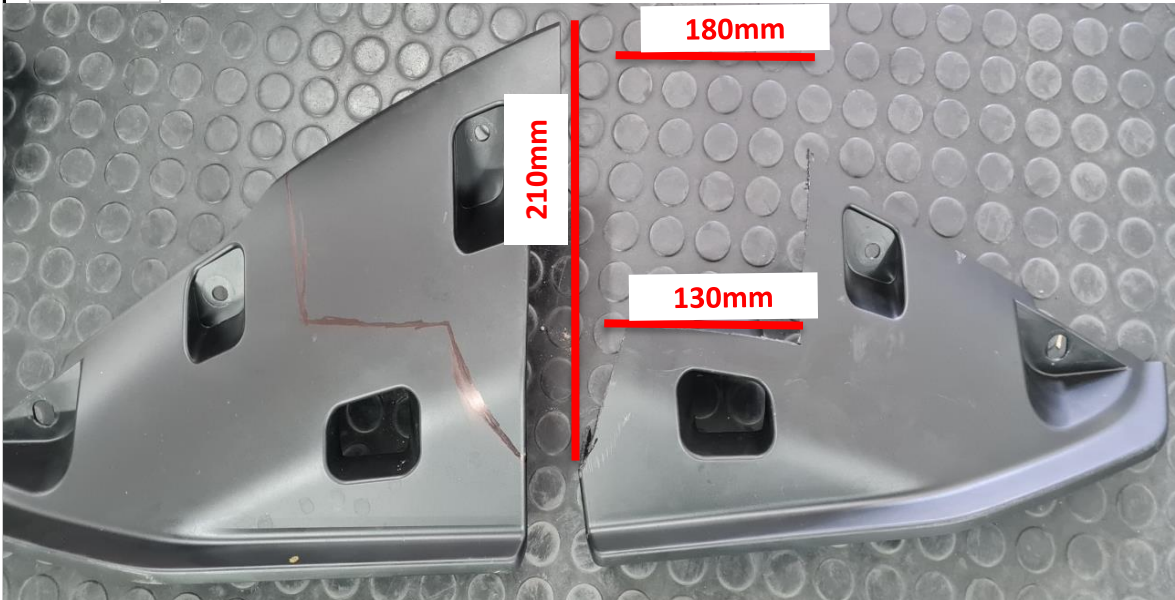


Fig. 5



Step #

Description/Method

2

Locate Driver's Side Front Mud Cover as shown in Figure 4 & Figure 5.

3

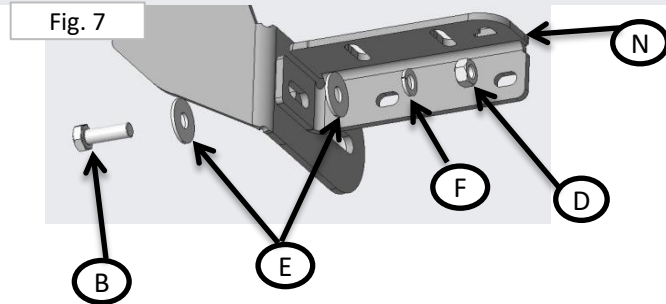
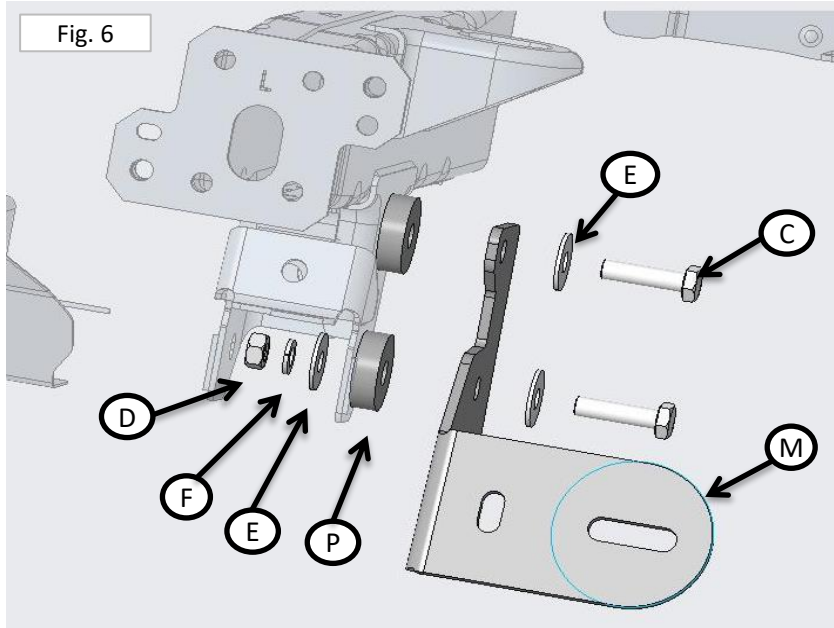
Trim Front coverS as shown in Figure 4 & 5.

4

Do the same to the passenger side of vehicle

Fitment Instruction: BT50 Nudge bar

Visual / Graphic Illustration



Step #	Description/Method
5	Locate PS Mounting Position on Chassis as shown in Figure 6
6	Fit PS Brackets with markings "P" as shown in Figure 6, Figure 7. Do not fully tighten yet.

Fitment Instruction: BT50 Nudge bar

Visual / Graphic Illustration

Fig. 8

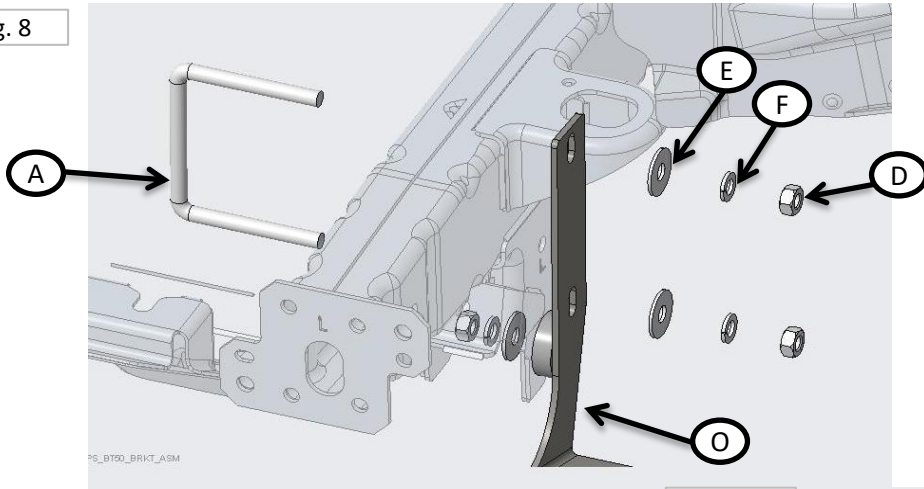


Fig. 9

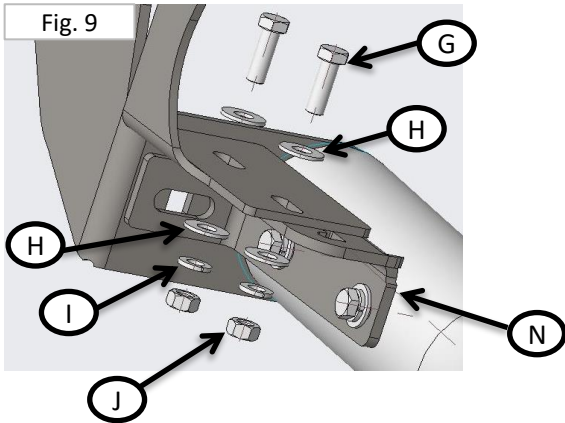
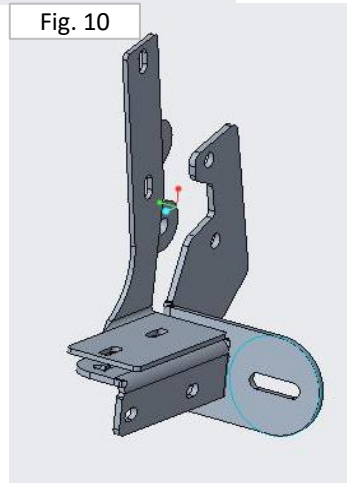


Fig. 10



Step #

Description/Method

7

Fit bracket "O" using the U bolt to the chassis s shown in Fig 8 and attach the bottom to Bracket N Using the M8 hardware as shown in Figure 9.

8

Figure 10 shows bracket assembly

Now mount the Drivers side following the same process as above

Fitment Instruction: BT50 Nudge bar

Visual / Graphic Illustration

Fig. 11

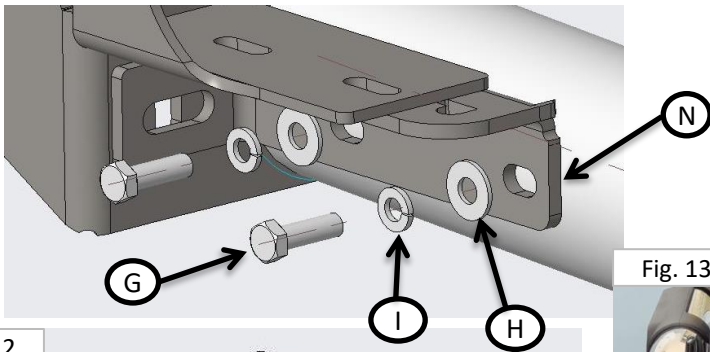


Fig. 12

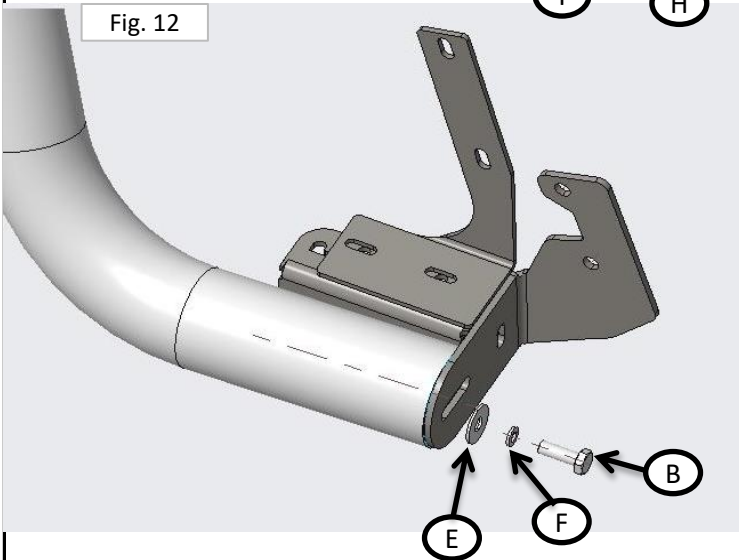


Fig. 13



Step #

Description/Method

Once you have both side brackets mounted proceed to step 9 below

9

Place Nudge bar to brackets and assemble as shown in Figure 11 & 12.

11

Ensure Nudge is centre and lift Nudge bar so there is a 10-12mm gap (Figure 13) between bar and bumper then fully tighten.

Make sure bar is centralised and tighten all fasteners to specified torque. M8= 22Nm , M10= 42Nm , M6= 9Nm.

