

# ACCESSORY FITMENT INSTRUCTION

**Product**

Mazda BT50 Nudge bar 2021

**Part no.**

(BS-150085)(150085T) (Tracking No.: 428)



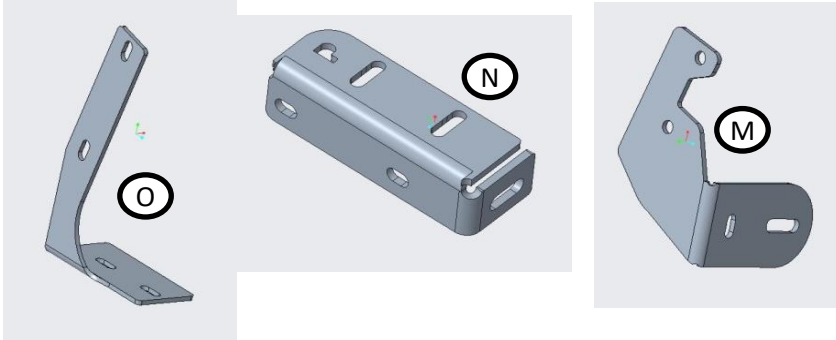
60  
Minutes

Models : 2021 +

Page 1 of 7

Date : 04-August-2021

## DIAGRAM



## Kit content:

	Qty	Description		Qty	Description
A	2	M10 U- bolts	L	2	M10 black hex caps
B	4	M10 x 30 set screws	M	2	1 x PS & 1 x DS bottom main bracket
C	4	M10 x 40 set screws	N	2	1 x PS & 1 x DS join brackets
D	10	M10 Hex nuts	O	2	1 x PS & 1 x DS drop down brackets
E	18	M10 x 30 x 2 flat washers	P	1	Nudge bar
F	12	M10 spring washers	Q		
G	8	M8 x 25 set screws	R		
H	12	M8 x 22 x 1.6 flat washers			
I	8	M8 spring washers			
J	4	M8 hex nuts			
K	4	M8 black hex caps			

Qty		Qty	
	RATCHET & SOCKET SET		HACK SAW
	MASKING TAPE		

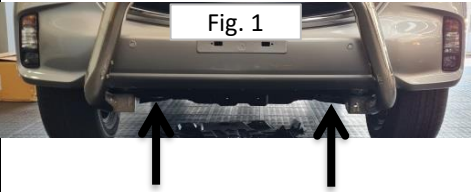
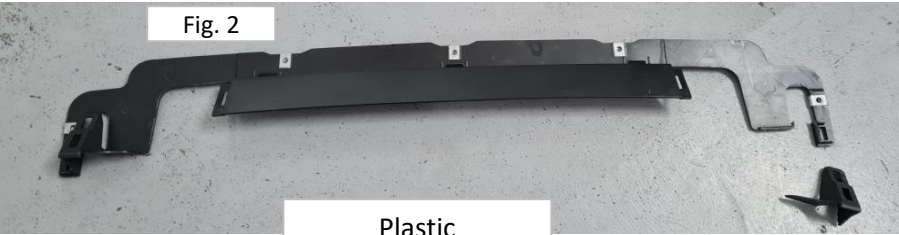

## Precautions during fitment:

Do not cause any damage to the vehicle. Apply masking Tape to the front bumper prevent any scratches. Requires 2 people to fit. Ensure that you are wearing the appropriate PPE during Fitment.

## Directions for use:

Read all instructions carefully before installation

## Fitment Instruction: BT50 Nudge bar

Visual / Graphic Illustration	Step #	Description/Method
<div style="display: flex; flex-direction: column; align-items: center;">  <p style="text-align: center;">Fig. 1</p>  <p style="text-align: center;">Fig. 2</p> <div style="border: 1px solid black; padding: 5px; margin: 10px 0;">Plastic Undercover</div>  <p style="text-align: center;">Fig. 3</p> <div style="border: 1px solid black; padding: 5px; margin: 10px 0;">Plastic Side Undercovers (PS &amp; DS) <i>These covers are Trimmed (Trimming Instructions on next Page)</i></div> </div>	<p style="font-size: 2em;">1</p>	<p>Remove Front Plastic Under cover and Side Under Covers as shown in Figure 1, Figure 2 &amp; Figure 3.</p>

## Fitment Instruction: BT50 Nudge bar

Visual / Graphic Illustration

Fig. 4

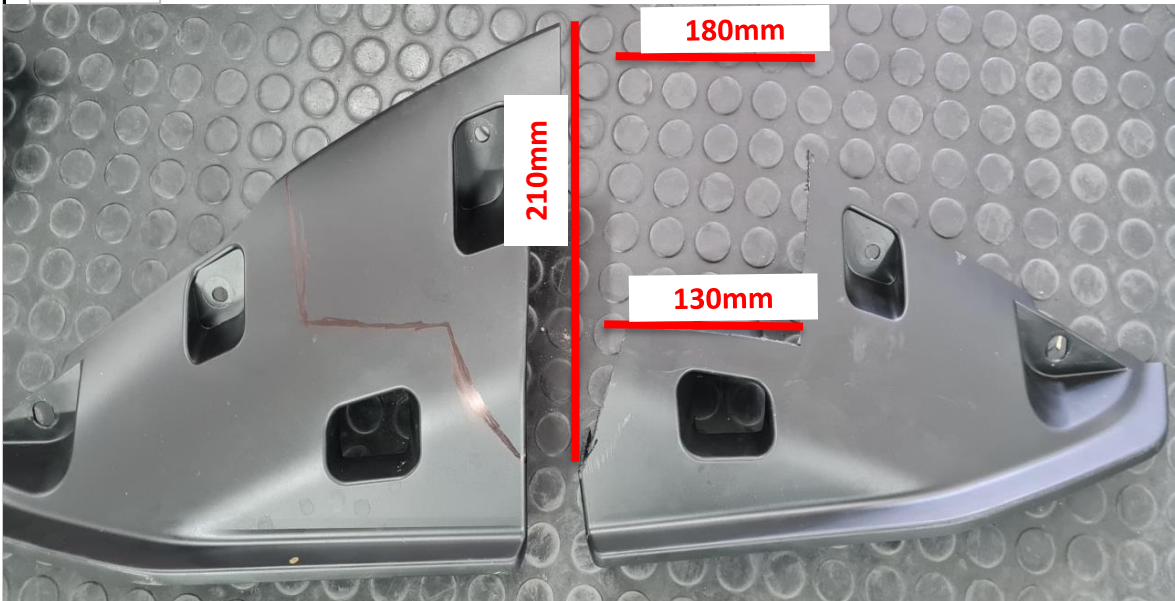


Fig. 5



Step #

Description/Method

2

Locate Driver's Side Front Mud Cover as shown in Figure 4 & Figure 5.

3

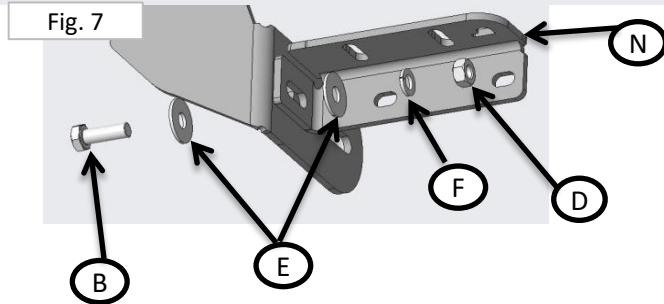
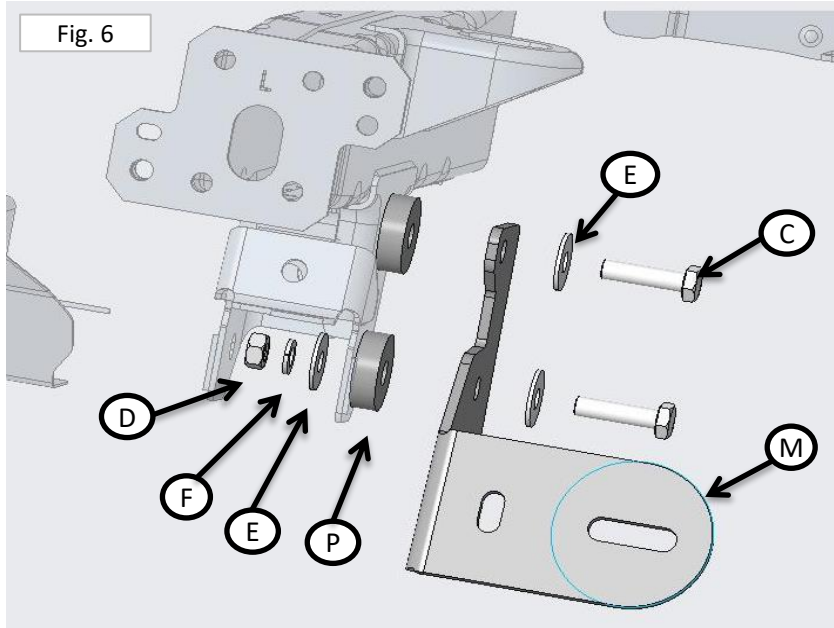
Trim Front coverS as shown in Figure 4 & 5.

4

Do the same to the passenger side of vehicle

## Fitment Instruction: BT50 Nudge bar

Visual / Graphic Illustration



Step #	Description/Method
5	Locate PS Mounting Position on Chassis as shown in Figure 6
6	Fit PS Brackets with markings "P" as shown in Figure 6, Figure 7. Do not fully tighten yet.

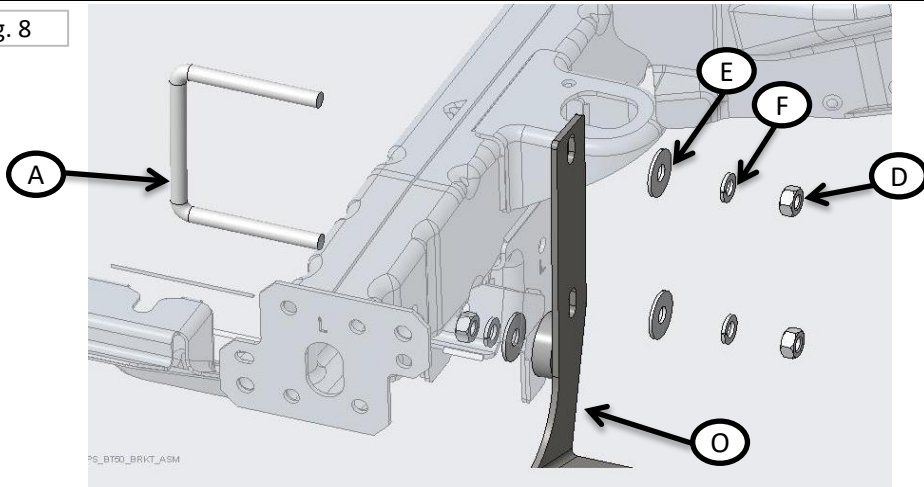
## Fitment Instruction: BT50 Nudge bar

Visual / Graphic Illustration

Step #

Description/Method

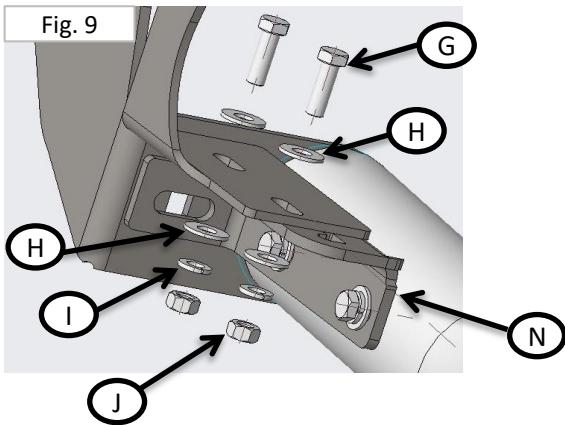
Fig. 8



7

Fit bracket "O" using the U bolt to the chassis s shown in Fig 8 and attach the bottom to Bracket N Using the M8 hardware as shown in Figure 9.

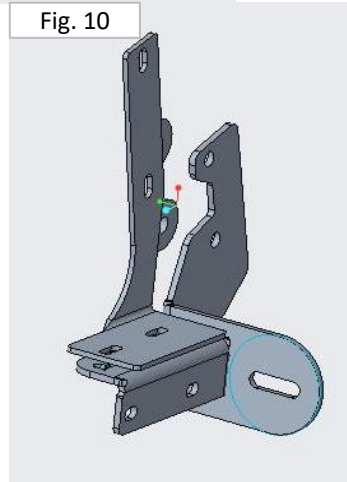
Fig. 9



8

Figure 10 shows bracket assembly

Fig. 10



Now mount the Drivers side following the same process as above



## Fitment Instruction: BT50 Nudge bar

Visual / Graphic Illustration

Fig. 11

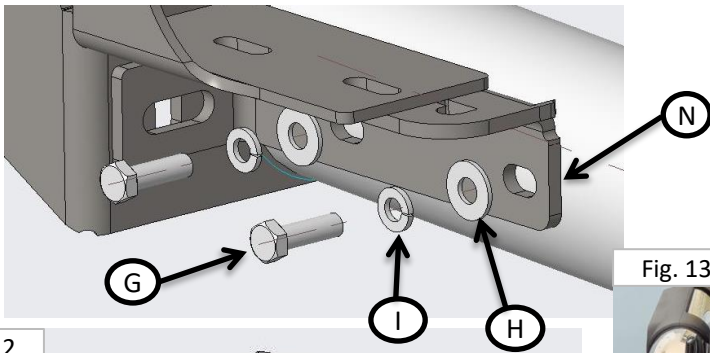


Fig. 12

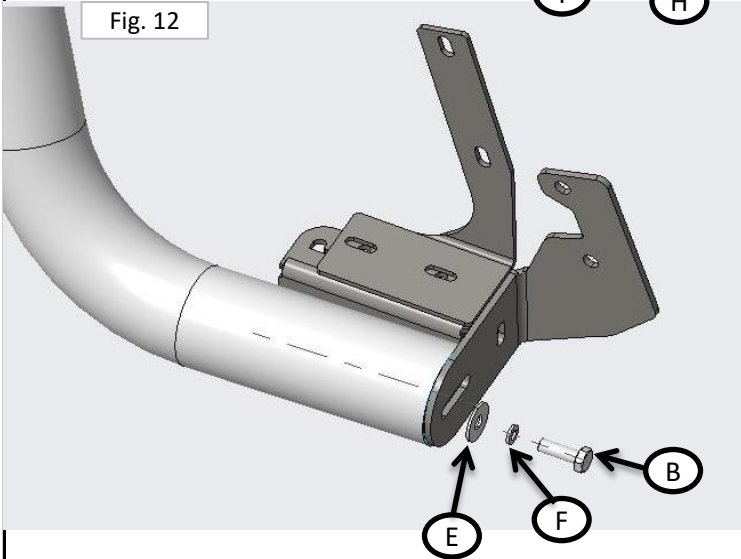


Fig. 13



Step #

Description/Method

Once you have both side brackets mounted proceed to step 9 below

9

Place Nudge bar to brackets and assemble as shown in Figure 11 & 12.

11

Ensure Nudge is centre and lift Nudge bar so there is a 10-12mm gap ( Figure 13) between bar and bumper then fully tighten.

## Final step

Page 7 of 7

Make sure bar is centralised and tighten all fasteners to specified torque. M8= 22Nm , M10= 42Nm , M6= 9Nm.

