

Fitment Instruction: Ford Ranger Nudge Bar

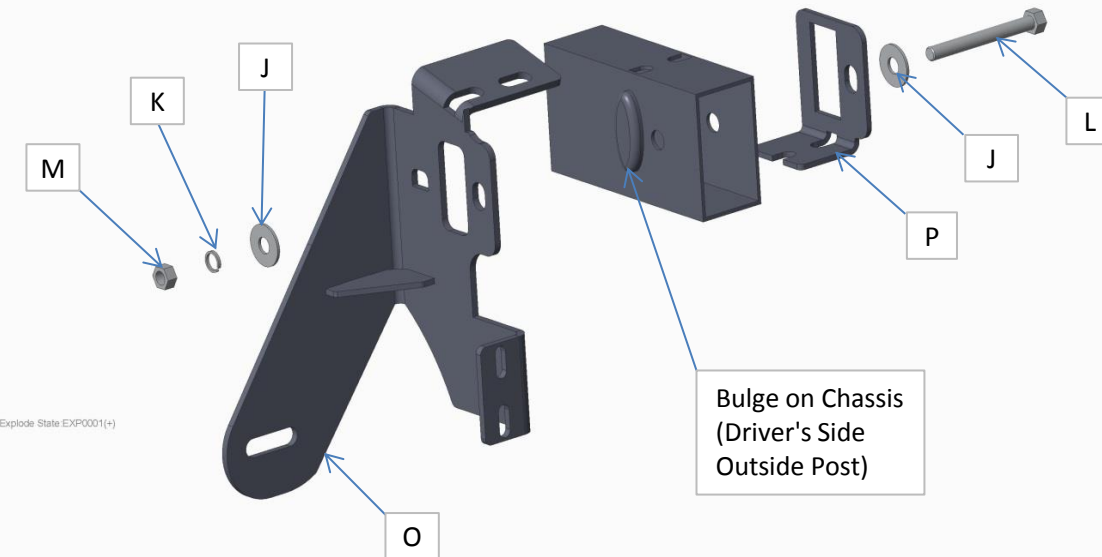
Visual / Graphic Illustration

Figure A



Note: remove steel sump plate and slide plastics aside (Figure A) before starting fitment . Replace when done.

Figure 1



Step No.

Description/Method

1

Place the driver's side Mounting Bracket to the outside of the chassis and the U-Bolt Clamp Bracket to the inside of the chassis on the driver's side of the vehicle as shown in Figure 1.

2

Insert the Fasteners as shown in Figure 1. Do not tighten fully.

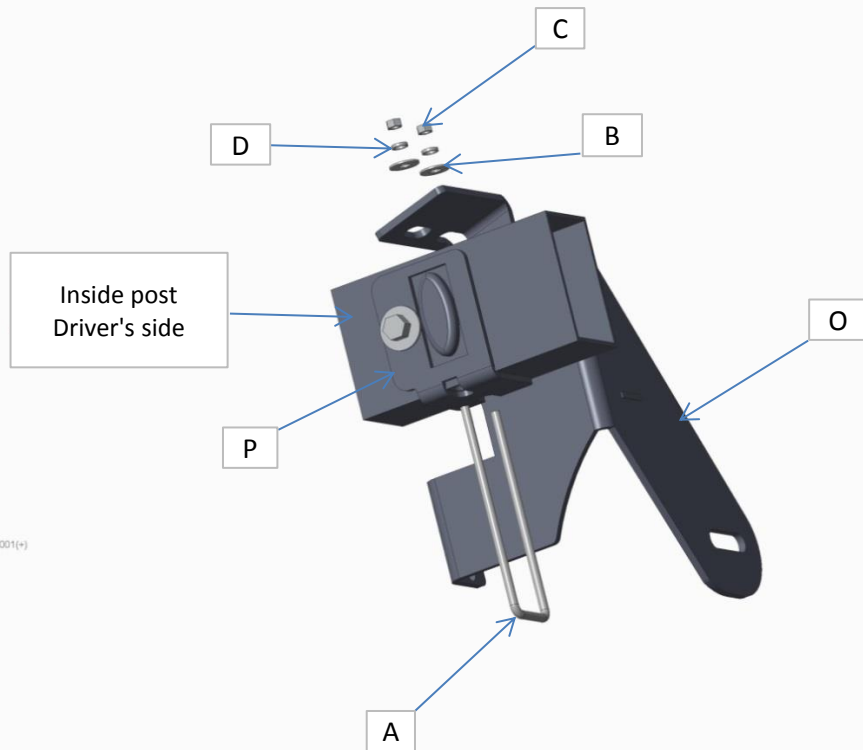
Fitment Instruction: Ford Ranger Nudge Bar

Visual / Graphic Illustration

Step No.

Description/Method

Figure 2



Step 3

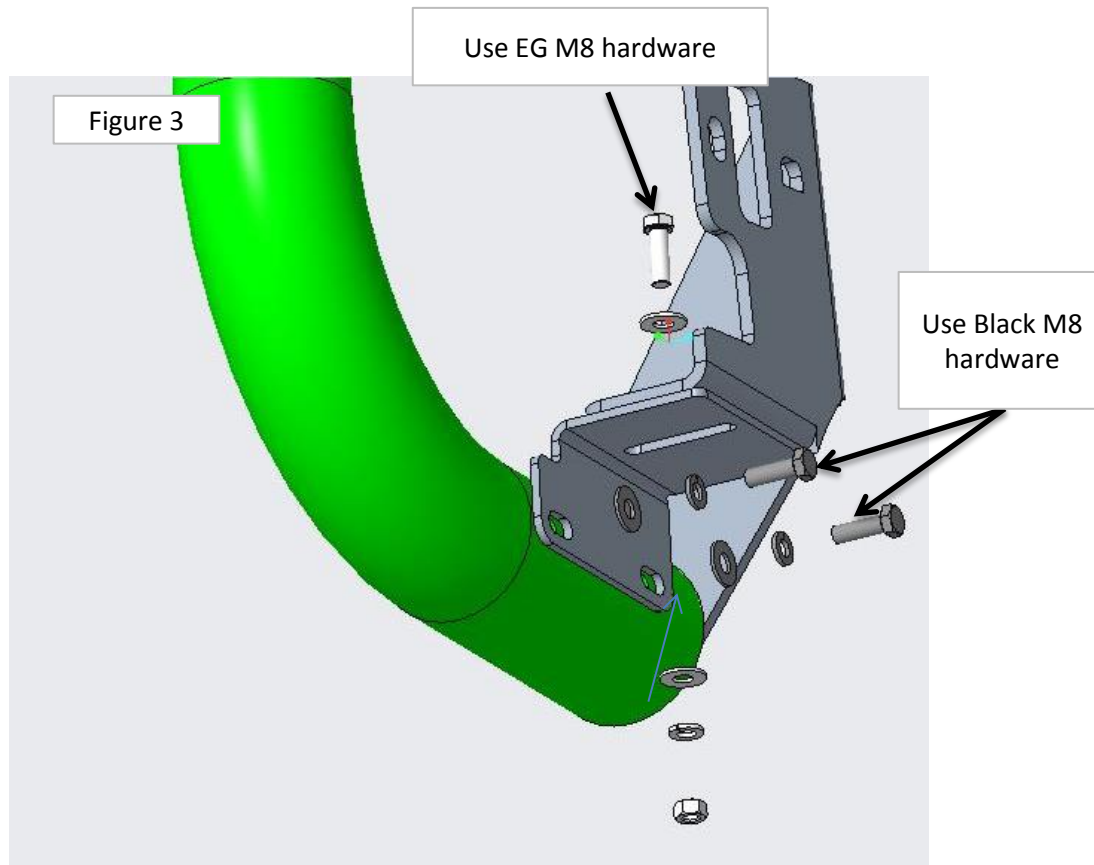
Insert the U-Bolt into the holes at the bottom of the Chassis all the way through as shown in Figure 2.

Step 4

Insert Fasteners as shown in Figure 2.

Fitment Instruction: Ford Ranger Nudge Bar

Visual / Graphic Illustration



Step No.

Description/Method

Step 5

Place the Nudge Bar Bottom Mount Bracket as shown in Figure 3, then insert the fasteners as shown in Figure 3. Do not tighten fully.

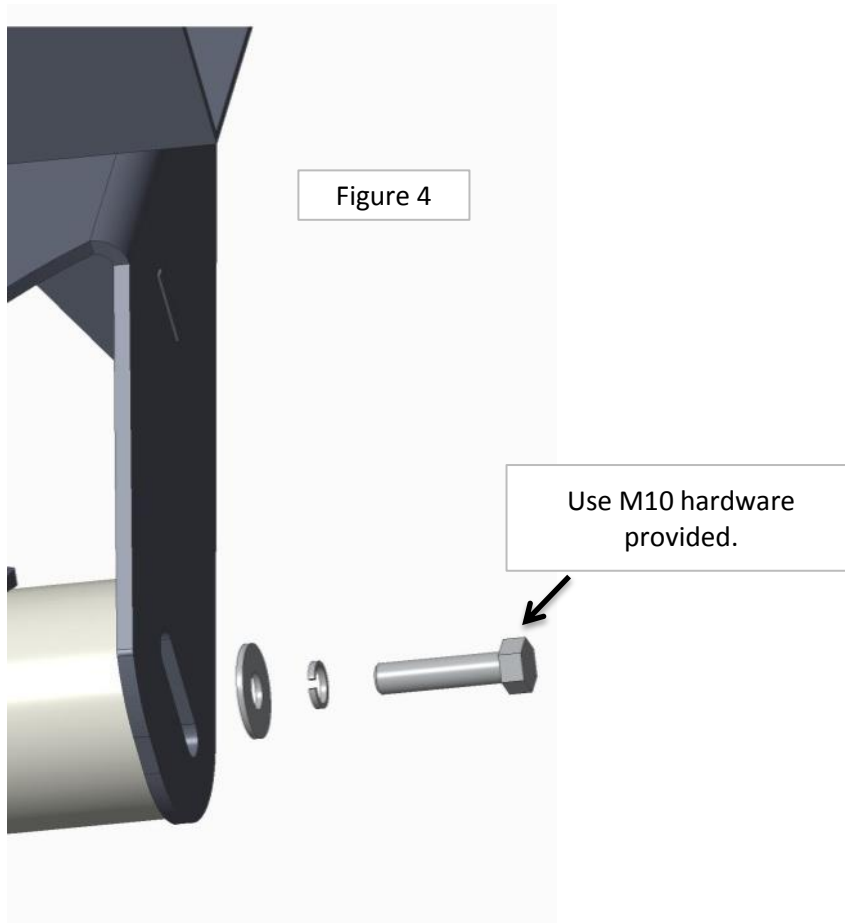
Step 6

Repeat steps 1 to 5 on the passenger side of the vehicle.

Fitment Instruction:

Ford Ranger Nudge Bar

Visual / Graphic Illustration



Step No.

Description/Method

Step 7

Place the Nudge Bar against the Chassis Mount Bracket and insert fasteners as shown in Figure 4. Do not tighten fully.

Make sure bar is centralised and tighten all fasteners to specified torque. M8= 22Nm , M10= 42Nm , M6= 9Nm.

