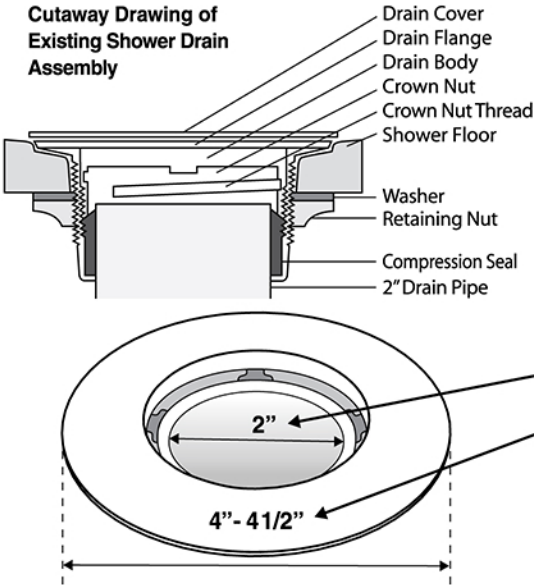


# BEFORE YOU START FOLLOW THE CHECK LIST BELOW



## WINGTITE CHECK LIST

1. See how it works. Watch the video at [wingtite.com](http://wingtite.com) before you begin. ✓
  2. WingTite is for fiberglass & plastic showers including: acrylic, cultured marble and composites. **WARNING:** Not for tile shower floors. ✓
- Check your shower drain assembly measurements:**
3. Drain pipe inside diameter 2" (white PVC or black ABS) ✓
  4. Drain flange diameter 4"-4 1/2" ✓
  5. If your drain appears different, we can help. Call our Tech Support 805-927-1753. ✓

### Recommended Tools and Material

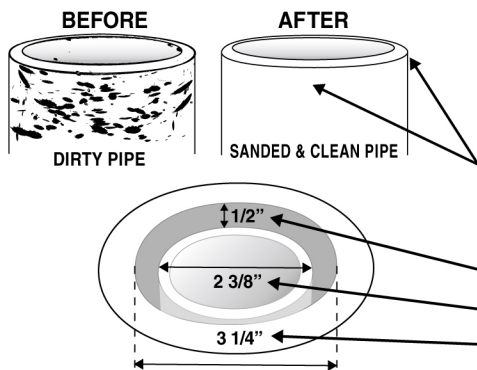


### Removal of Existing Shower Drain Body

Instrucciones en español en YouTube: [tinyurl.com/wingtite-spanish](http://tinyurl.com/wingtite-spanish)

1. Remove drain cover with flat blade screwdriver.
2. Remove the crown nut by unthreading it using needle nose pliers.
3. Extract the compression seal exposing drain pipe and shower drain body.
4. With mini hacksaw, make two vertical cuts approximately 1" apart through drain body. Cut completely through drain body without cutting into shower pan or damaging drain pipe.
5. Continue cutting horizontally through drain flange to weaken it, but not deep enough to damage the shower pan.
6. Once horizontal drain flange is cut, use flat blade screwdriver to pry up 1" flange to break it free from the shower pan.
7. Remove the 1" width of drain body from shower pan.
8. Squeeze the remaining shower drain to collapse it. The retaining nut and washer drop down, staying below the shower pan.
9. Remove shower drain from pan. Clean shower floor around the drain hole to ensure new drain adhesion, and clean below to allow unrestricted wing movement.

# WINGTITE INSTALLATION INSTRUCTIONS



## PRE-INSTALLATION CHECK LIST

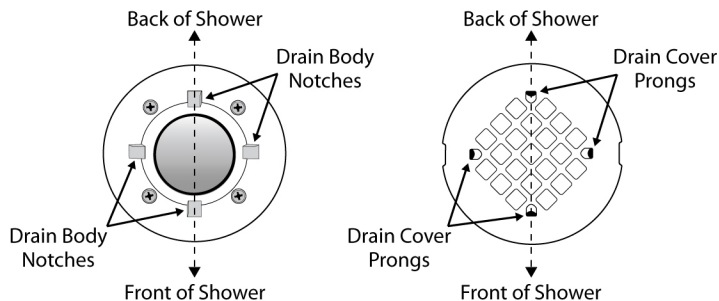
1. See how it works. Watch the video at [wingtite.com](http://wingtite.com) before you begin. ✓  
**Before you install prepare your drain pipe, also measure the drain pipe & shower pan.**
  2. Sand outer top edge of pipe to remove all burrs and sharp edges. This protects the O-ring, allowing it to easily slip over the pipe. Clean outside of pipe for a good O-ring seal. Inspect pipe for any irregularities. Pipe must be smooth! ✓
  3. Top of the pipe must be approximately 1/2" from the shower floor ✓
  4. Drain pipe outside diameter must be 2 3/8" ✓
  5. The minimum shower pan hole diameter must be 3 1/4" ✓
- Note: If your drain appears different, we can help. Call our Tech Support 805-927-1753.

## WingTite Installation Instructions

Instrucciones en español en YouTube: [tinyurl.com/wingtite-spanish](http://tinyurl.com/wingtite-spanish)

**1 PLEASE, PLEASE, PLEASE! BEFORE YOU INSTALL READ STEPS 2-8 THOROUGHLY.** How well you follow these instructions determines the success of your installation.

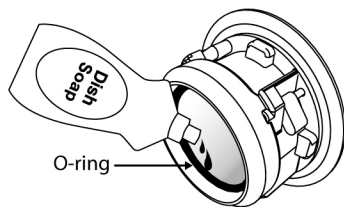
**2** To ensure your shower drain cover is straight and attractive when installed, square up your drain first by using the drain body notches as guides. Visually align drain body with front and back of shower pan.



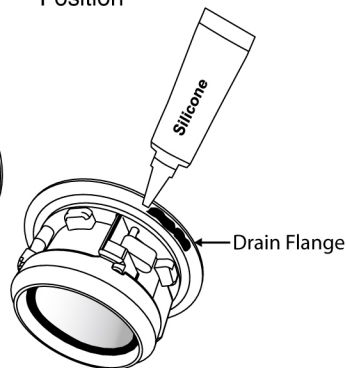
**3** The four fastening wings must be against drain body at time of insertion into shower pan. Push wings against the drain body.



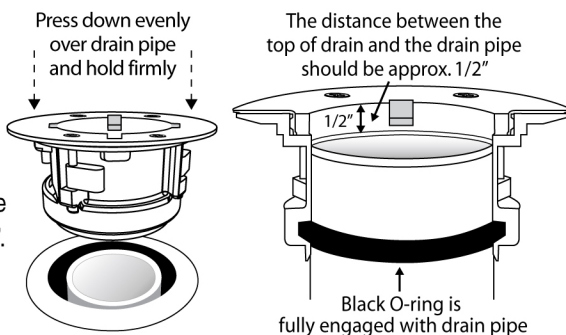
**4** Apply liquid dish soap to O-ring as lubricant. Coat entire O-ring.



**5** Apply a generous amount of 100% silicone sealant to underside of drain flange. Coat underside completely.



**6** \*See drawings to the right. ⇔ Insert drain into shower pan pressing evenly over drain pipe. Once drain makes contact with shower pan, check the distance between the top of the drain and the drain pipe, it should be approx. 1/2". Hold drain firmly in place.



**7** Tighten all four Phillips head screws evenly until drain is secure in pan. **Be patient, may take up to 20 turns** to securely tighten "wings" under shower pan.

**NO POWER TOOLS!  
DO NOT OVER TIGHTEN!**



**8** Clean excess silicone from drain and pan with rag. Install shower drain cover.



**Questions???**  
**Call us, we are here to help.**

**WingTite Tech Support:**  
**805-927-1753**  
**Mon-Fri 10am-4pm (PST)**



PlumbRite Mfg. Inc. Cambria, CA 93428

[sales@wingtite.com](mailto:sales@wingtite.com)

[wingtite.com](http://wingtite.com)

MADE & PATENTED IN USA