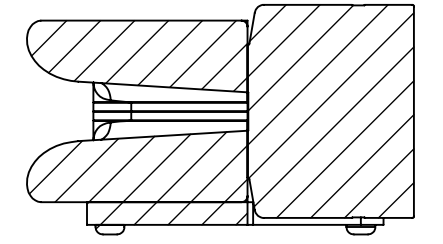
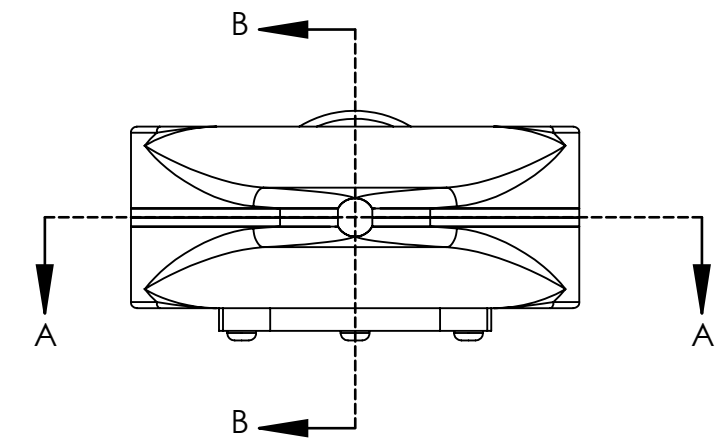
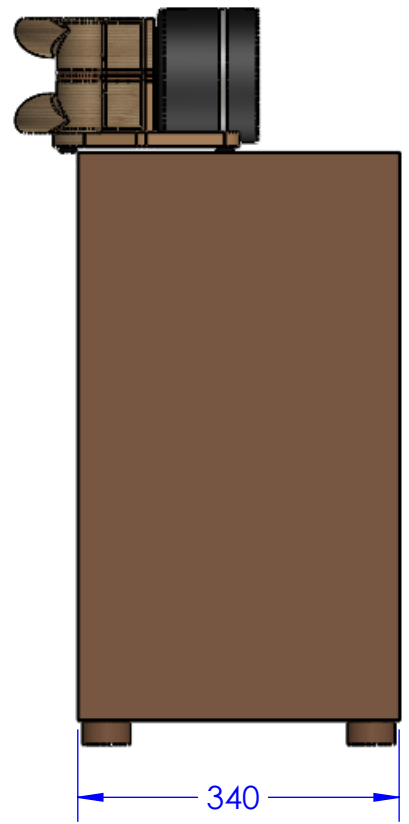
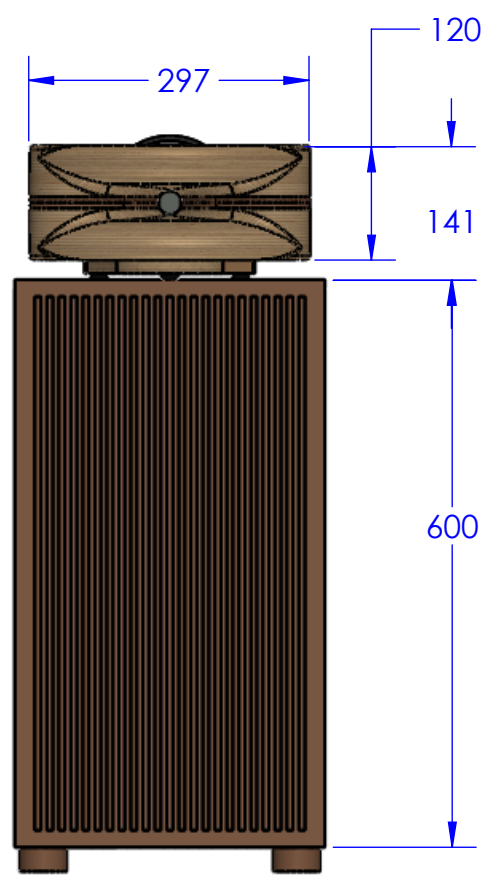


SECTION A-A  
SCALE 1 : 5



SECTION B-B  
SCALE 1 : 5

ES-800 Bi-Radial			
SHEET 1 OF 1	DWG. NO.	1054	
	MATERIAL		
	FINISH		
PROPRIETARY THE INFORMATION CONTAINED IN THIS DRAWING IS THE SOLE PROPERTY OF JOSEPH CROWE DIY.	DRAWN	DATE	REV.
	Joseph Crowe	7/22/2019	AC
	SCALE:1:10	DRAWING SIZE ANSI B	

