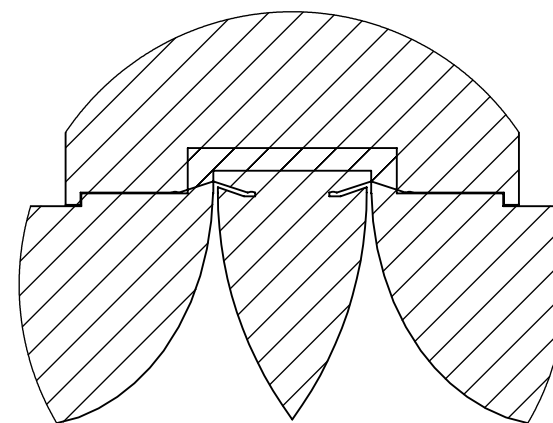


ITEM NO.	PART NUMBER	QTY.
1	2258-01-001	1
2	2474-01-002	1
3	Fostex T90A Main Body	1
4	Fostex T900A Support Dowels	1
5	91290A574 M4 x 0.7 mm Thread, 85 mm Long	3
6	94645A101 Steel Nylon-Insert Locknut Class	3



DETAIL B  
SCALE 1 : 1



HF Assembly

SHEET 2 OF 3

PROPRIETARY

DWG. NO.	2474-01
MATERIAL	--
FINISH	--
DRAWN	Joseph Crowe
DATE	5/5/2024
REV.	00
SCALE:1:2	DRAWING SIZE ANSI B