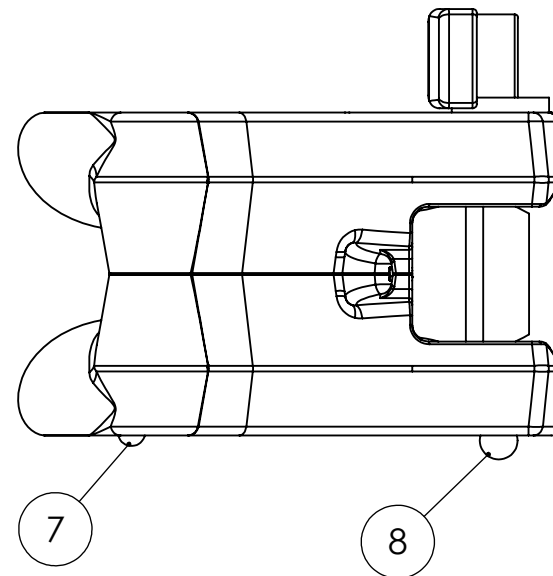
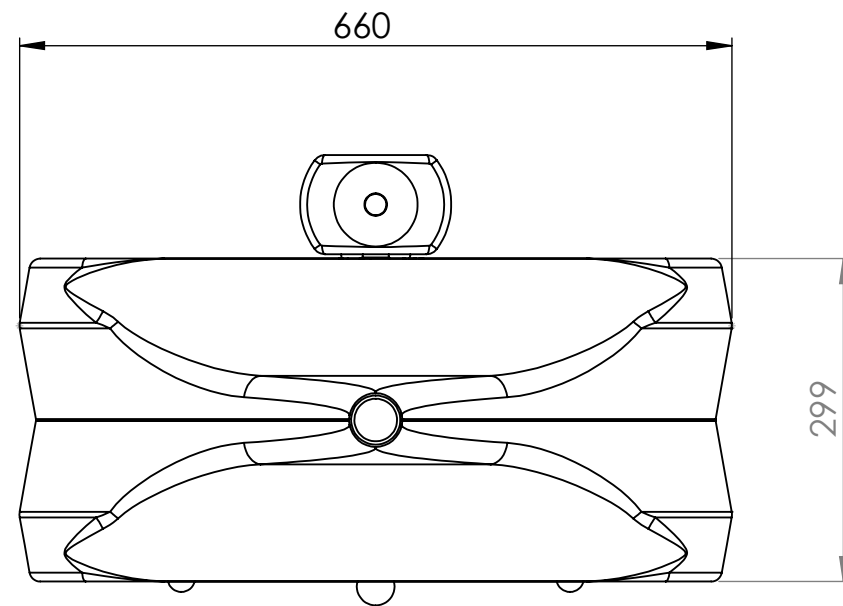
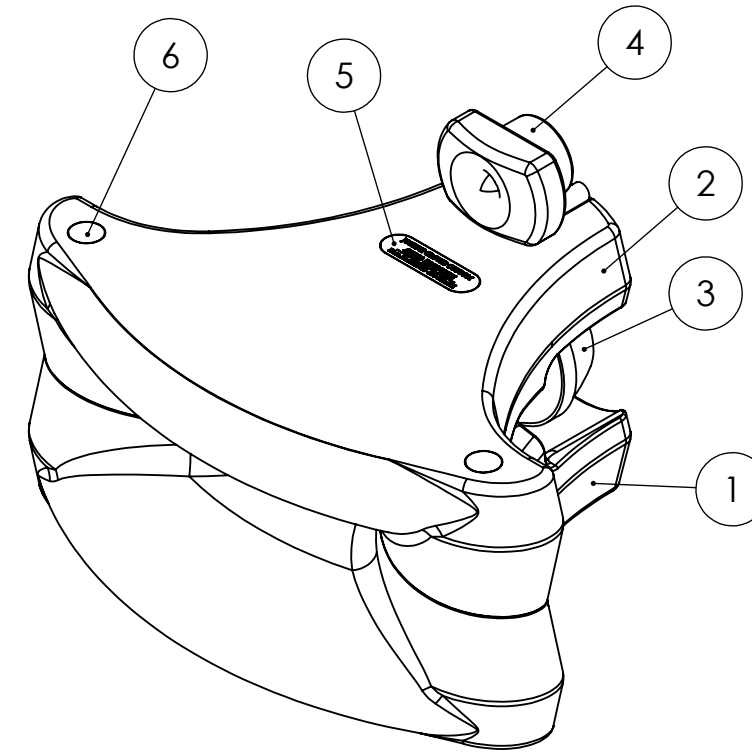
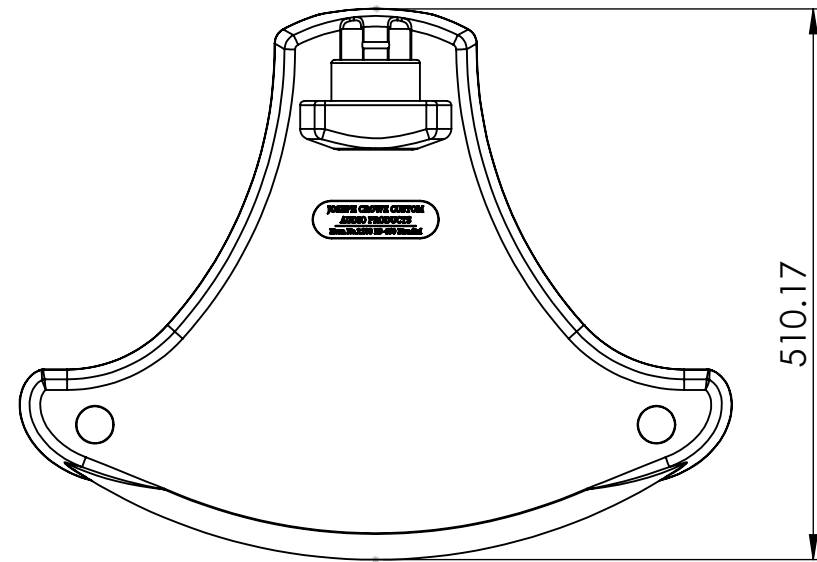


ITEM NO.	PART NUMBER	QTY.
1	2386-01-001-UPPER	1
2	2386-01-001-LOWER	1
3	BnC DCM50	1
4	2258-01	1
5	2386-02-008	1
6	2386-02-009	2
7	96385K62	2
8	96385K64	1



BASS CABINET			
SHEET 1 OF 1	DWG. NO.	2386-01	
	MATERIAL	--	
PROPRIETARY	FINISH	--	
	DRAWN	DATE	REV.
	Joseph Crowe	1/20/2024	00
SCALE:1:10 DRAWING SIZE ANSI B			

