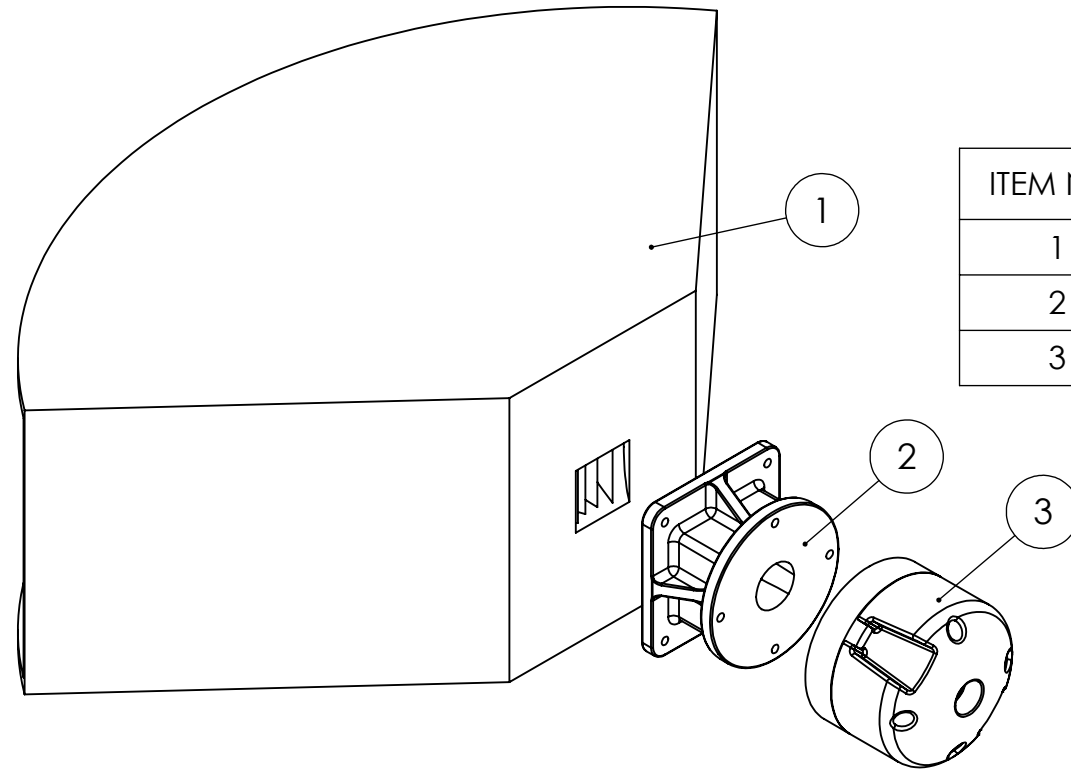
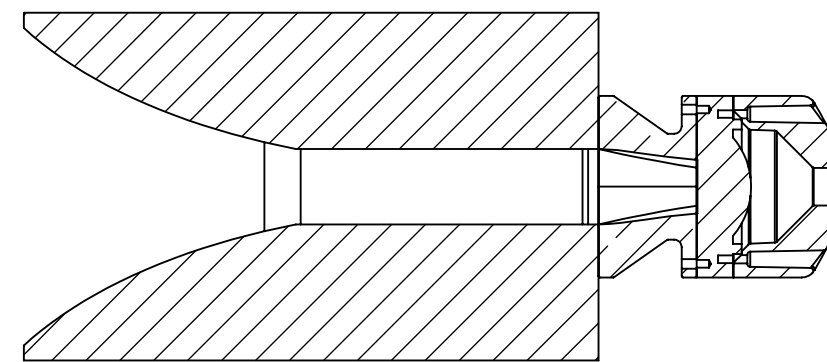
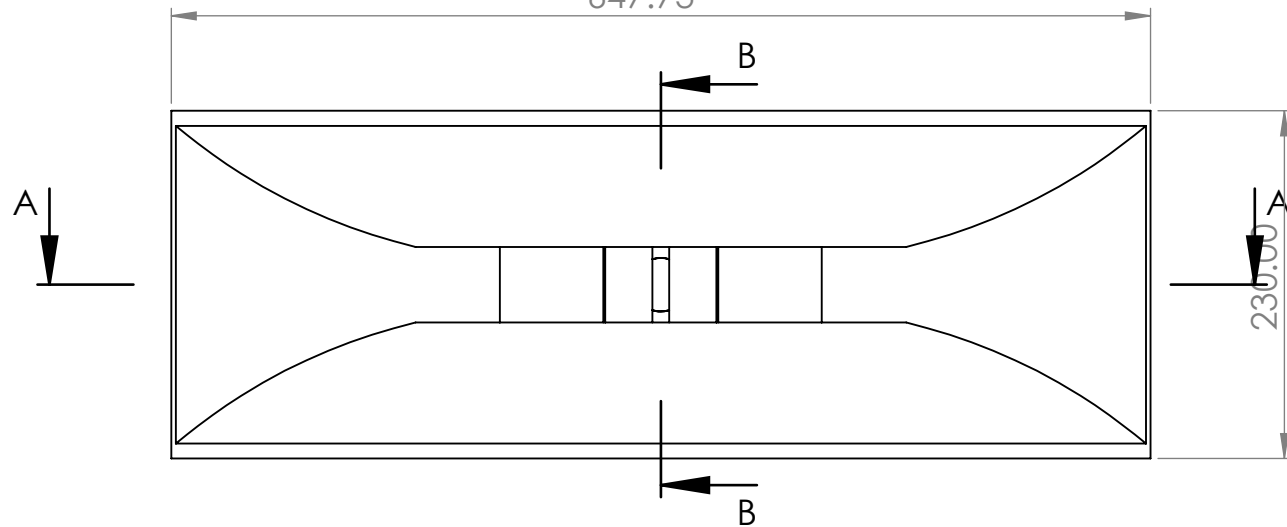


SECTION A-A
SCALE 1 : 5
647.73



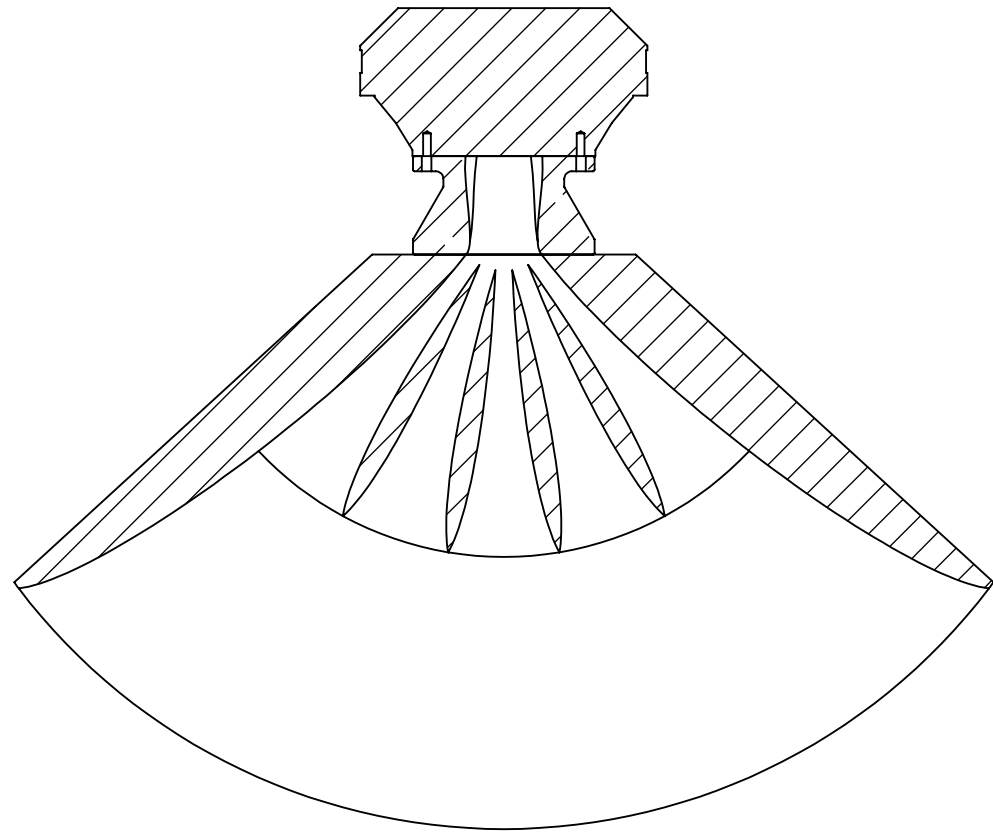
ITEM NO.	SW-File Name (File Name)	QTY.
1	2322-01-001	1
2	2322-01-002-1.40	1
3	2376-01-01	1



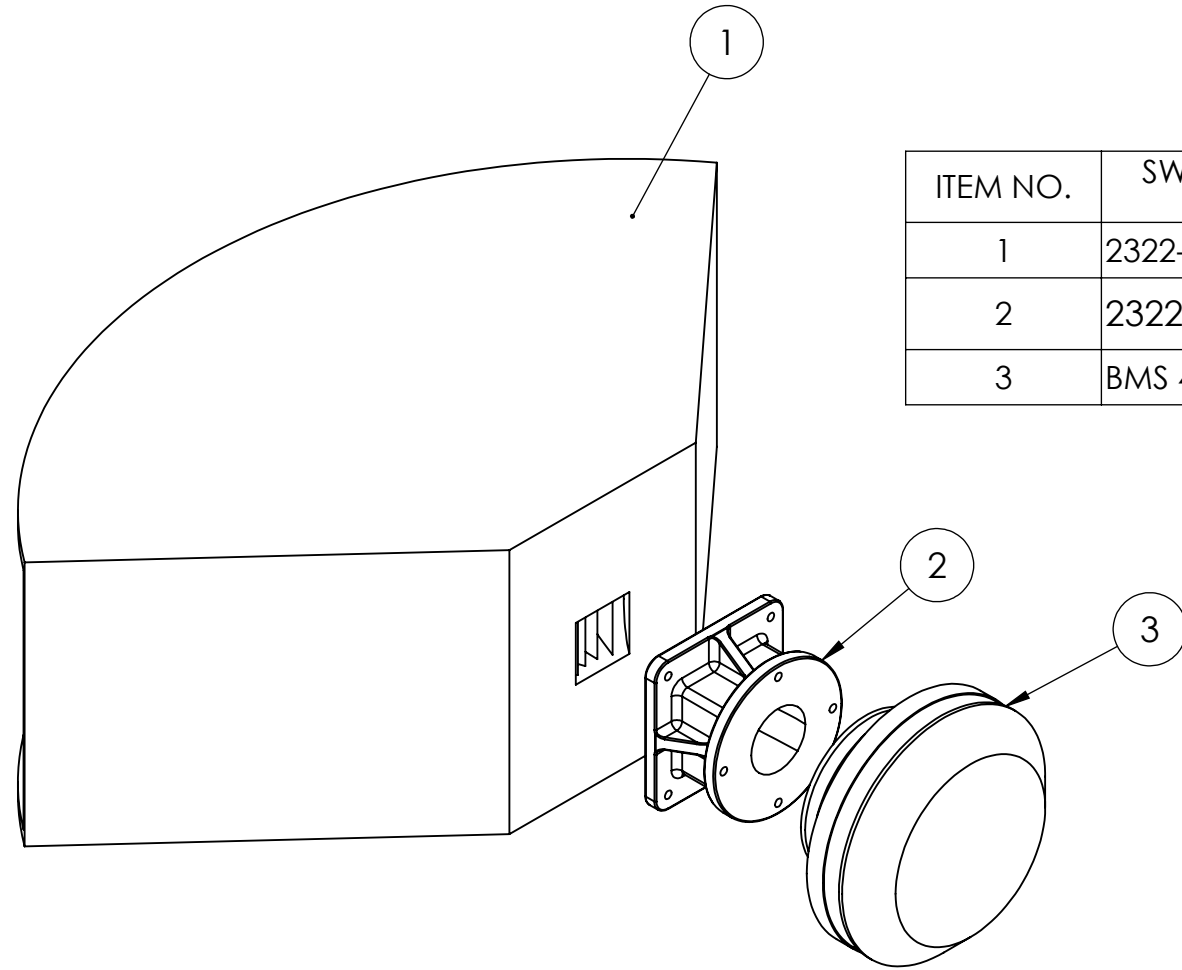
SECTION B-B
SCALE 1 : 5



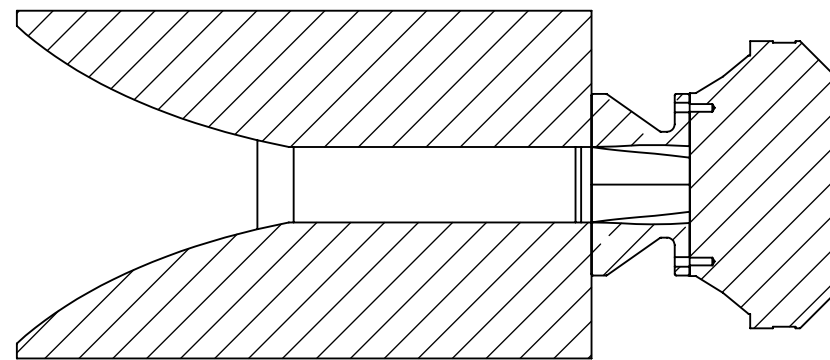
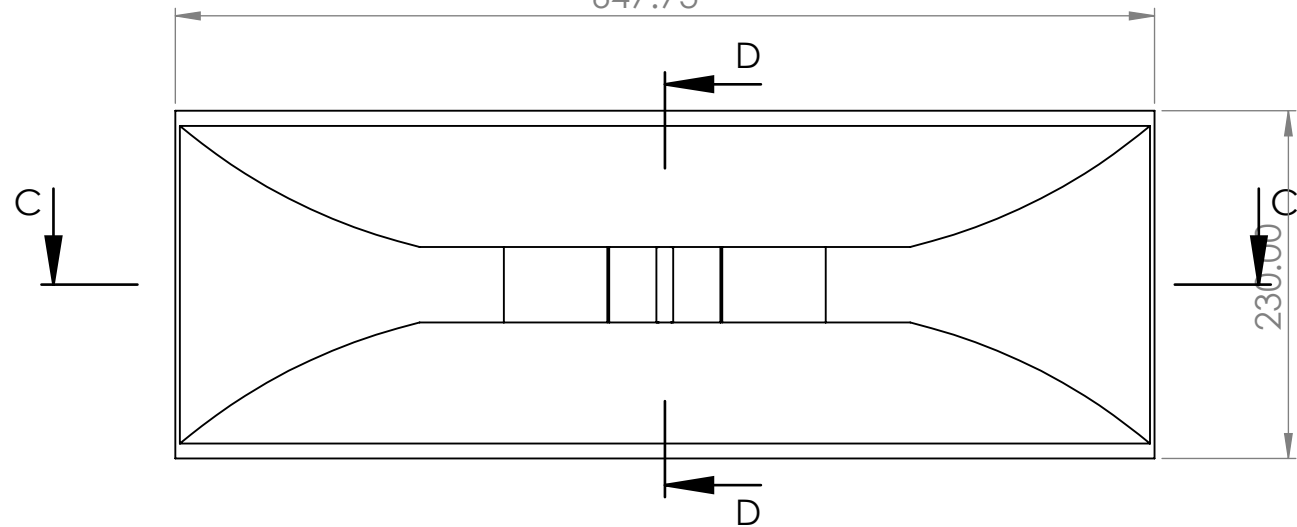
BASS CABINET			
SHEET 1 OF 4	DWG. NO.	2322-01	
	MATERIAL	--	
PROPRIETARY	FINISH	--	
	DRAWN	DATE	REV.
	Joseph Crowe	12/28/2023	00
SCALE:1:10 DRAWING SIZE ANSI B			



SECTION C-C
SCALE 1 : 5
647.73



ITEM NO.	SW-File Name (File Name)	QTY.
1	2322-01-001	1
2	2322-01-002-2.00	1
3	BMS 4590-8	1



SECTION D-D
SCALE 1 : 5

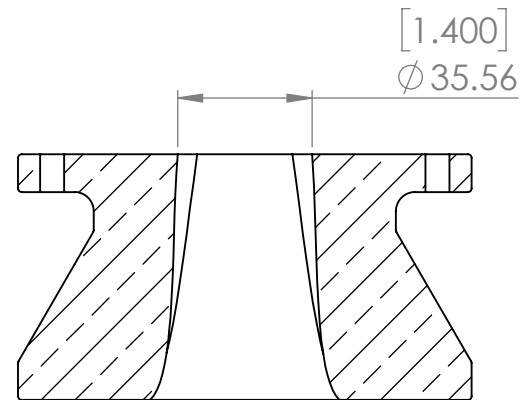
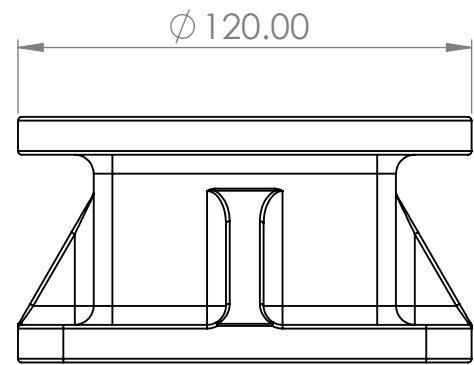
BASS CABINET

SHEET 2 OF 4

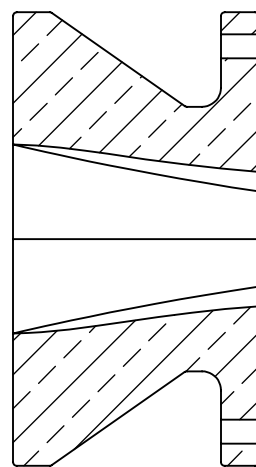
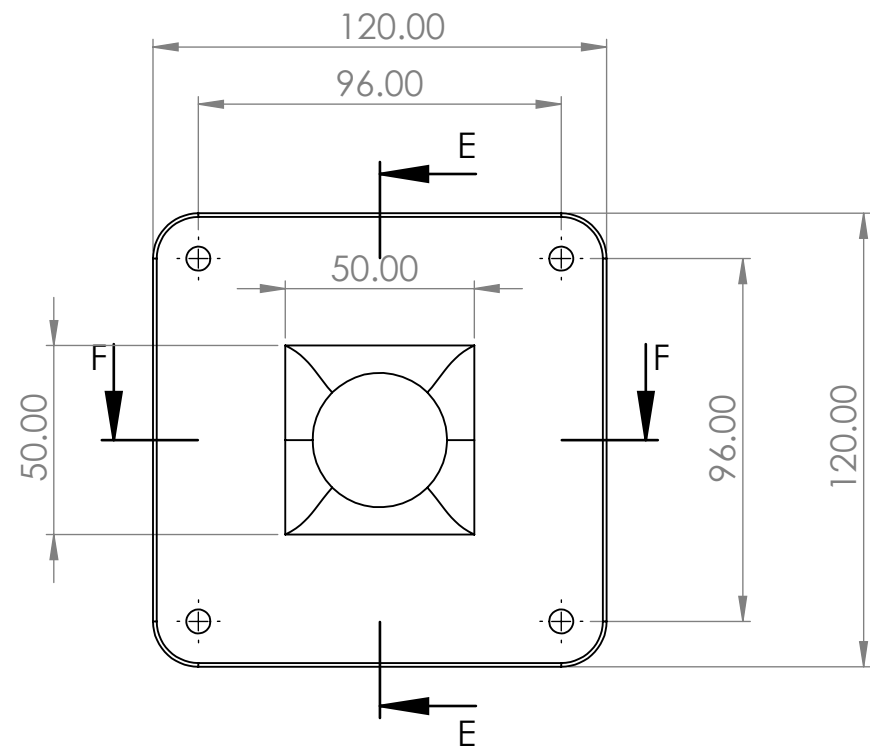
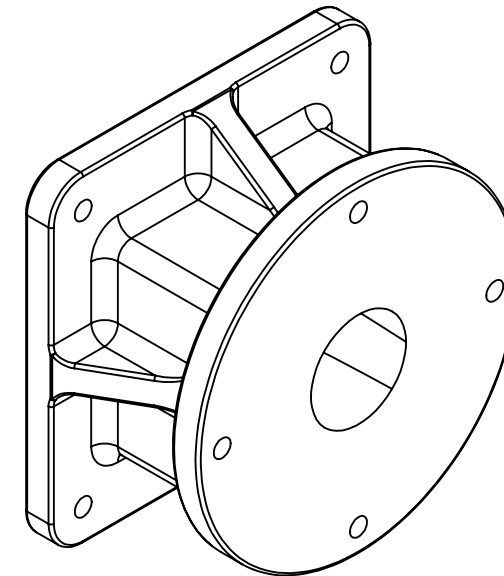
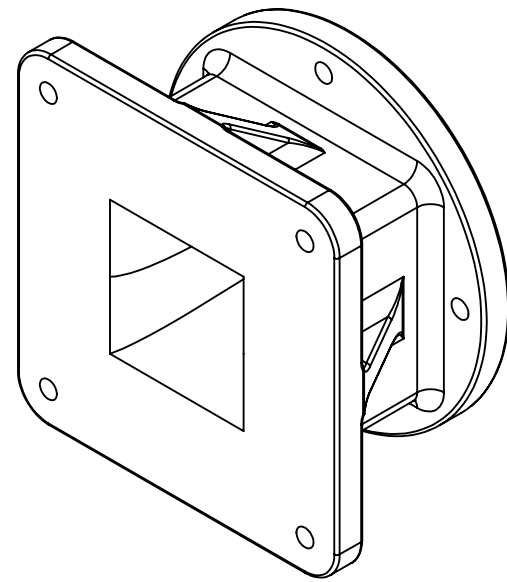
PROPRIETARY

DWG. NO.	2322-01
MATERIAL	--
FINISH	--
DRAWN	Joseph Crowe
DATE	12/28/2023
REV.	00
SCALE:1:10	DRAWING SIZE ANSI B

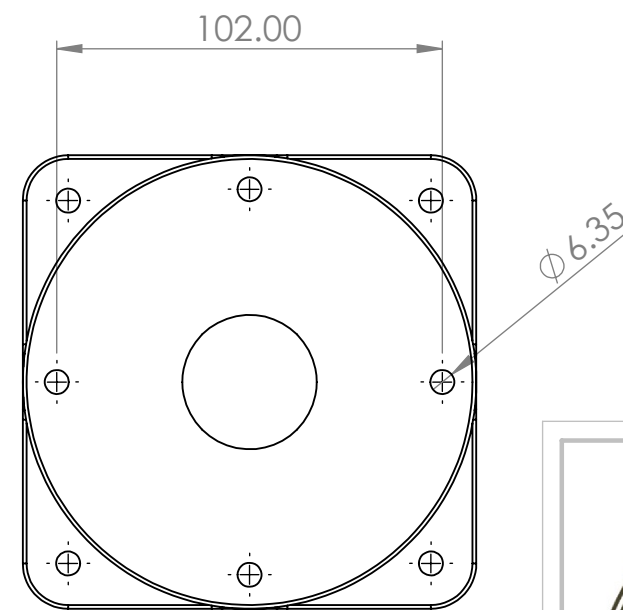
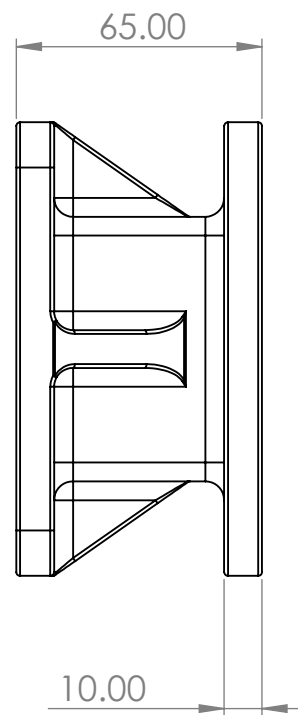




SECTION F-F

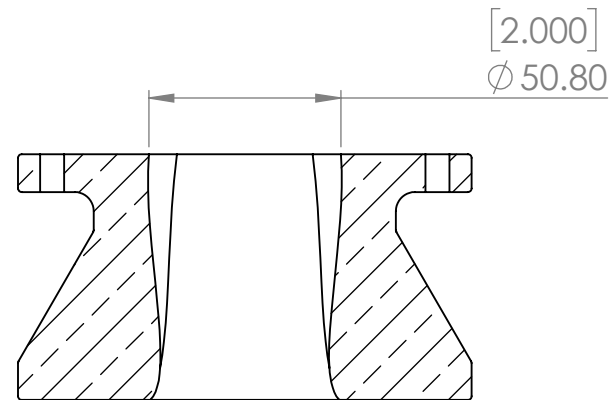
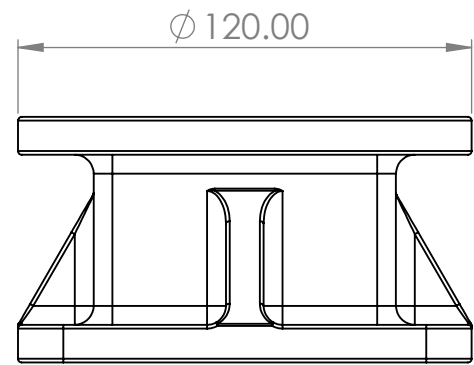


SECTION E-E

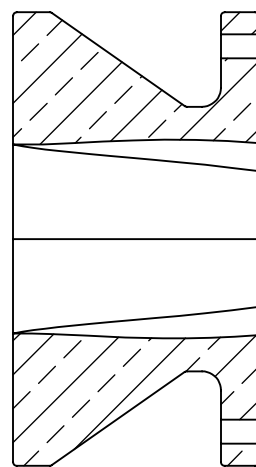
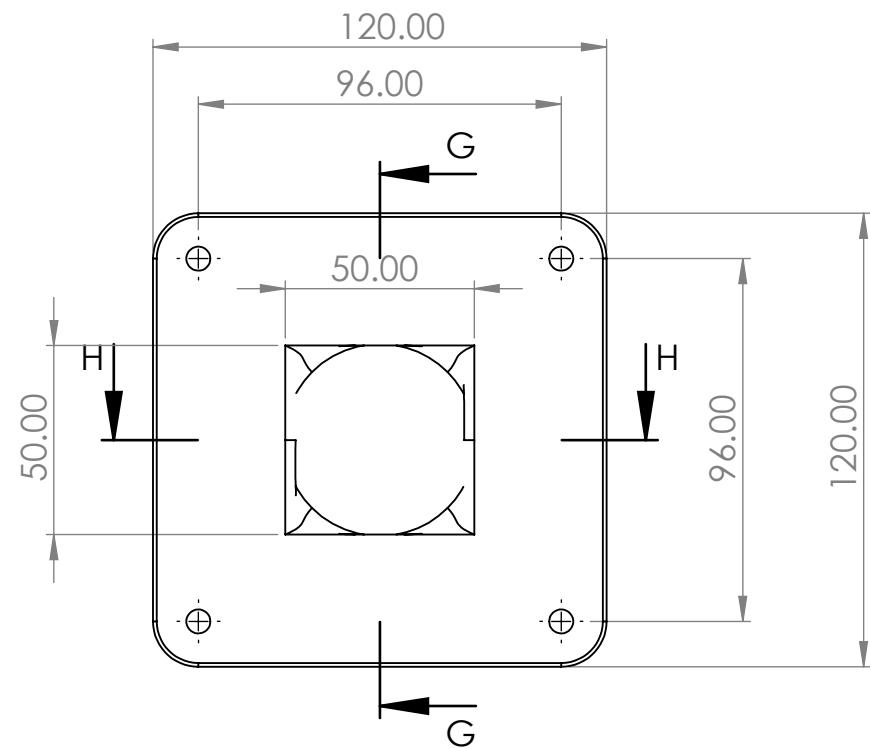
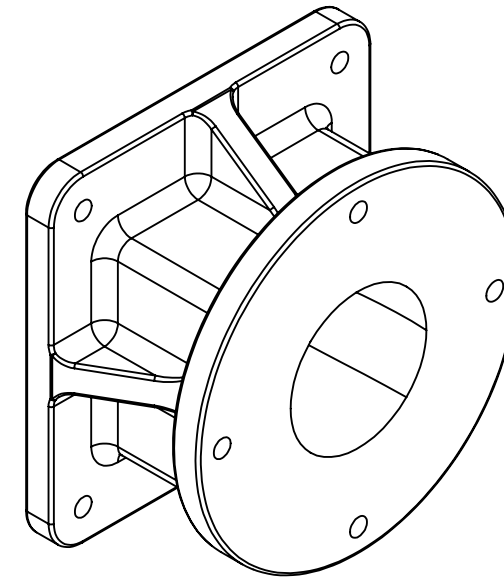
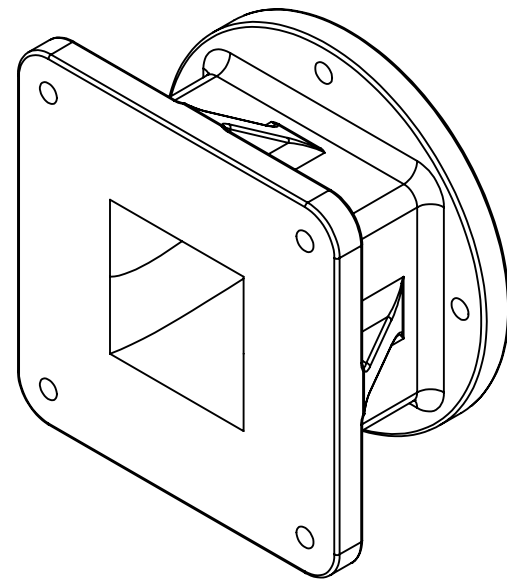


BASS CABINET			
SHEET 3 OF 4	DWG. NO.	2322-01-002	1.40
	MATERIAL	BRASS	
PROPRIETARY	FINISH	---	
	DRAWN	DATE	REV.
	Joseph Crowe	12/28/2023	00
	SCALE:1:2	DRAWING SIZE ANSI B	

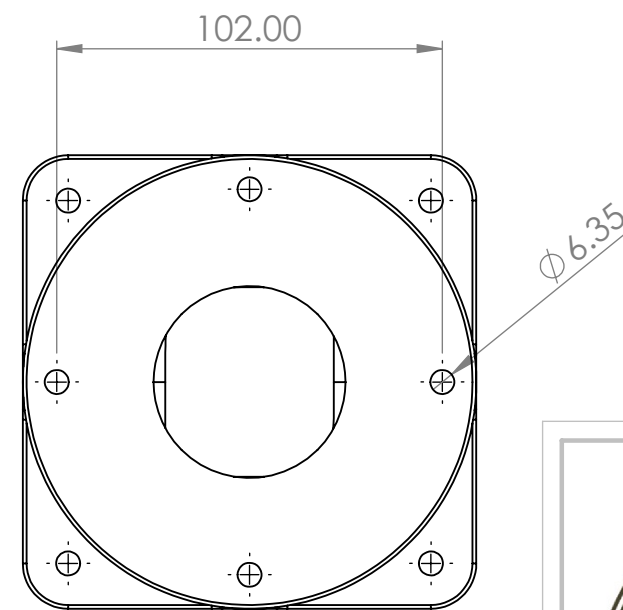
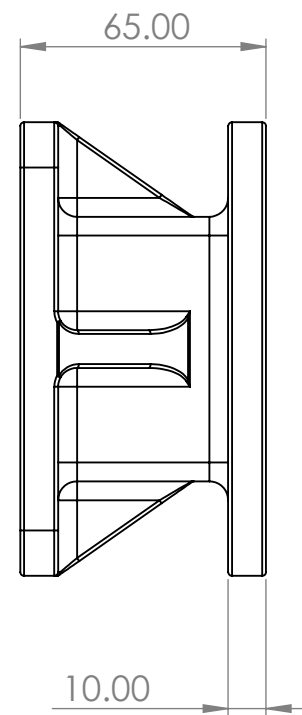




SECTION H-H



SECTION G-G



BASS CABINET			
SHEET 4 OF 4	DWG. NO.	2322-01-002 2.00	
	MATERIAL	BRASS	
PROPRIETARY	FINISH	--	
	DRAWN	DATE	REV.
	Joseph Crowe	12/28/2023	00
	SCALE:1:2	DRAWING SIZE ANSI B	

