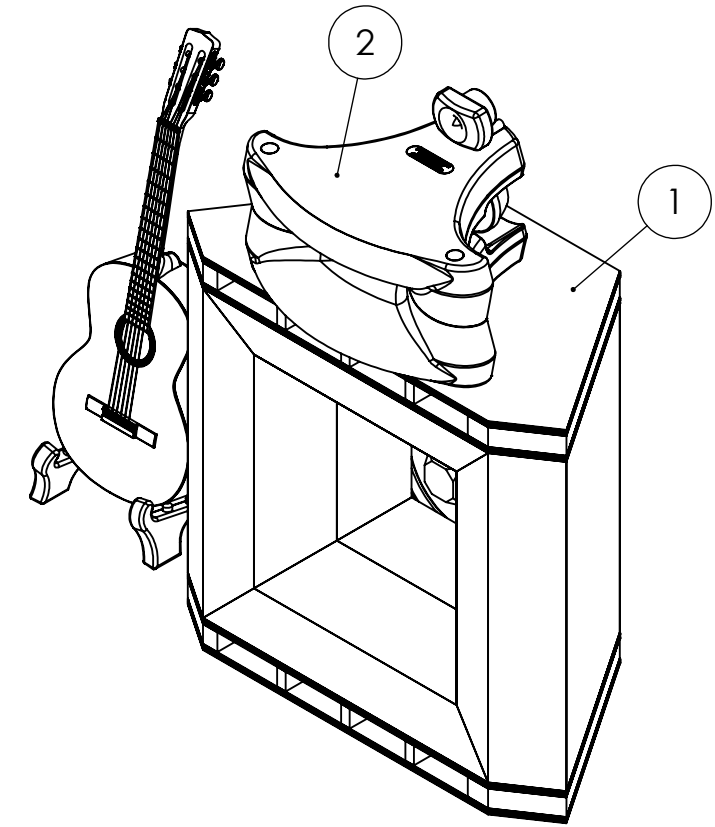
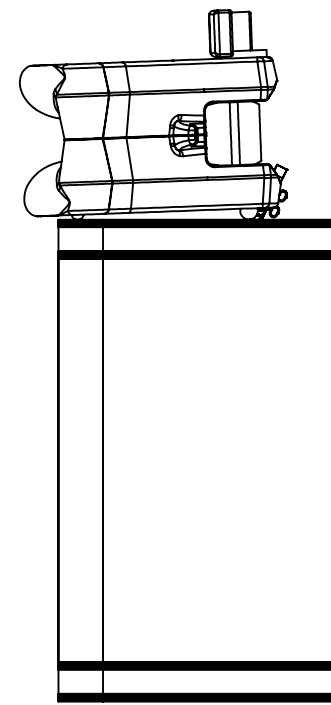
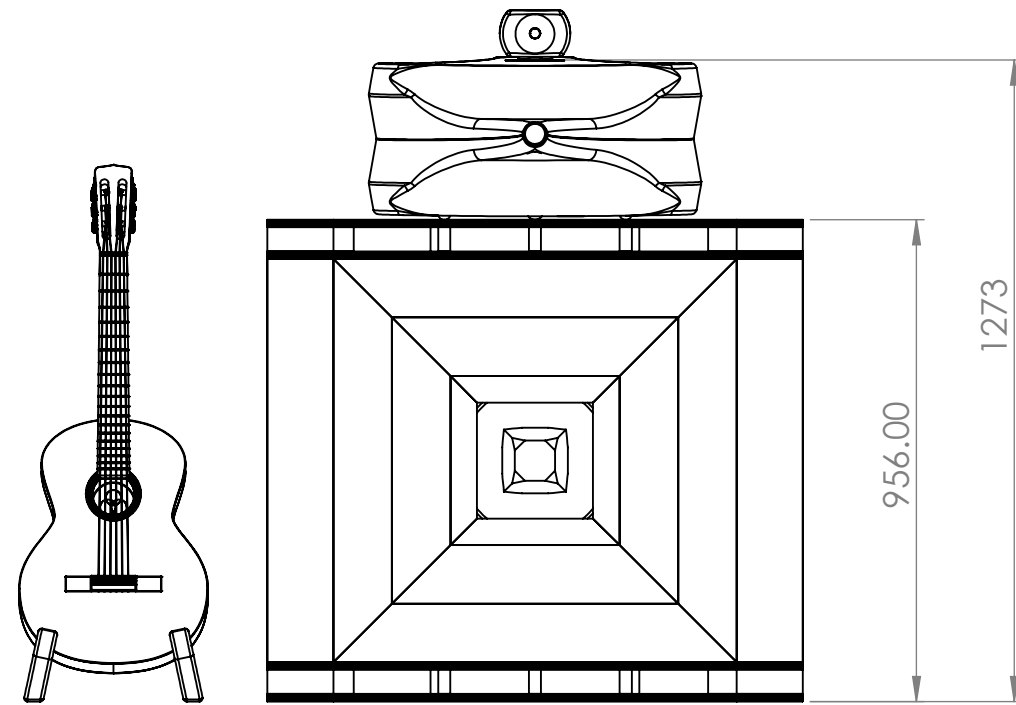
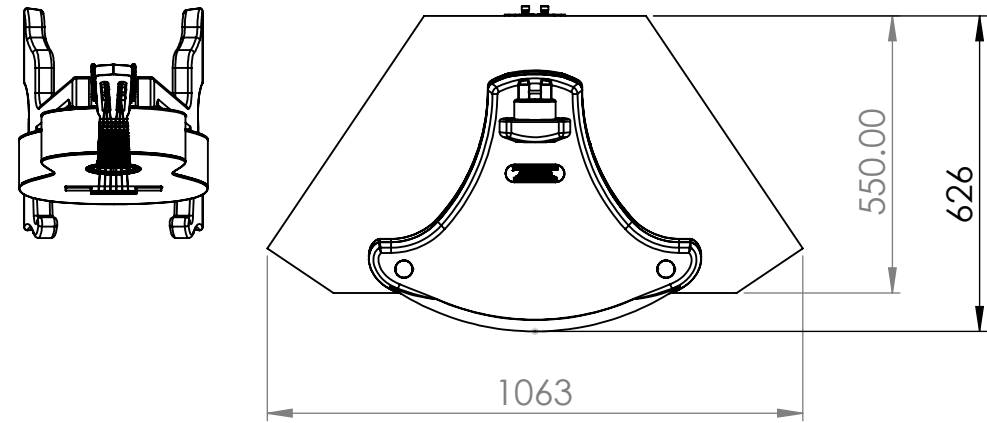


ITEM NO.	PART NUMBER	DESCRIPTION	QTY.
1	1798-01	BASS CABINET	1
2	2386-01	ES90 BIRADIAL	1



SPEAKER SYSTEM NO.2087			
SHEET 1 OF 1	DWG. NO.	2087	
	MATERIAL	---	
PROPRIETARY	FINISH	---	
	DATE	1/20/2024	REV. 00
SCALE:1:20 DRAWING SIZE ANSI B			

