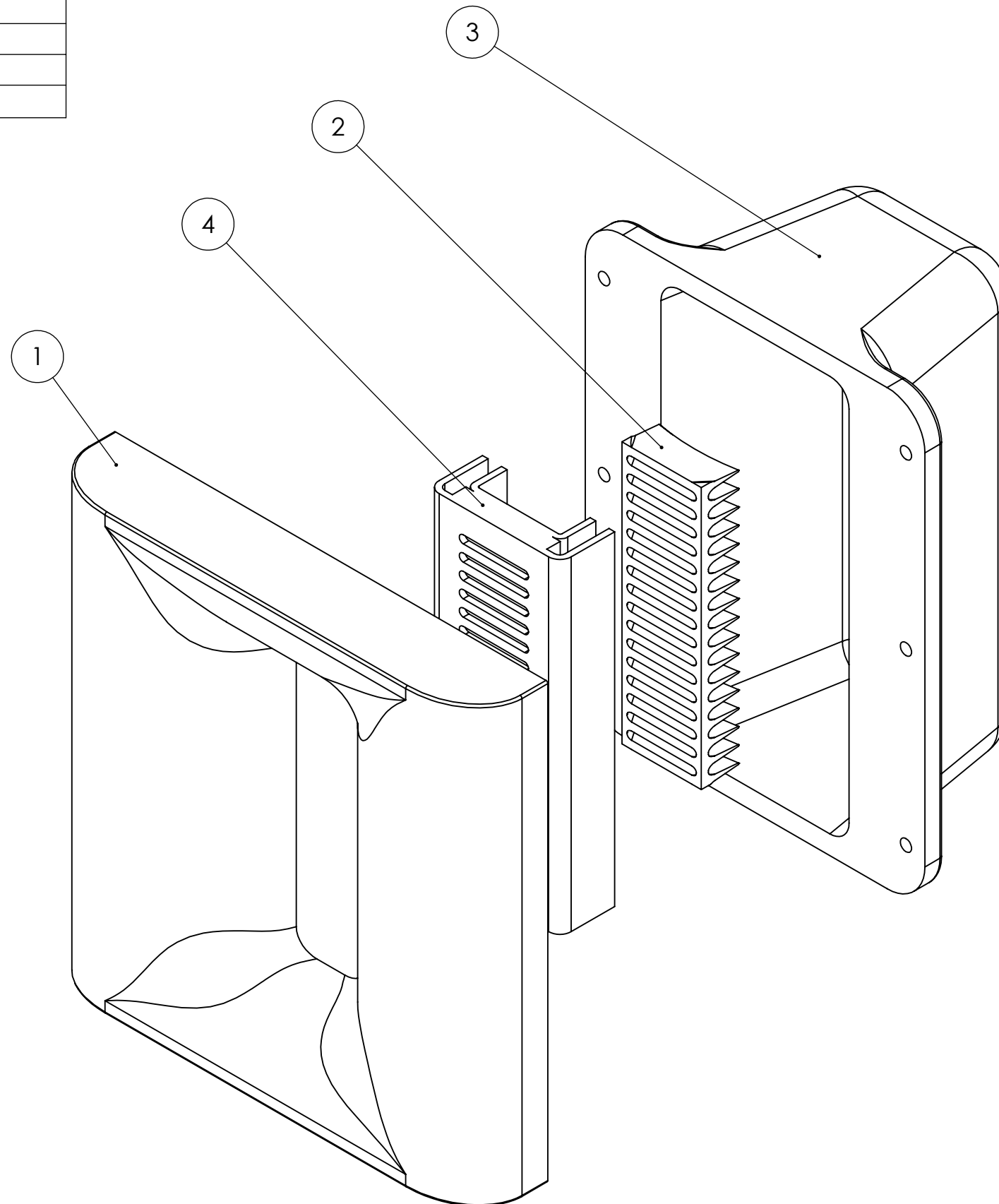


SHEET 1 OF 6

DWG. NO. 1905-02		
MATERIAL		
FINISH		
DRAWN Joseph Crowe	DATE 2023-05-19	REV. 00
SCALE:1:20 DRAWING SIZE ANSI B		

PROPRIETARY
THE INFORMATION CONTAINED IN
THIS DRAWING IS THE SOLE
PROPERTY OF JOSEPH CROWE DIY.

ITEM NO.	PART NUMBER	QTY.
1	1905-01-001	1
2	1905-01-002	1
3	1905-01-004	1
4	DAYTON AMTPRO-4	1

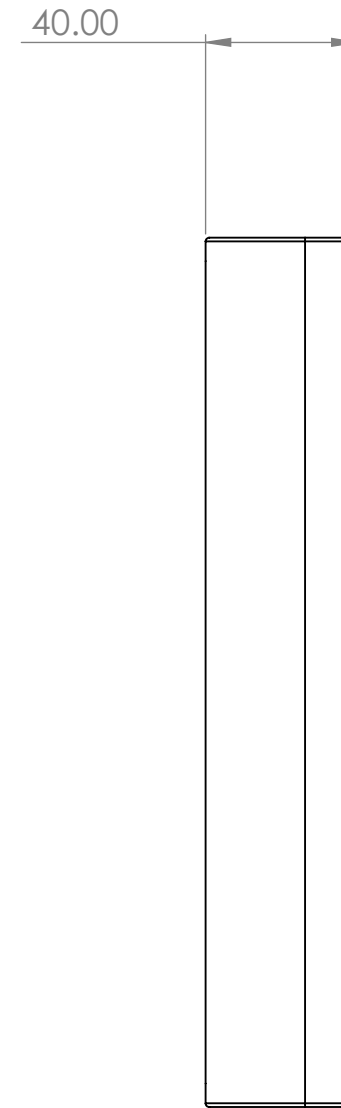
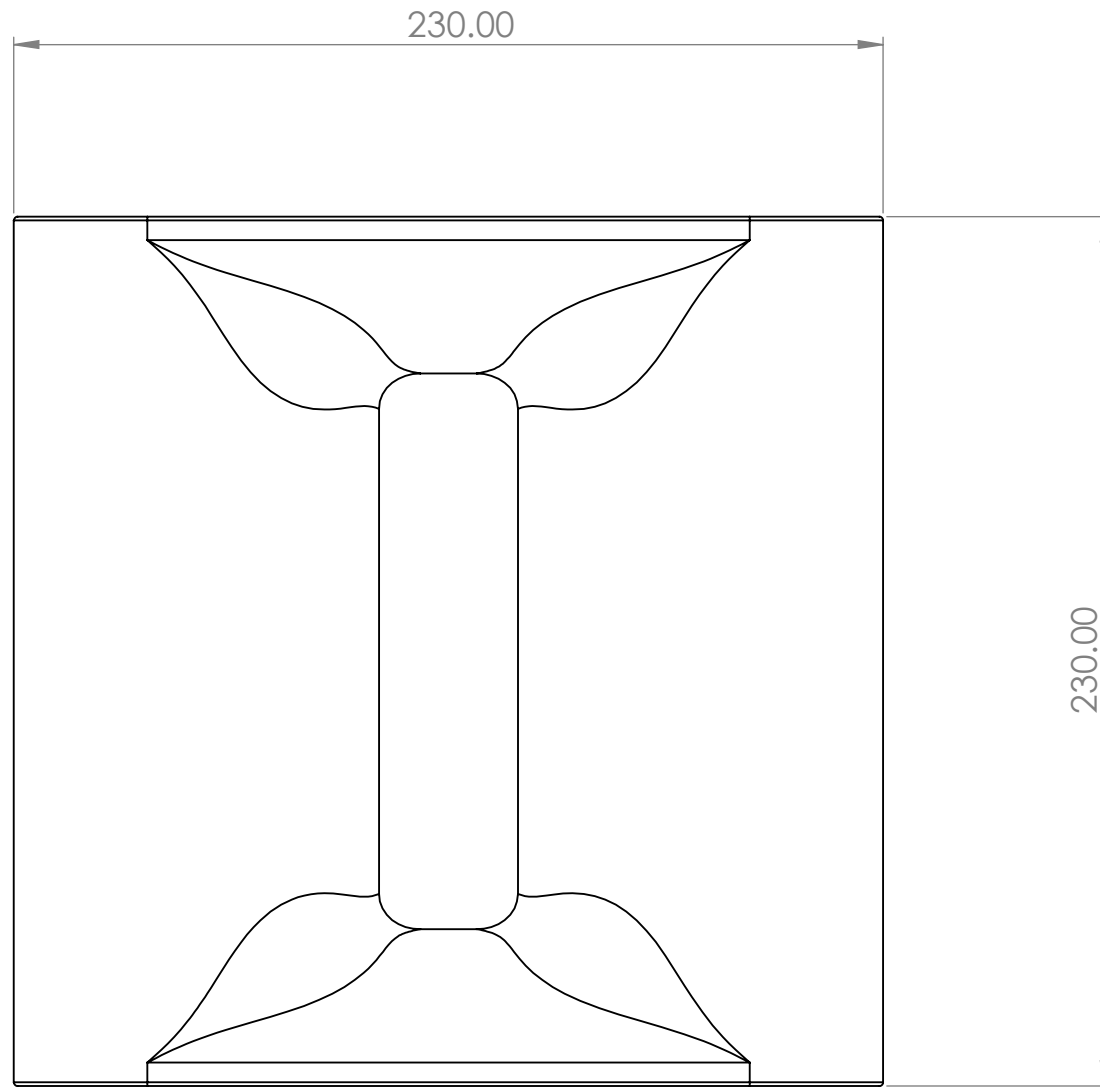


SHEET 2 OF 6

PROPRIETARY

DWG. NO.	1905-01
MATERIAL	
FINISH	
DRAWN	Joseph Crowe
DATE	2023-05-19
REV.	00
SCALE:1:20	DRAWING SIZE ANSI B



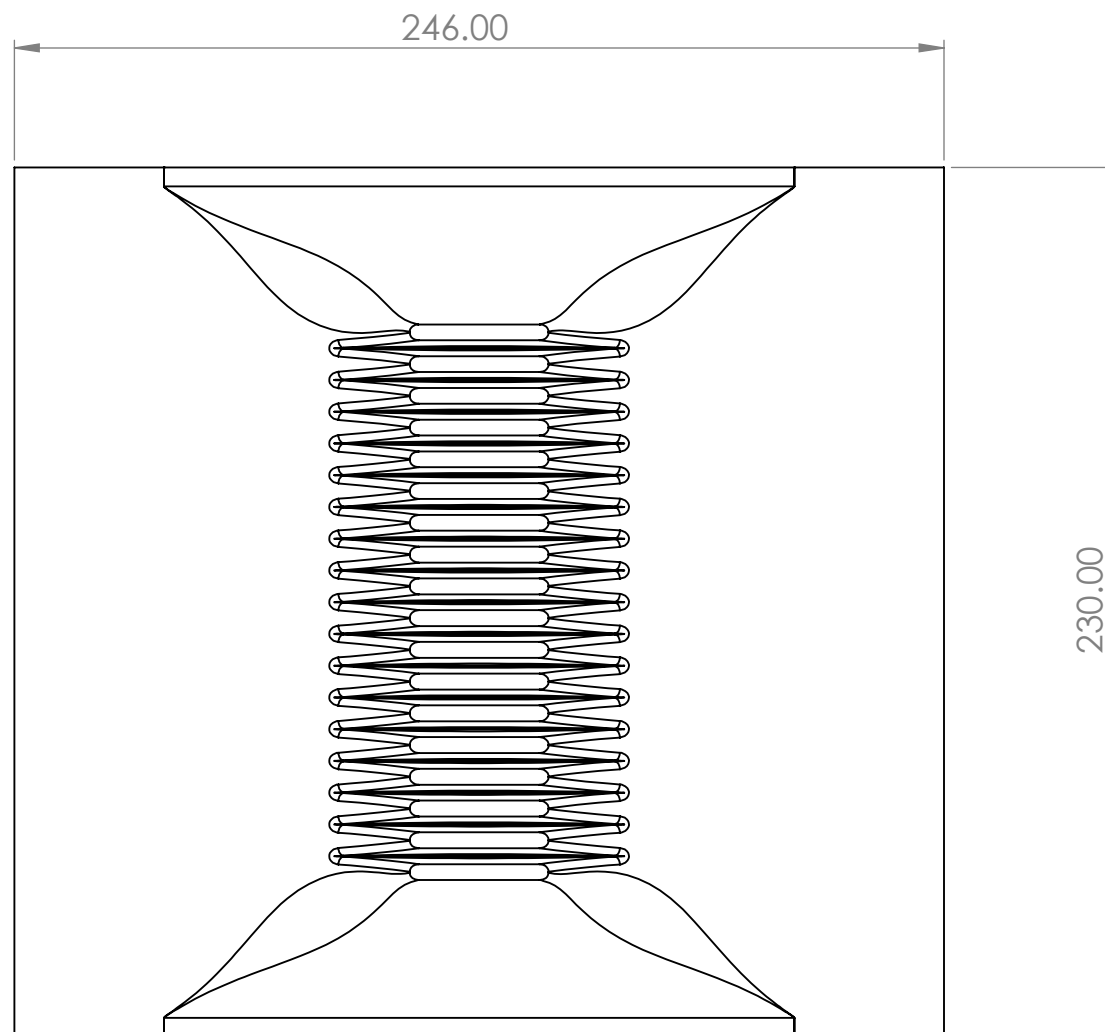
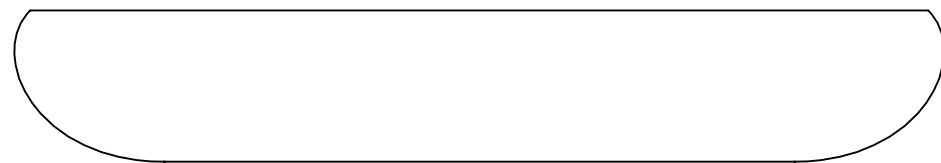


SHEET 3 OF 6

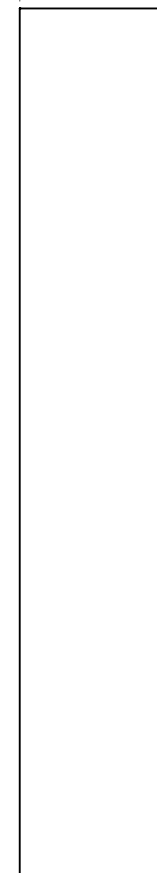
PROPRIETARY

DWG. NO.	1905-01-001		
MATERIAL			
FINISH			
DRAWN	DATE	REV.	
Joseph Crowe	2023-05-19	00	
SCALE:1:2	DRAWING SIZE	ANSI B	





40.00

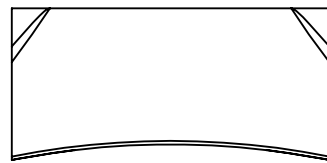


SHEET 4 OF 6

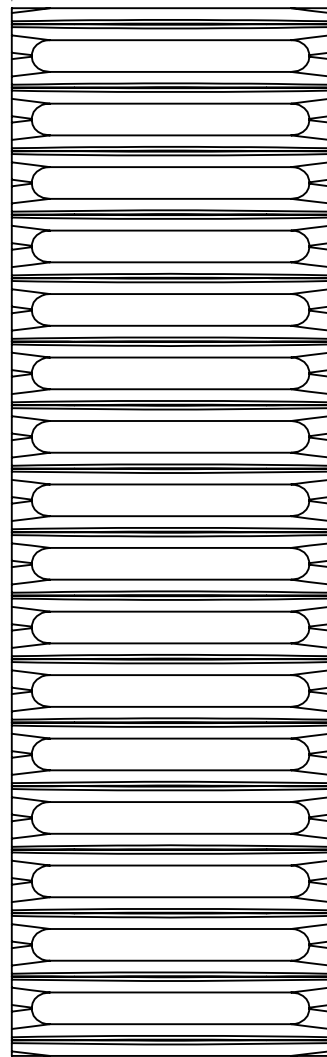
PROPRIETARY

DWG. NO.	1905-01-002		
MATERIAL			
FINISH			
DRAWN	DATE	REV.	
Joseph Crowe	2023-05-19	00	
SCALE:1:5	DRAWING SIZE	ANSI B	

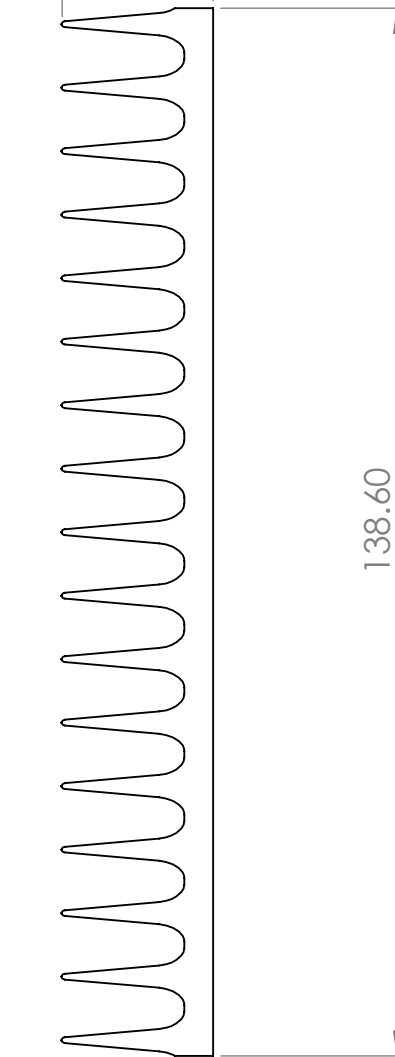




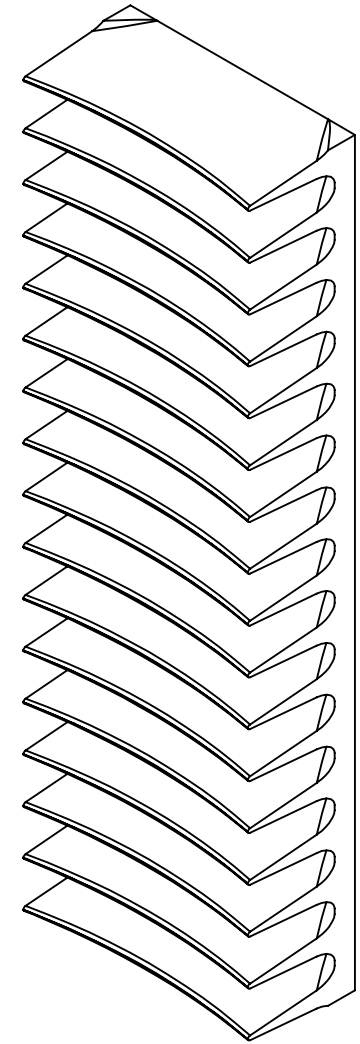
42.00



20



138.60

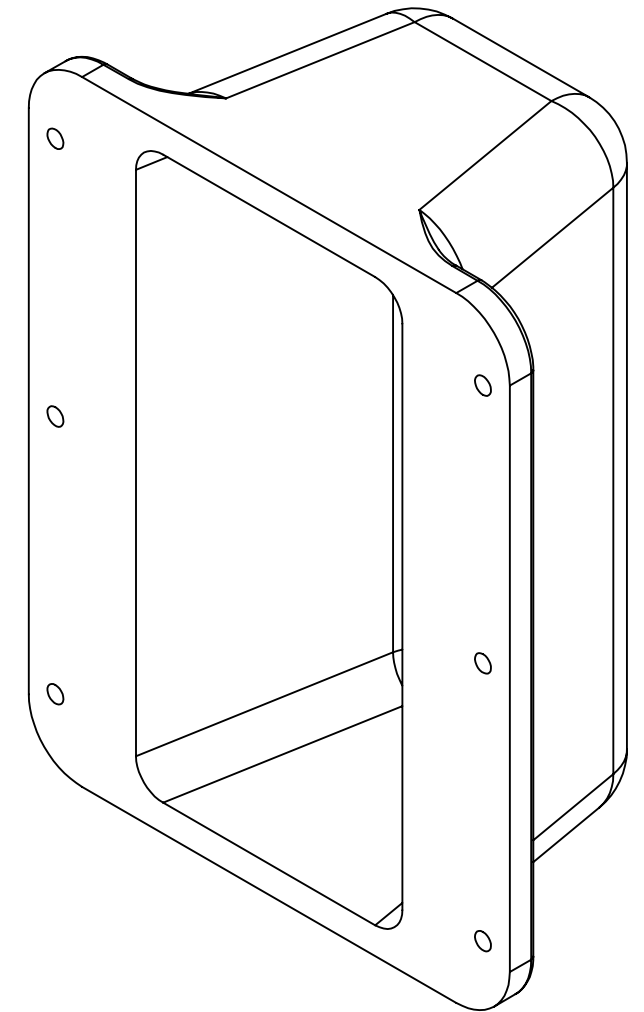
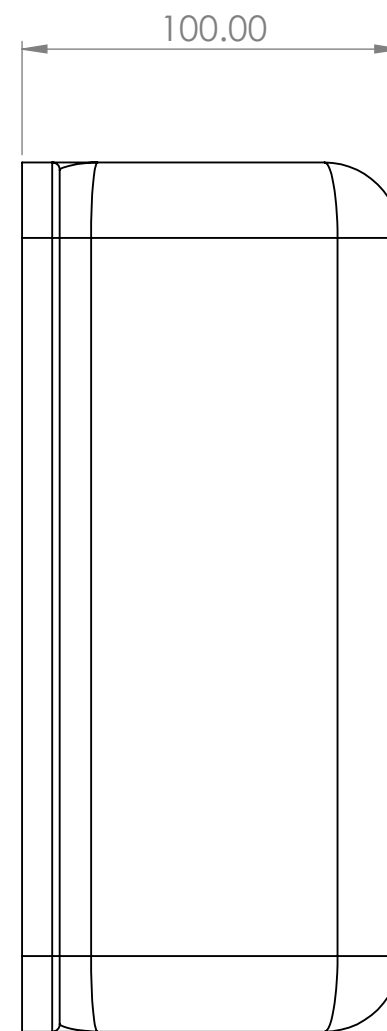
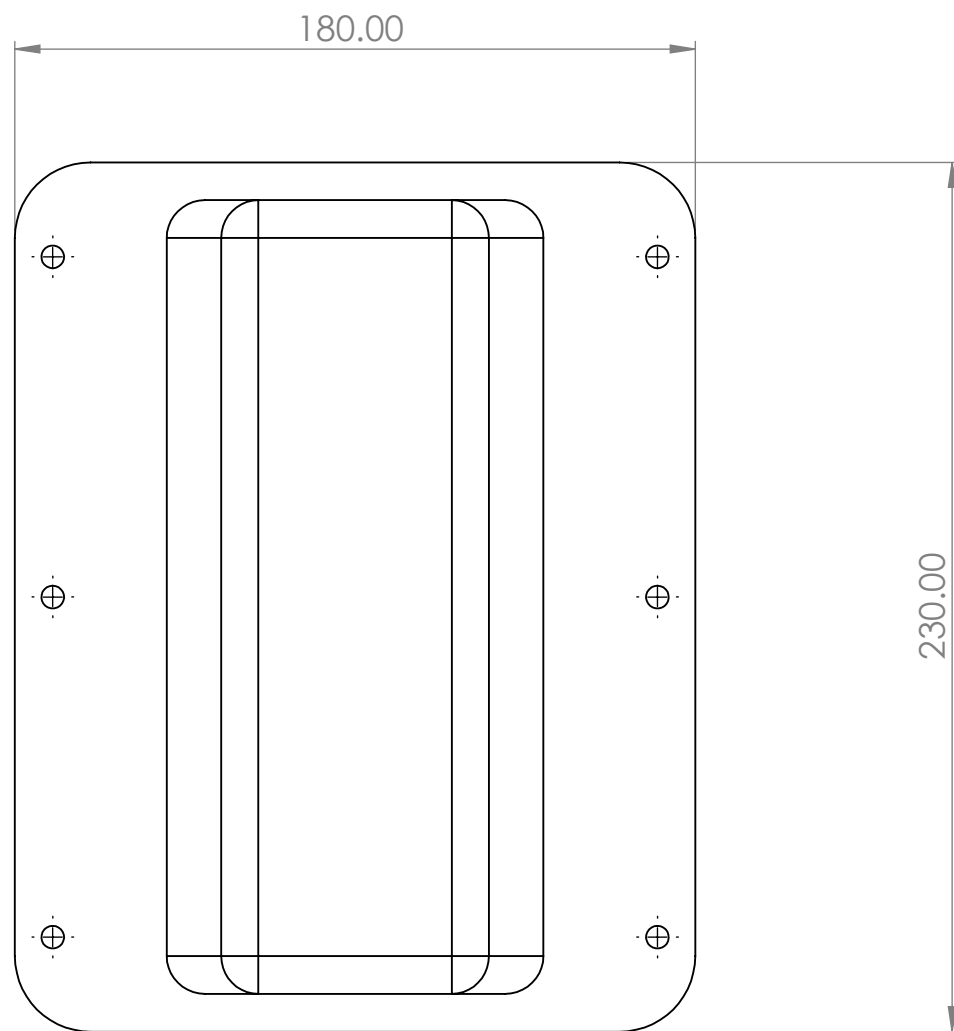
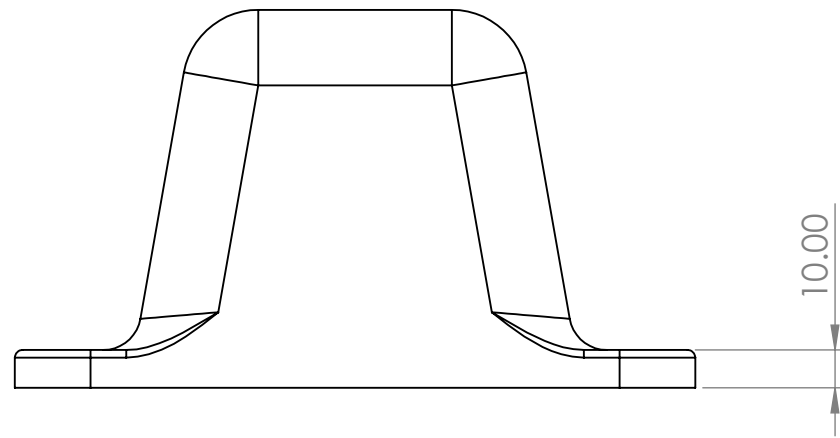


SHEET 5 OF 6

PROPRIETARY

DWG. NO.	1905-01-003		
MATERIAL			
FINISH			
DRAWN	DATE	REV.	
Joseph Crowe	2023-05-19	00	
SCALE:1:5	DRAWING SIZE	ANSI B	





SHEET 6 OF 6

PROPRIETARY

DWG. NO.	1905-01-004		
MATERIAL			
FINISH			
DRAWN	DATE	REV.	
Joseph Crowe	2023-05-19	00	
SCALE:1:5	DRAWING SIZE	ANSI B	

