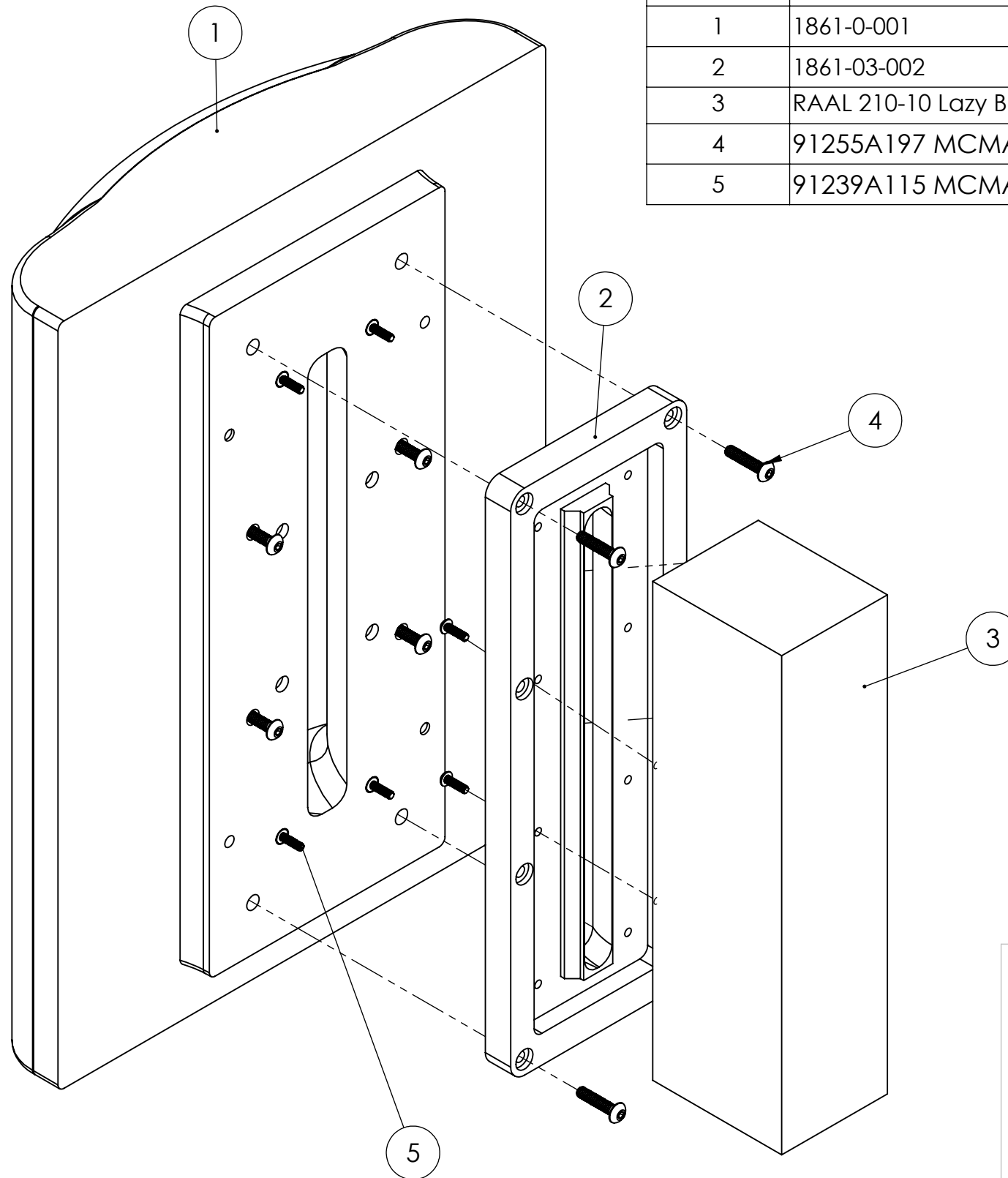


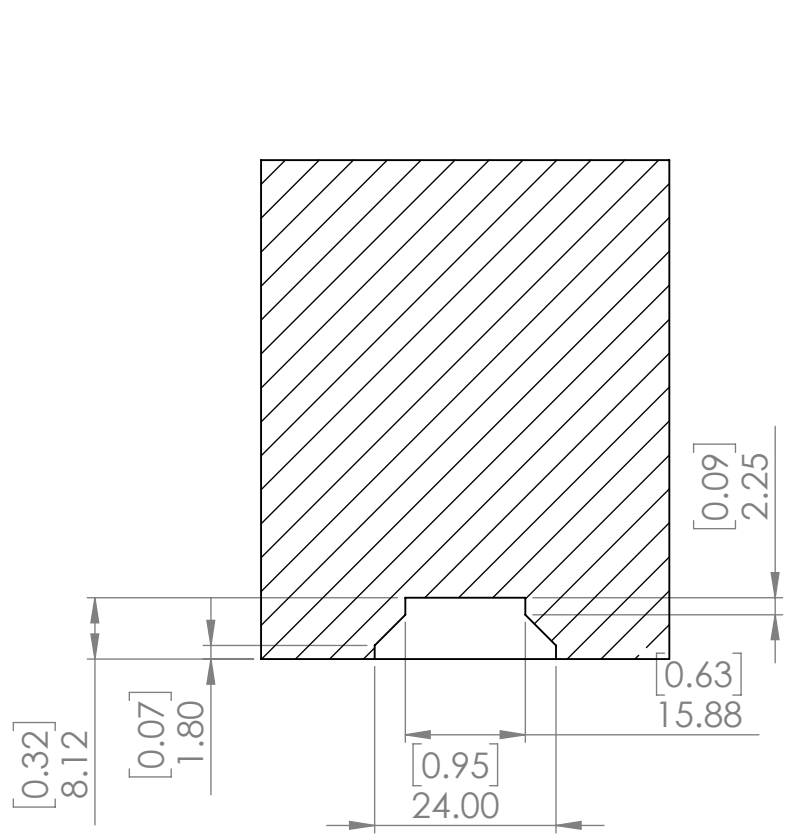
ITEM NO.	PART NUMBER	QTY.
1	1861-0-001	1
2	1861-03-002	1
3	RAAL 210-10 Lazy Boy Ribbon	1
4	91255A197 MCMASTER CARR	8
5	91239A115 MCMASTER CARR	8



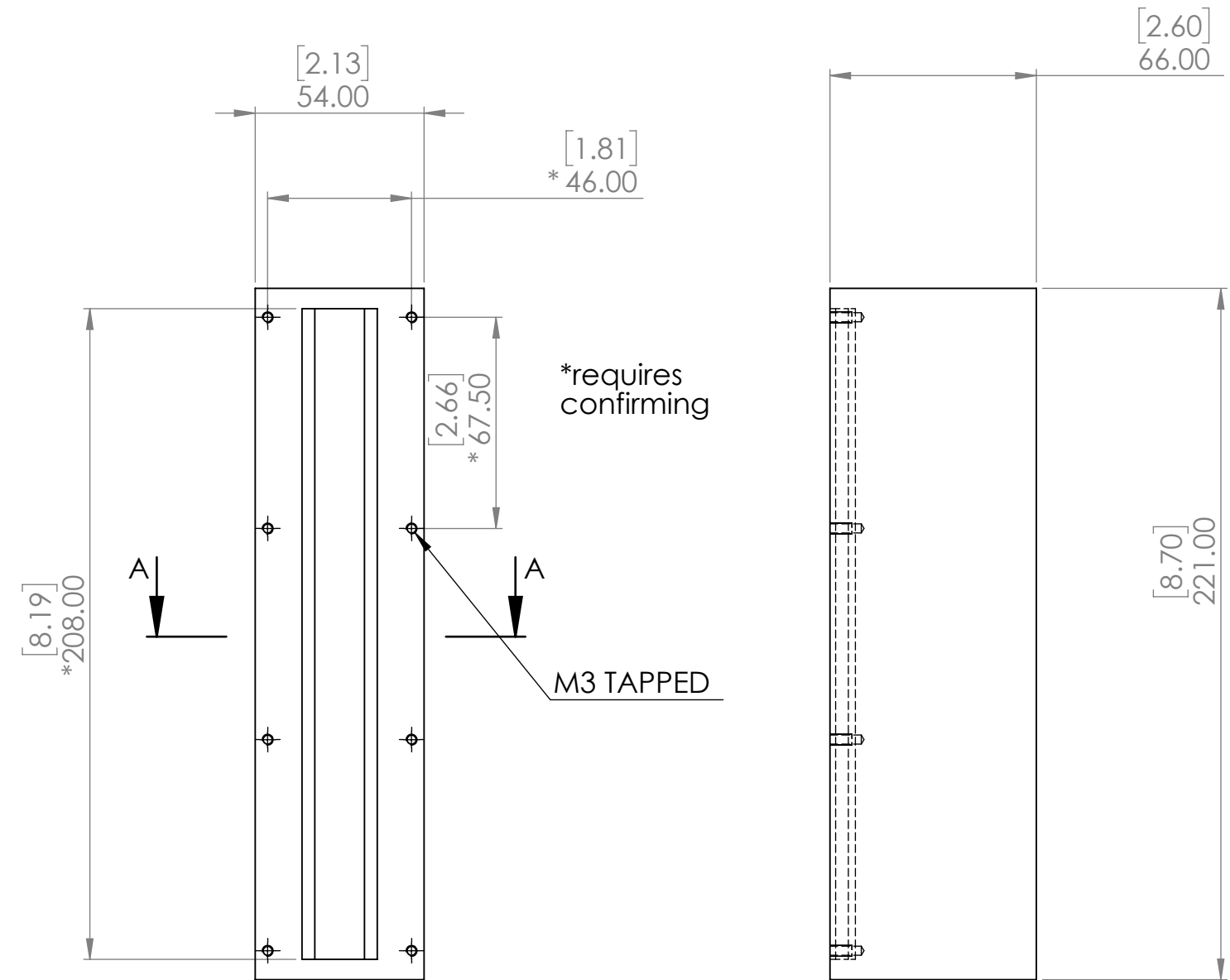
SHEET 1 OF 4

PROPRIETARY

DWG. NO.	1861
MATERIAL	
FINISH	
DRAWN	Joseph Crowe
DATE	1/14/2023
REV.	00
SCALE:1:5	DRAWING SIZE ANSI B



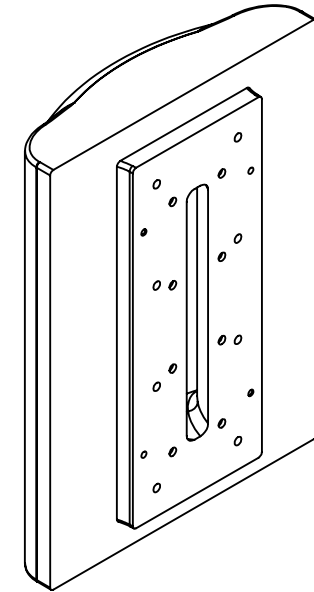
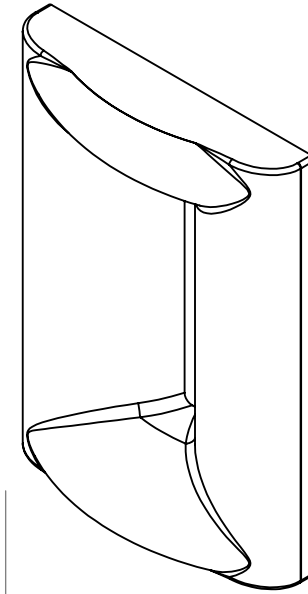
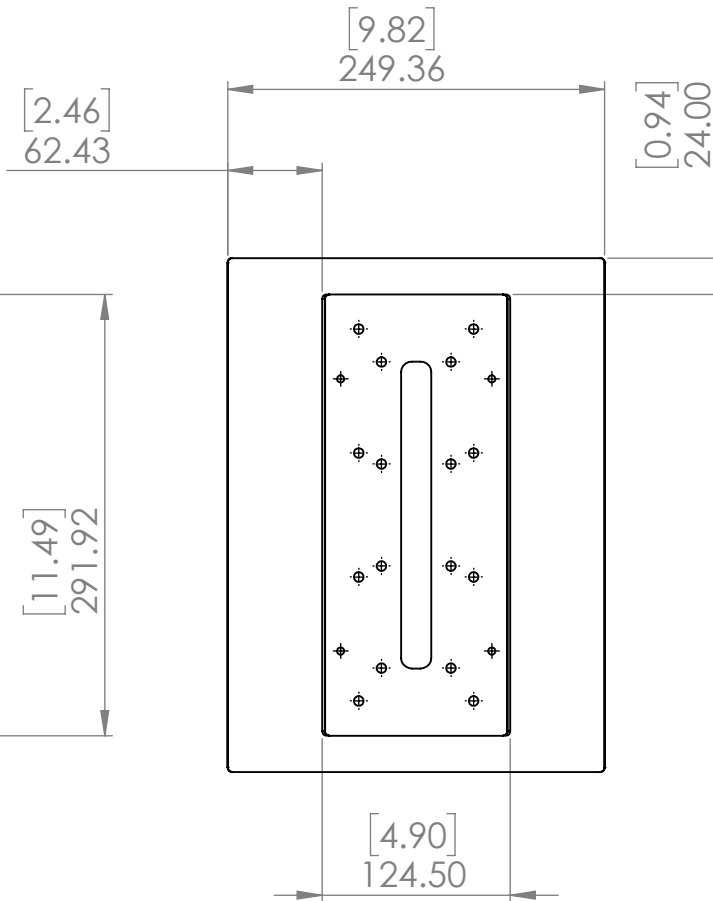
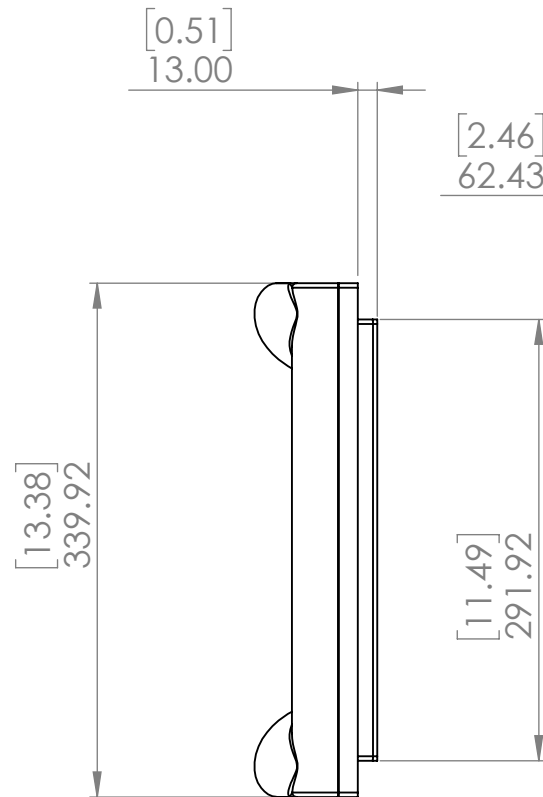
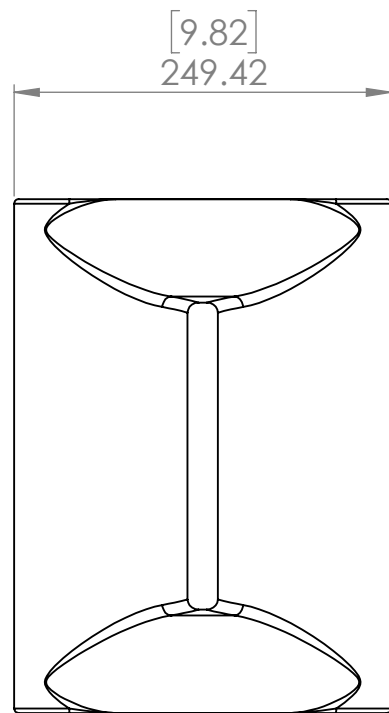
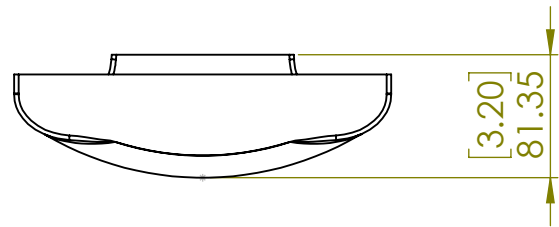
SECTION A-A
SCALE 1 : 1



CONFIRM ALL DIMENSIONS BEFORE MANUFACTURE OF HORN

SHEET 2 OF 4	DWG. NO. 1861		
	MATERIAL		
PROPRIETARY THE INFORMATION CONTAINED IN THIS DRAWING IS THE SOLE PROPERTY OF JOSEPH CROWE DIY.	FINISH		
	DRAWN Joseph Crowe	DATE 1/14/2023	REV. 00
	SCALE:1:5	DRAWING SIZE ANSI B	





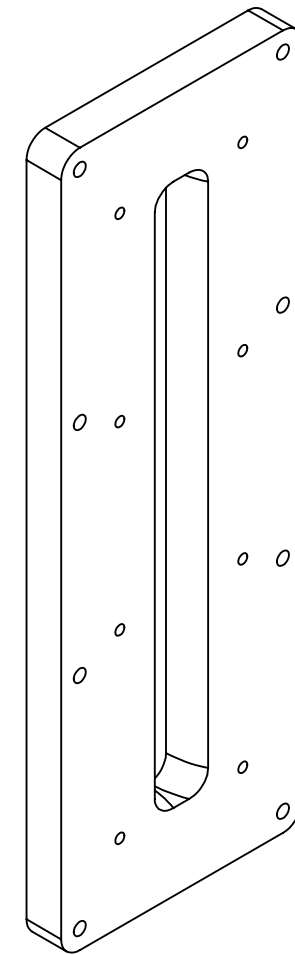
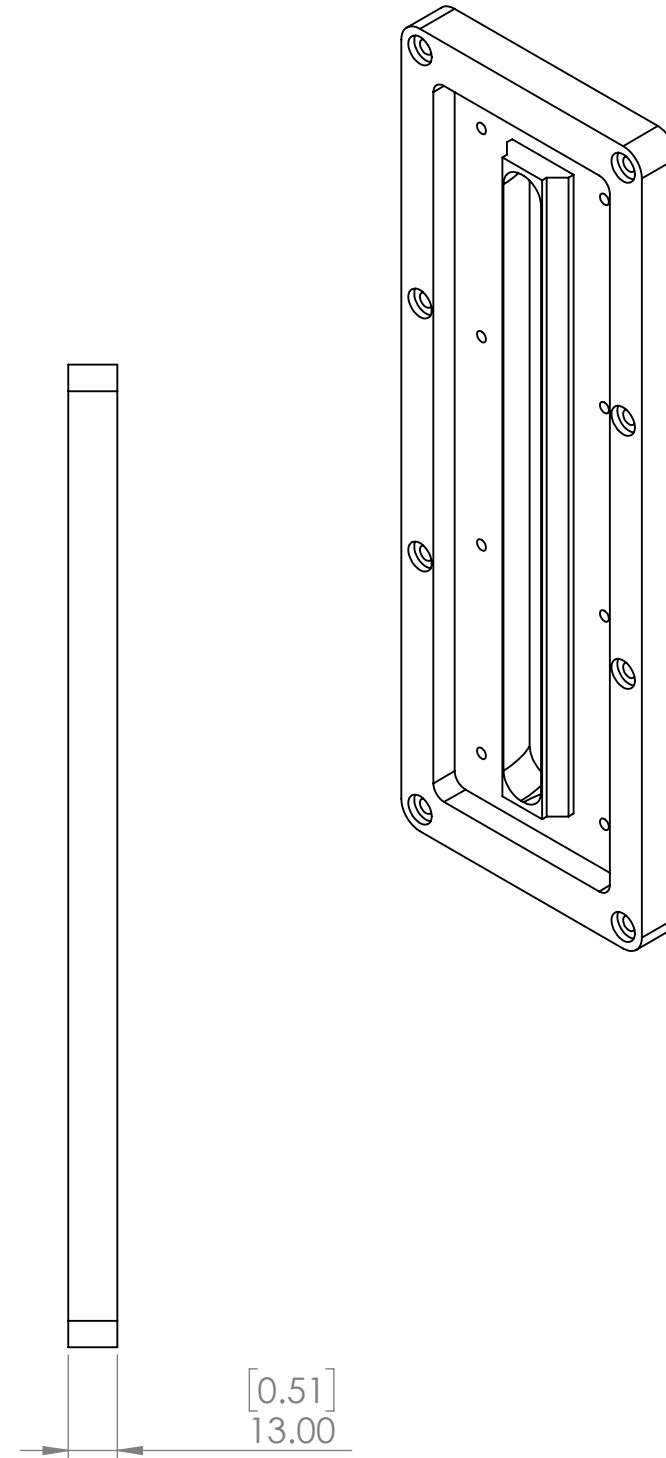
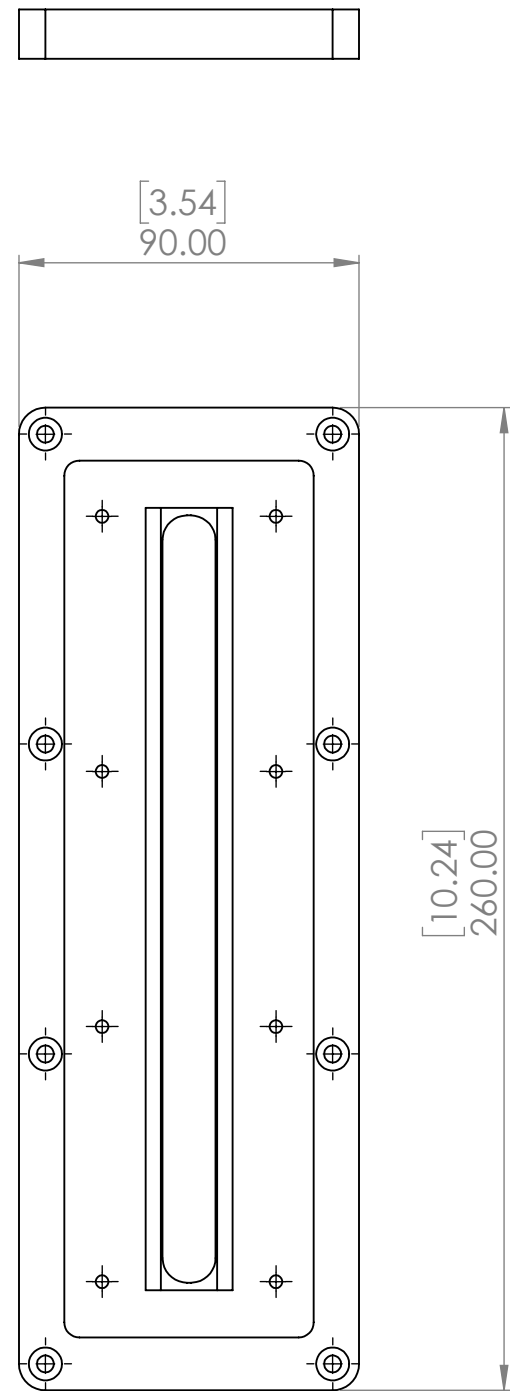
MAKE TO 3D CAD FILE

SHEET 3 OF 4

PROPRIETARY

DWG. NO.	1861-0-001		
MATERIAL			
FINISH			
DRAWN	Joseph Crowe	DATE	1/14/2023
SCALE:1:5	DRAWING SIZE ANSI B	REV.	00





MAKE TO 3D CAD FILE

SHEET 4 OF 4

PROPRIETARY

DWG. NO.	1861-03-002		
MATERIAL			
FINISH			
DRAWN	DATE	REV.	
Joseph Crowe	1/14/2023	00	
SCALE:1:2	DRAWING SIZE	ANSI B	

