

ITEM NO.	SW-File Name(File Name)	DESCRIPTION	QTY.
1	1097-01	CABINET ASSEMBLY	1
2	Dayton Audio RSS390HF-4	WOOFER	2
3	Dayton SPA1000	1,000 WATT PLATE AMPLIFIER	1

REVISIONS			
REV.	DESCRIPTION	DATE	APPROVED
05	Plate Amplifier Added to Rear Panel	March 30,2020	TJC



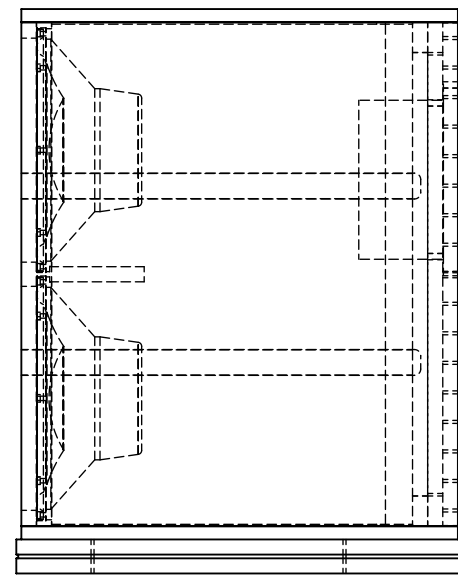
574  
[22.598]



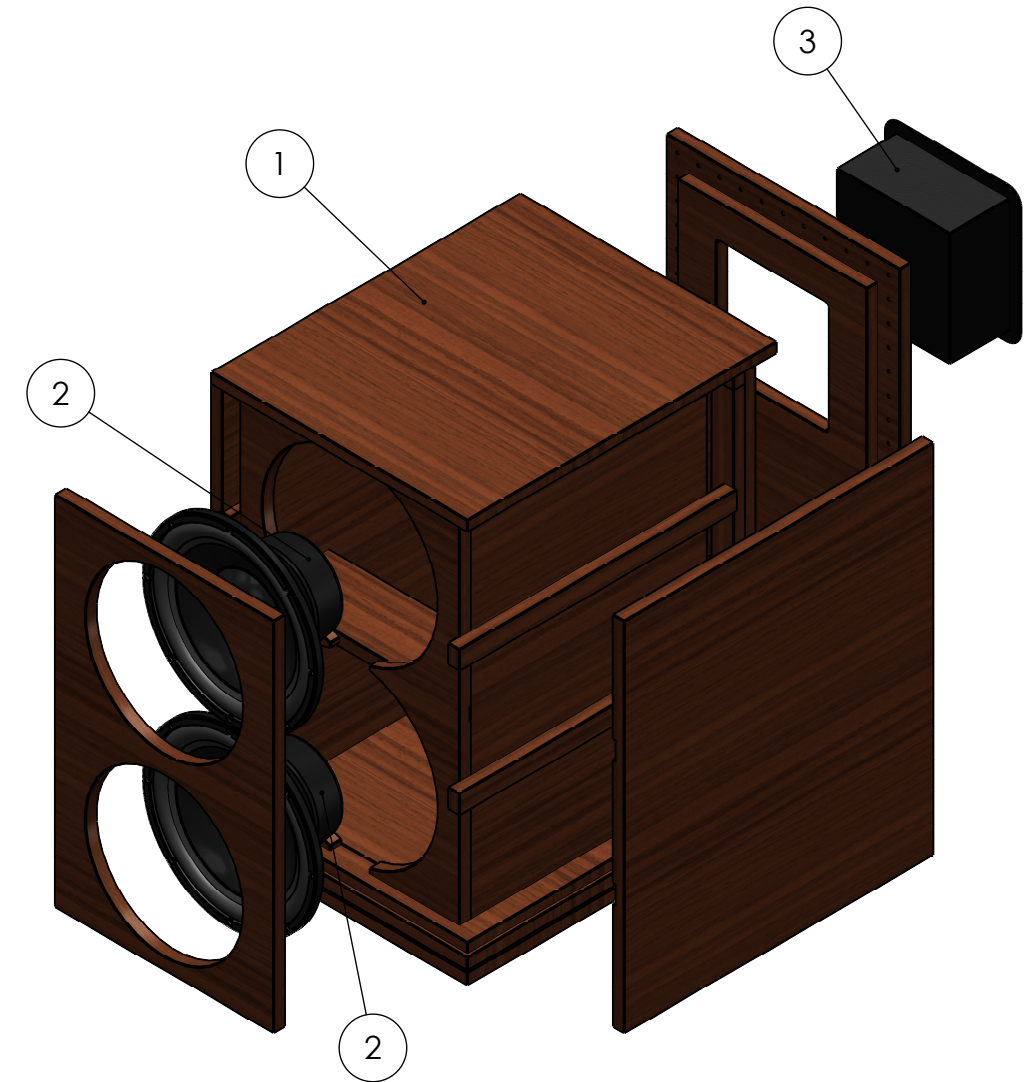
589  
[23.189]

896  
[35.276]

693  
[27.283]



709  
[27.913]



BASS CABINET			
SHEET 1 OF 13	DWG. NO.	1097	
	MATERIAL		
	FINISH		
<small>PROPRIETARY</small> <small>THESE DRAWINGS ARE FOR THE DIY ENTHUSIAST ONLY (PERSONAL USE). DUPLICATION FOR COMMERCIAL PURPOSES IS STRICTLY PROHIBITED.</small>	DRAWN	DATE	REV.
	Joseph Crowe	2020-05-18	06
SCALE:1:20   DRAWING SIZE ANSI B			

