

Specifications

Frequency: 433.39 MHz.
Security: 128-bit AES encryption.
Range: up to 50 metres.
Battery life: up to 10 years.
Battery type: 14500 mA battery.



Wireless Vehicle Detection System

EL00IG and EL00IG-RAD

Installation in 3 simple steps

STEP 1:

Coding e-LOOP into e-Trans 50

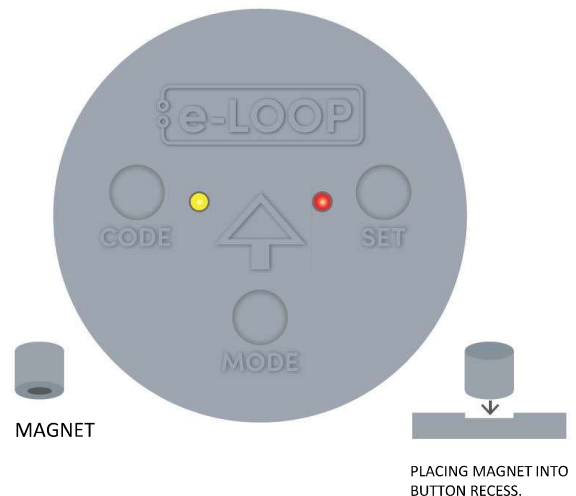
Coding e-LOOP without magnet

1. Power up the e-TRANS-50 and hold the e-Loop within 10cm of the transceiver's antenna.
2. Now press and release the CODE button on the e-Trans 50. The yellow and red LEDs will flash on the e-Loop, and the blue LED on the e-TRANS-50 will flash 3 times. The systems are now paired.

NOTE: For coding e-TRANS-200 LCD transceivers, refer to e-TRANS-200 manual.

Coding e-LOOP with magnet

1. Power up the e-TRANS-50, then press and release the CODE button. The blue LED on the e-TRANS-50 will light up.
2. Now place the magnet on the CODE recess on the e-Loop – the yellow LED will flash 3 times, and the blue LED on the e-Trans 50 will flash 3 times. The systems are now paired and you can remove the magnet.



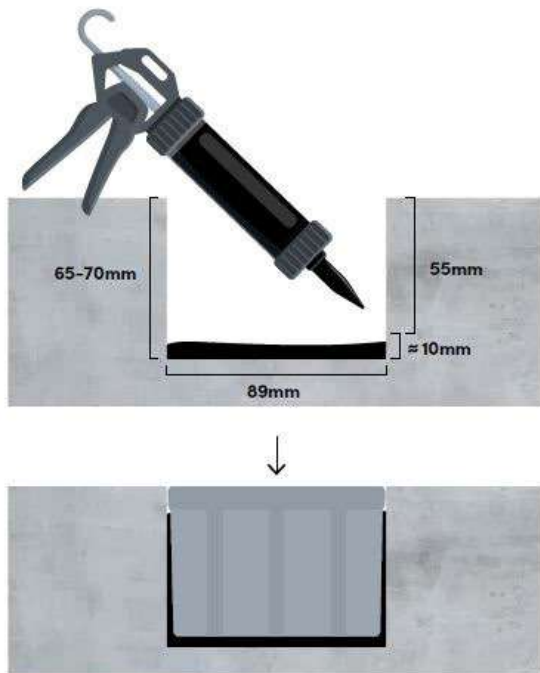
STEP 2:

Fitting e-LOOP

(Refer to diagram below)

1. Drill 3 ½ inch (89mm) hole 65-70mm deep. Ensure hole is clean and dry before fitting.
2. Measure down before inserting the e-LOOP to ensure it will fit flush with the driveway surface, then pour sikaflex or similar compound into the base of hole.
3. Insert the e-LOOP by pushing down until flush with driveway surface.

NOTE: Never fit near high voltage cables, this can affect the e-LOOP's detection capability.



STEP 3:

Calibrate e-LOOP

1. Move any metal objects away from the e-LOOP.
2. Place magnet into the SET button recess on the e-LOOP until the red LED flashes twice, then remove the magnet.
3. The e-LOOP will take about 5 seconds to calibrate and once complete, the red LED will flash 3 times.

The system is now ready.

NOTE: After calibration, you may get an error indication.

ERROR 1: Low radio range - yellow LED flashes 3 times before red LED flashes 3 times.

ERROR 2: No radio connection - yellow and red LED flashes 3 times before red LED flashes 3 times.

Uncalibrate e-LOOP

1. Place magnet into the SET button recess until red LED flashes 4 times, e-LOOP is now uncalibrated.

Changing mode

You can change the mode by using the e-TRANS-200 LCD transceiver or diagnostic remote ED00R – refer to manual. **NOTE:** This menu cannot be accessed via the e-TRANS-50 Transceiver.

The e-LOOP EL00IG is set to EXIT mode (this can't be changed).

Parameters that can be altered:

1. Activation detection level.
2. X, Y, Z axis sensitivity.

Parameters that can be altered on EL00IG-RAD:

1. Mode is set to PRESENCE but can be changed to EXIT mode. **NOTE:** do not use presence mode as a personal safety device.
2. Activation detection level
3. X, Y, Z axis sensitivity
4. Radar read time
5. Release trip point
6. Start lens detection range
7. Measure lens detection range
8. Radar trip sensitivity
9. Radar confirm ON/OFF