

TCL LED SERIES



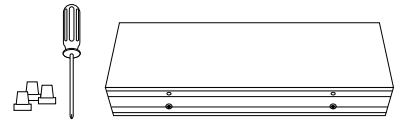
Installation Instructions

Voltage

This sign operates within an input range of 120VAC to 277VAC.

What You Need:

- Phillips Head Screw Driver
- Control Switch (*ordered separately*)
- Appropriate Wall Fasteners
- Wire Connectors
- Pencil
- Level



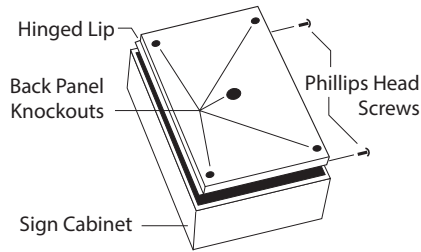
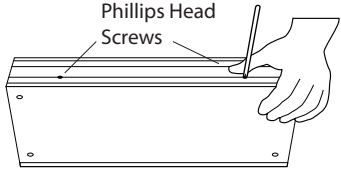
Always turn off the power prior to installation.



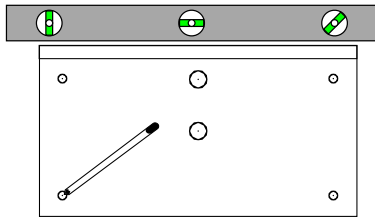
Be sure any metal debris cleared out of the cabinet.

Installation Steps

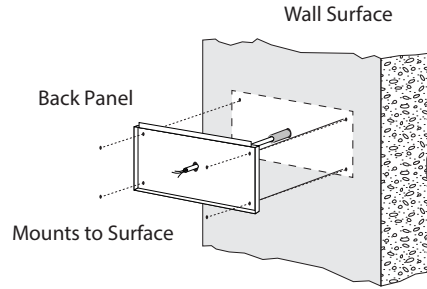
- Using a Phillips head screw driver, remove the two screws on the bottom of the cabinet. With the screws removed the back will lift off the cabinet. Remove the four mounting knockouts and the center knockout for your power conduit.



- Place the back panel on the wall surface using a level to make sure it's straight. Use a pencil to mark the locations of the mounting holes on your wall surface. Drill your wall surface. The diameter of the (4) four corner mounting knockouts is 1/4" and the conduit knockout is 7/8".



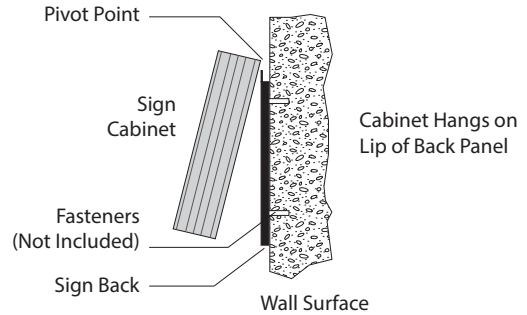
- Pull your electrical through the back panel and attach the back to the wall surface using appropriate fasteners.



Be sure any metal debris cleared out of the cabinet.

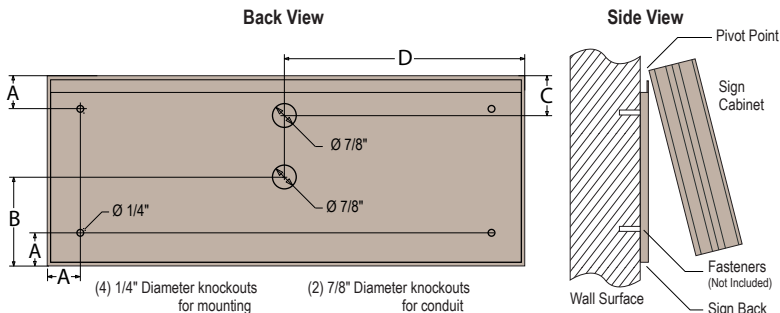
- Make your electrical wiring connections. See the other side of this page.

- With the electrical connections made, hang the sign cabinet on the lip of the back panel you mounted to the wall. Finish your electrical connection to the sign by reinstalling the pigtail connector to the power supply. The connector is "keyed" and can only be installed in one orientation. Close the cabinet and replace the two Phillips head screws you removed in step one.



Wall Mount Installation

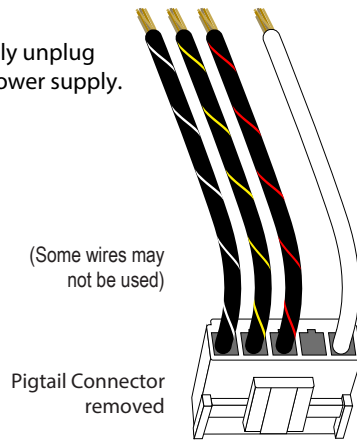
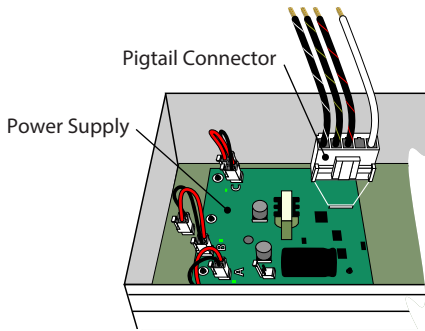
All dimensions measured from the edge of the cabinet



Cabinet High x Wide (Inches)	Dimension A Mounting Holes Vertical & Horizontal	Dimension B Center 7/8" Knock-out Vertical	Dimension C Top 7/8" Knock-out Vertical	Dimension D Center Knock-outs Horizontal (Half of Sign Width)
7 x 7	1 1/4"	3 1/2"	1 1/4"	3 1/2"
7 x 18	1 1/4"	2"	1 1/4"	9"
7 x 26	1 1/4"	3 1/2"	1 1/4"	13"
7 x 34	1 1/4"	3 1/2"	1 1/4"	17"
7 x 42	1 1/4"	3 1/2"	1 1/4"	21"
10 x 26	1 1/4"	5"	1 1/4"	13"
12 x 12	1 1/4"	6"	1 1/4"	6"
14 x 18	1 1/4"	7"	1 1/4"	9"
14 x 26	1 1/4"	7"	1 1/4"	13"
14 x 34	1 1/4"	7"	1 1/4"	17"
14 x 42	1 1/4"	7"	1 1/4"	21"
18 x 18	1 1/4"	9"	1 1/4"	9"

Making your Wiring Connections

1. To make your electrical connections easier, gently unplug the supplied wired pigtail connector from the power supply.



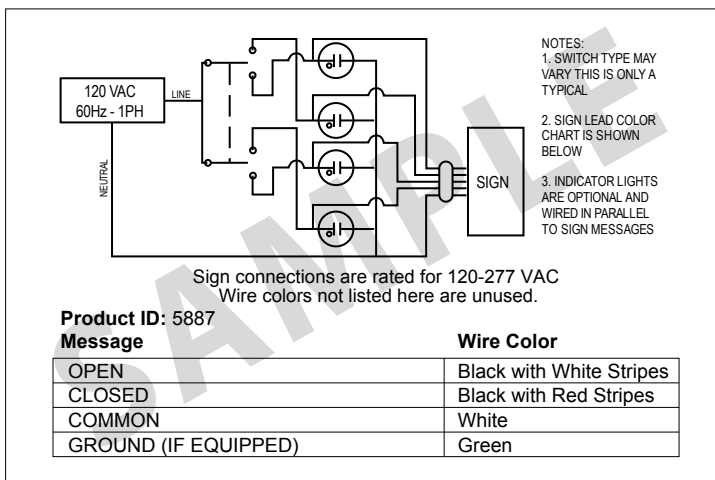
2. With your incoming power already running through the mounted back you can easily make all connections to the pigtail using wire connectors. (See table below for general wiring guidelines)
3. Plug the pigtail connector back into the power supply to finish off the electrical part of your installation. The connector is "keyed" and can only be installed in one orientation
4. You're done with the electrical! Time to close up the sign by pushing the cabinet closed and replacing the two screws you removed from the bottom of the cabinet.



Note: Make appropriate wiring connections per local code.

Sample Wiring Label

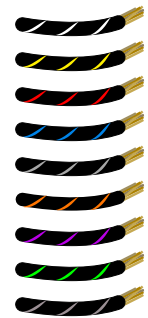
Wiring Label Sample for a typical 2 Message OPEN | CLOSED Sign



Note: Refer to the wiring label inside the sign for the specific instructions on wiring your sign. Some wires may not be used.

General Wiring Guidelines*

Typical Wire (Lead) Colors
Black with White Stripes
Black with Yellow Stripes
Black with Red Stripes
Black with Blue Stripes
Black with Gray Stripes
Black with Orange Stripes
Black with Purple Stripes
Black with Green Stripes
Black with Brown Stripes



*Neutral is solid White and Ground (if equipped) is solid Green.



Note: Make appropriate wiring connections per local code.

Note: Any holes drilled into sign cabinet MUST be sealed. Failure to do so may cause a short and void warranty.

Note: This sign is intended to be installed in accordance with the requirements of Article 600 of the National Electric Code and/or other applicable local codes. This includes proper grounding and bonding of the sign.

Note: This unit contains a built-in CLASS 2 LED driver.

WARNING - Risk of Fire or Electric Shock. Do Not interconnect output terminations.

AVERTISSEMENT - Risque d'incendie ou de choc électrique. Ne pas interconnecter les terminaisons de sortie.

Normal Operation

There is one (1) LED on the power supply located close to the connector with the Red and Black wires. This LED marked V OUT, will illuminate green when 120 - 277VAC power is applied to the Pigtail.

Check the LED on each power supply since there may be more than one power supply per message.



Note: Transformer on power supply converts 120 - 277VAC to 12V.

